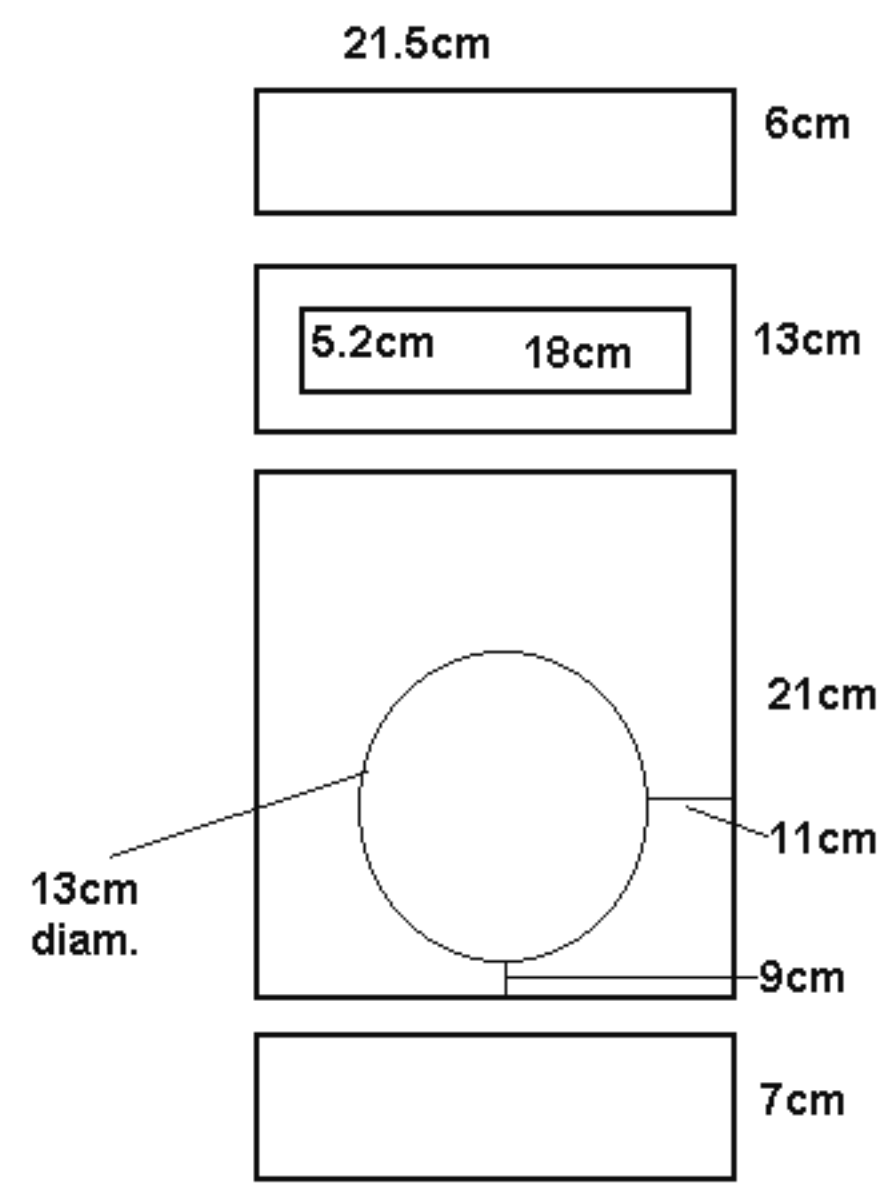


SIDE PANEL (x2)



CENTRE PANELS