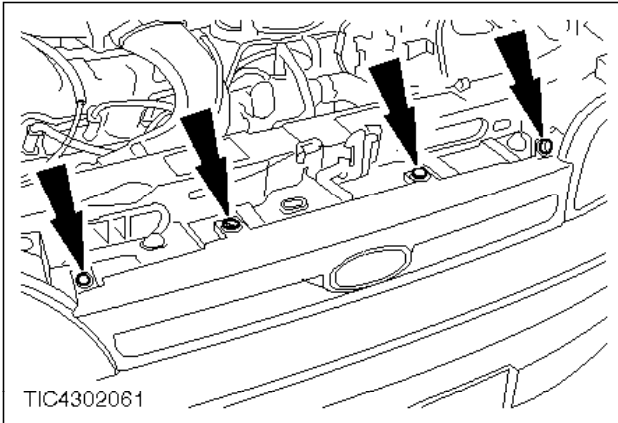


Bumper Assembly - Front - Remove And Install (43 423 0)

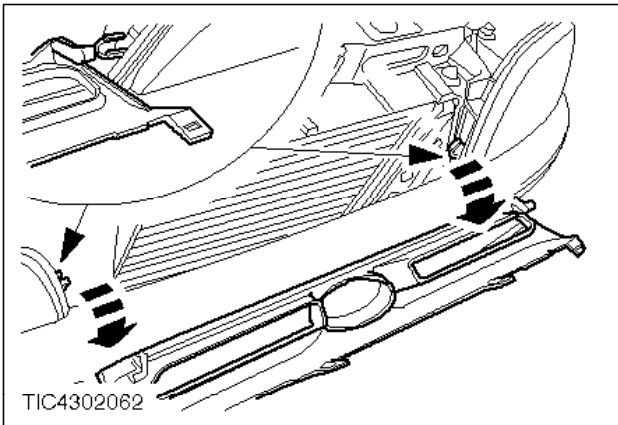
Remove



CAUTION:
Disconnect the battery negative lead.

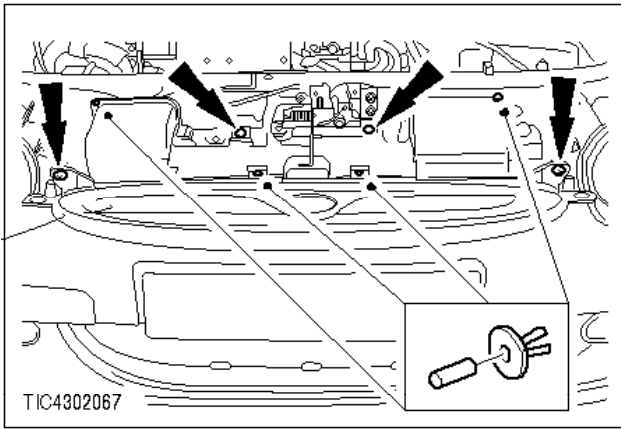


1. Remove the Torx retaining screws (four screws).



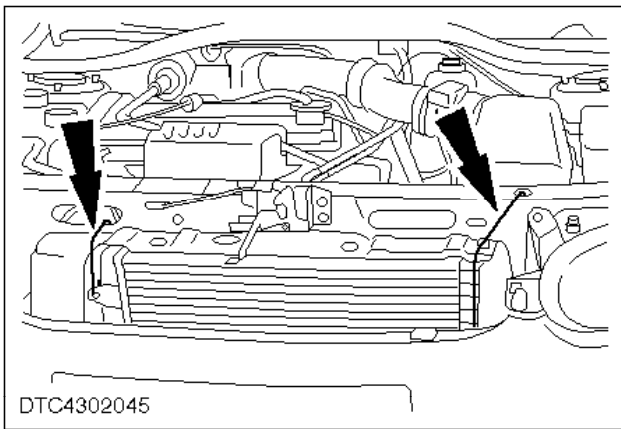
(Up To '93 MY)

2. Lift and remove the grille.



Grille - Radiator ('95½ My Onwards) - Remove (43 232 0)

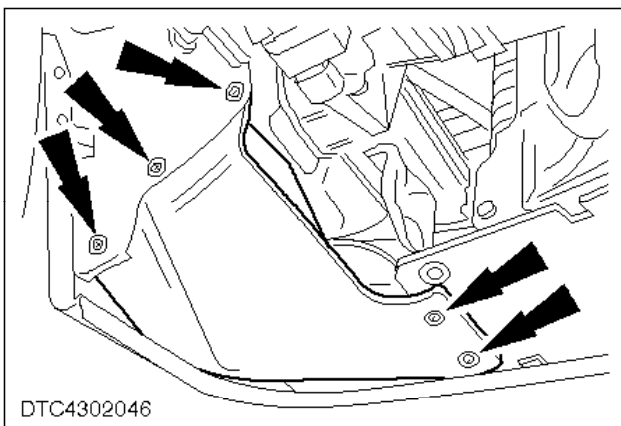
- 3. Remove the air deflector (four clips and four Torx screws).



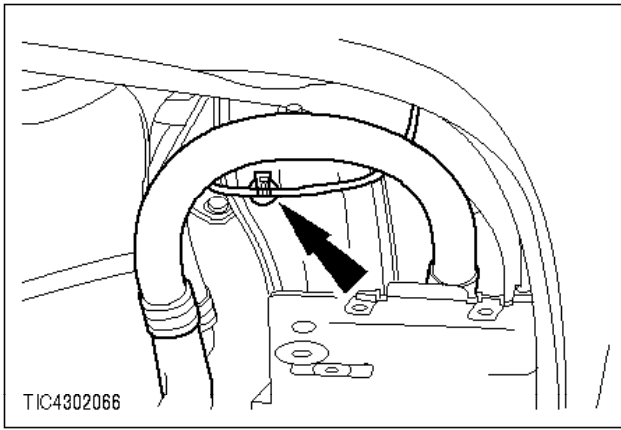
CAUTION:

Care should be taken not to damage paintwork when securing the radiator.

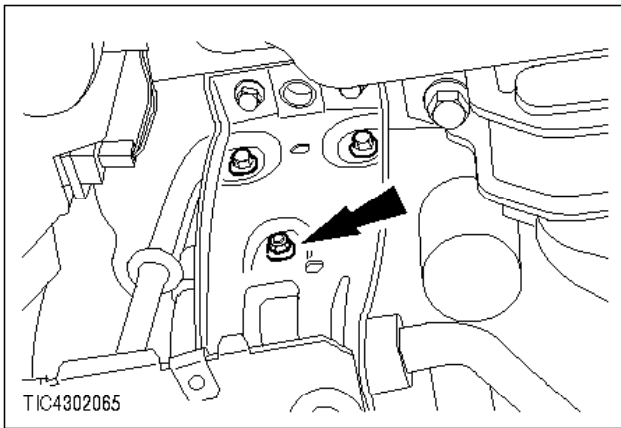
- 4. Secure the radiator to the hood slam panel.
- 5. Raise the vehicle.



- 6. Remove the left and right-hand lower wheelhouse liner extension (five screws each side).

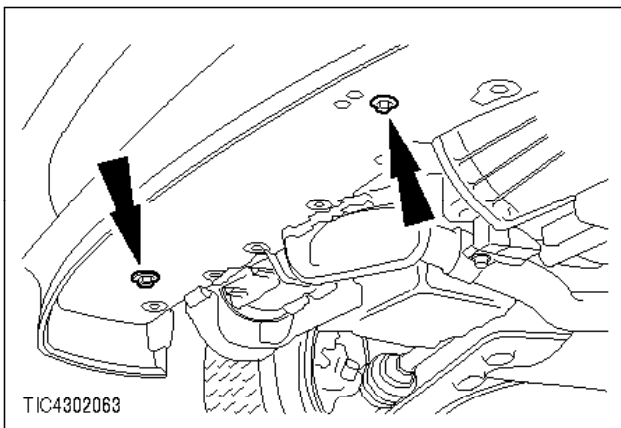


- 7. Detach the hose and cable from the right-hand radiator support.

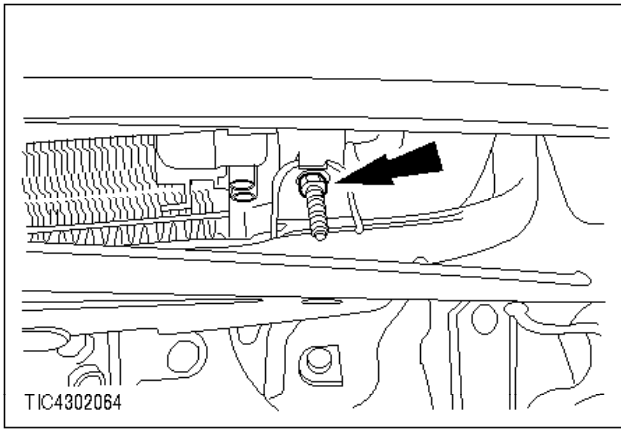


Vehicles fitted with Air Conditioning

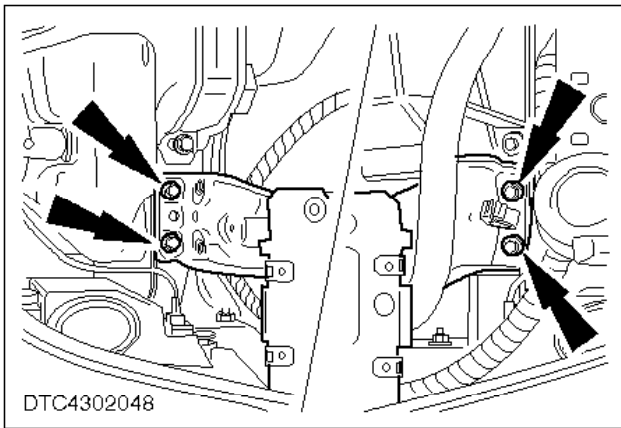
- 8. Detach the A/C condenser.



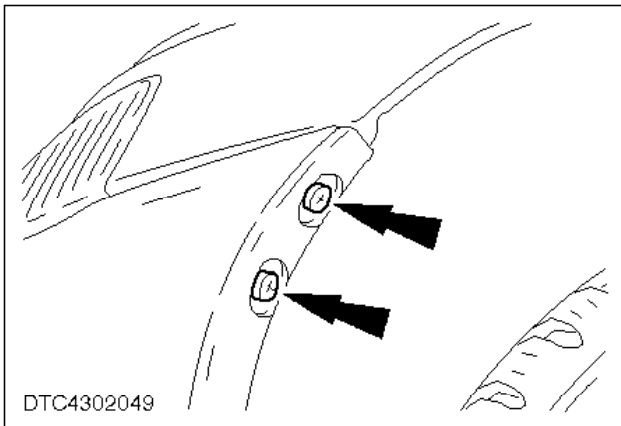
- 9. Remove the splash shield nuts.



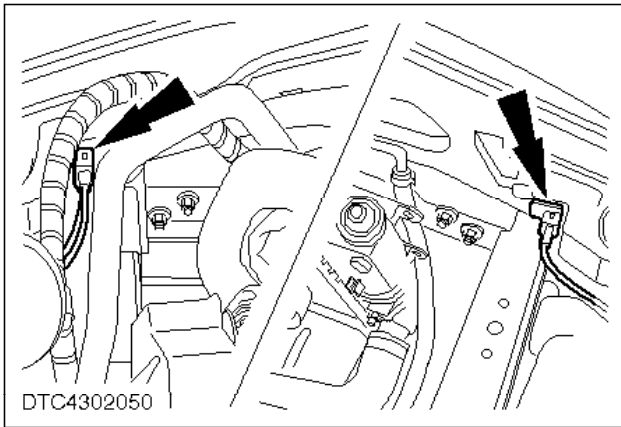
- ⌚ 10. Carefully prise down the splash shield and remove the nuts (one each side).



- ⌚ 11. Remove the left and right-hand radiator support (four bolts).



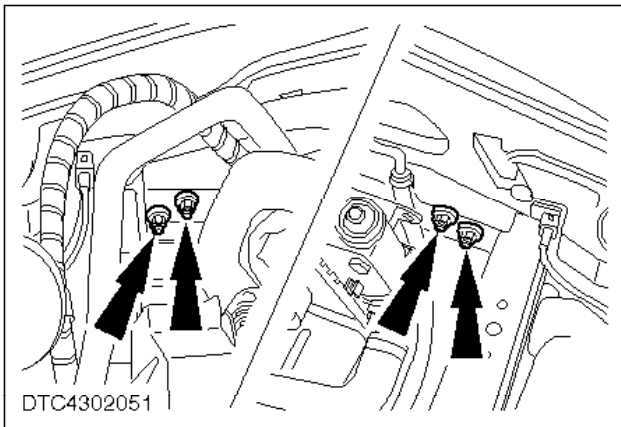
- ⌚ 12. Remove the bumper retaining screws from the left and right-hand wheelhouse.



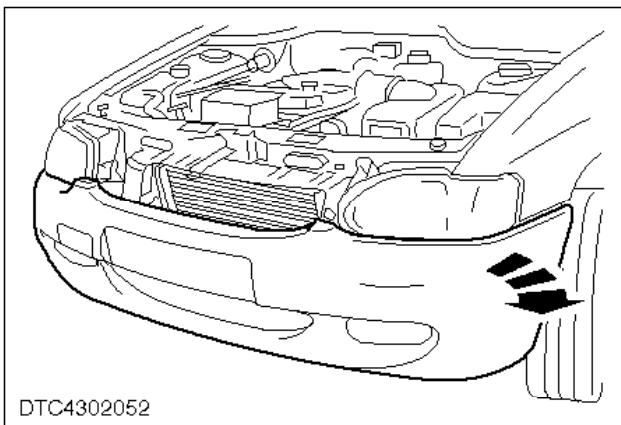
CAUTION:

When disconnecting the multiplug do not pull on the wiring; pull on the multiplug body.

- ⦿ 13. Disconnect the multiplugs on the bumper mounted lamps.



- ⦿ 14. Remove the bumper retaining nuts (four nuts).



- ⦿ 15. Remove the bumper assembly.

Install

16. Refit the components in reverse order.
Grille - Radiator (Up To '93 MY) - Install (43 232 0)
Grille - Radiator ('95½ MY Onwards) - Install (43 232 0)

