

Control Module - Air Bag - Remove And Install (33 650 0)

WARNING:

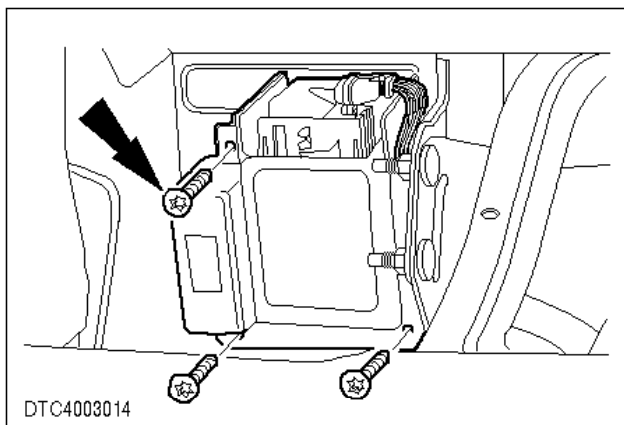
WAIT AT LEAST 15 MINUTES AFTER DISCONNECTING THE BATTERY BEFORE DISCONNECTING THE AIR BAG CONTROL MODULE ELECTRICAL CONNECTOR. FOR ALL OTHER SUPPLEMENTARY RESTRAINTS SYSTEM ELECTRICAL CONNECTORS; WAIT TWO MINUTES. FAILURE TO FOLLOW THESE PROCEDURES COULD INCREASE THE POSSIBILITY OF ACCIDENTLY DEPLOYING THE AIR BAG(S) AND PYROTECHNIC PRETENSIONERS.

Remove

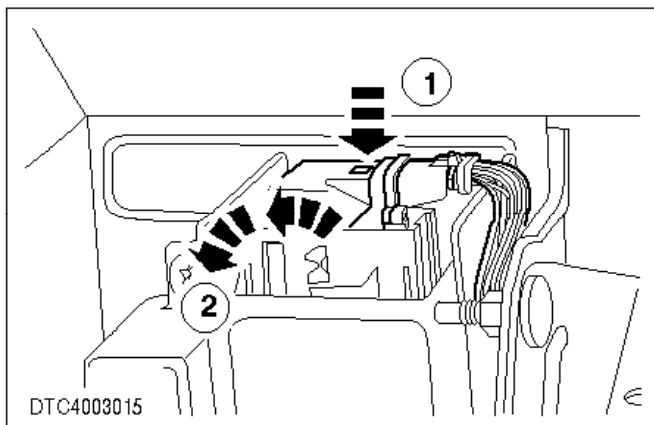
CAUTION:

Disconnect the battery negative lead.

1. Remove the lower crash pad/facia panel from beneath the steering column (refer to «**Operation Number 43 644 0**»).
2. Remove the instrument cluster (refer to «**Operation Number 33 214 0**»).



3. Remove the three Torx retaining bolts and support the module.



4. Disconnect the electronic control module multiplug.

- 1 Depress the locking tag.
- 2 Release the retaining strap (two stage) to disconnect the multiplug.
5. Remove the electronic control module from the vehicle.

Install

6. Refit the components in reverse order.
-