


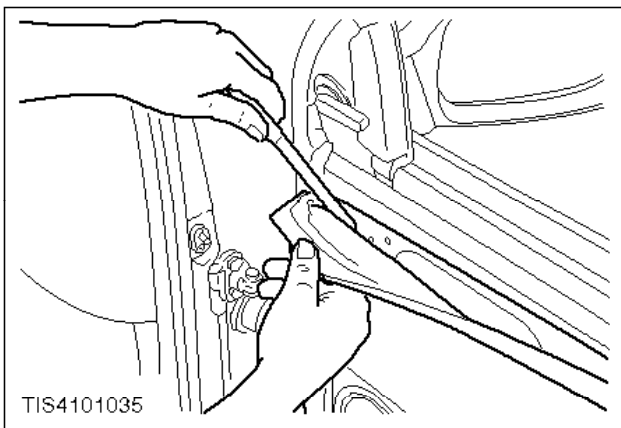
Mirror - Door (Powered) (One) - Remove And Install (43 364 0)

Remove

 **CAUTION:**
Disconnect the battery negative lead.

 **CAUTION:**
When disconnecting the multiplugs covered in this operation, do not pull on the wiring; pull on the multiplug body.

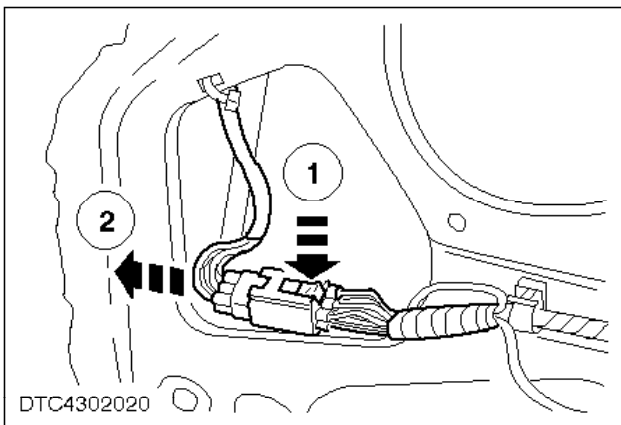
1. Remove the door trim panel (refer to «Operation Number 43 705 0»).



Note:

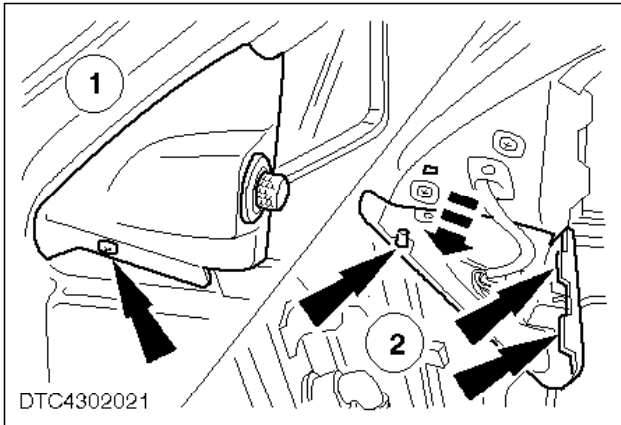
Using a plastic knife, (disposable cutlery) cut through the butyl strip to enable the watershield to be peeled back for access. Do not attempt to peel the watershield from the door without cutting the butyl strip.

-  2. Locally detach the door watershield.

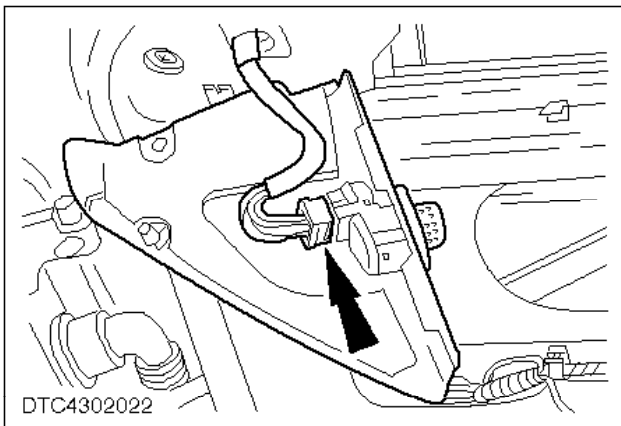


-  3. Disconnect the electrically operated door mirror multiplug.

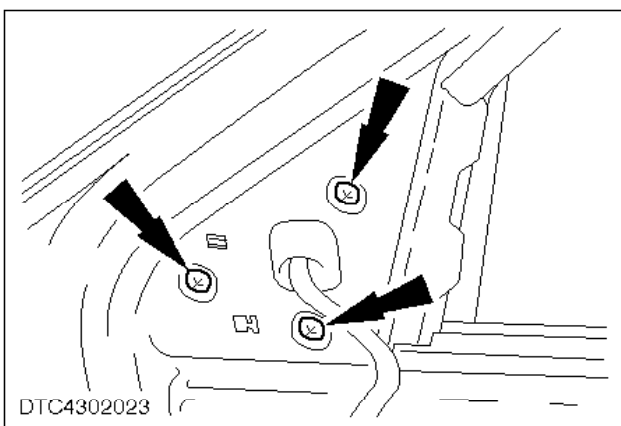
- 1 Depress the retaining clip.
- 2 Disconnect the multiplug.



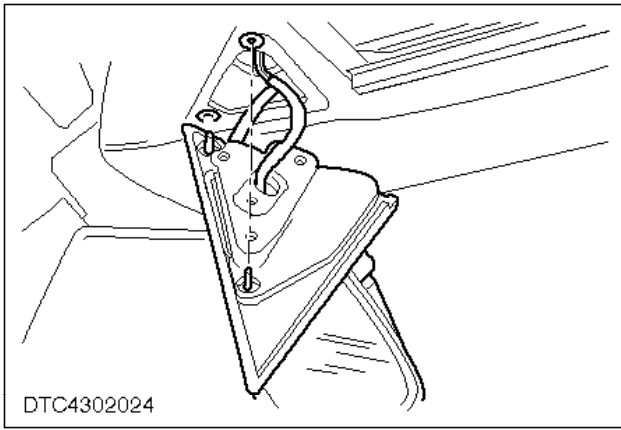
4. Remove the door mirror inner trim panel.
 - 1 Remove the retaining screw.
 - 2 Detach the mirror inner trim panel and switch assembly (three clips).



5. Disconnect the remote door mirror switch multiplug and remove the mirror inner trim panel and switch assembly.



6. Remove the three door mirror retaining screws.



Note:

Care should be taken to note loom routing on removal.

- 7. Detach the mirror from locating dowels and remove assembly.

Install

- 8. Refit the components in reverse order.
-