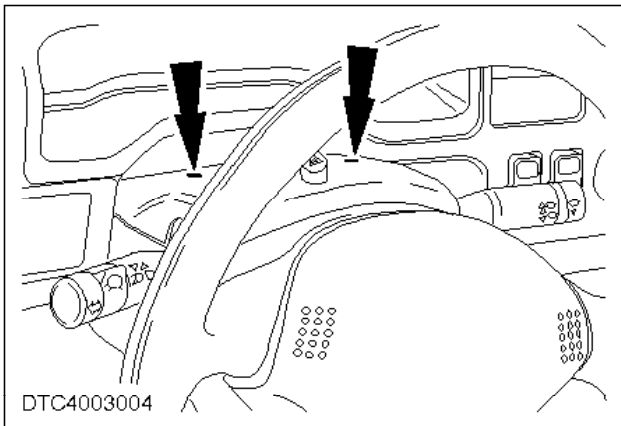


Module - Driver Air Bag - Remove And Install (40 700 0)

WARNING:

WAIT AT LEAST 15 MINUTES AFTER DISCONNECTING THE BATTERY BEFORE DISCONNECTING THE AIR BAG CONTROL MODULE ELECTRICAL CONNECTOR. FOR ALL OTHER SUPPLEMENTARY RESTRAINTS SYSTEM ELECTRICAL CONNECTORS; WAIT TWO MINUTES. FAILURE TO FOLLOW THESE PROCEDURES COULD INCREASE THE POSSIBILITY OF ACCIDENTLY DEPLOYING THE AIR BAG(S) AND PYROTECHNIC PRETENSIONERS.

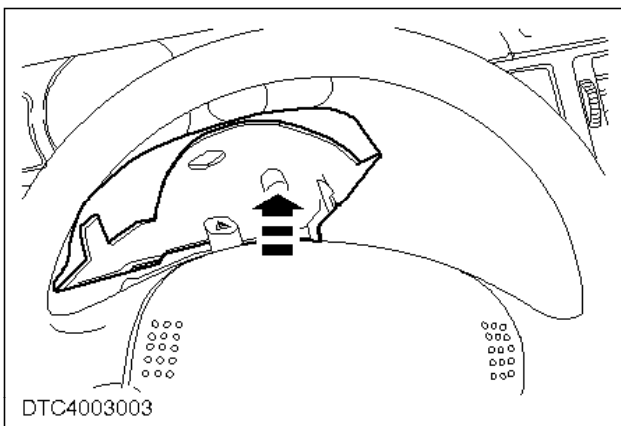


Remove

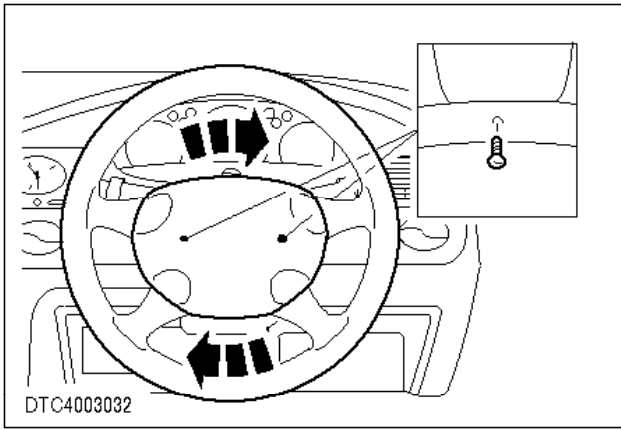
CAUTION:

Disconnect the battery negative lead.

1. Remove the two upper steering column shroud retaining screws.

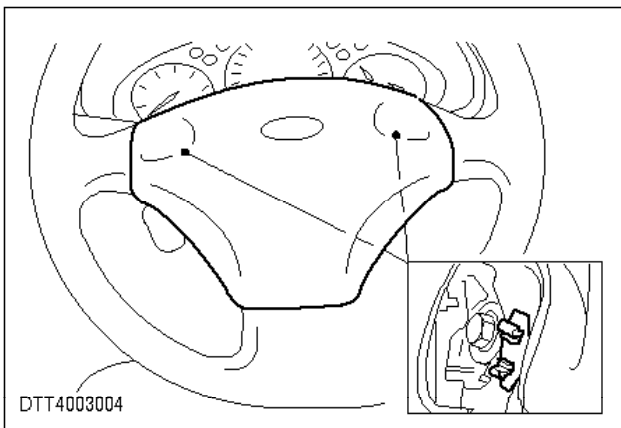


2. Remove the upper steering column shroud.

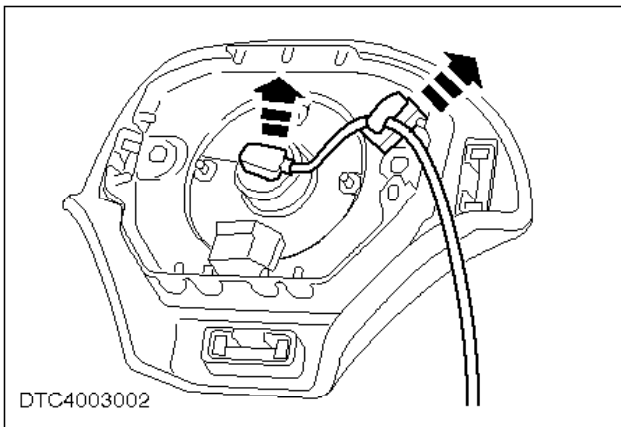


- 3. Remove both of the air bag securing bolts.

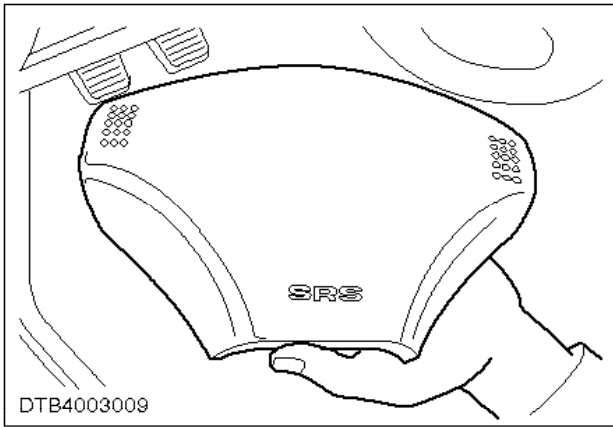
Rotate the steering wheel through 90 degrees from its central position to gain access to the bolts.



- 4. Ease the air bag module out of the steering wheel far enough to access the air bag module multiplug (two clips).



- 5. Disconnect the air bag module.
Unclip the wiring and disconnect the multiplug.



WARNING:

ALWAYS CARRY THE AIR BAG MODULE WITH THE COVER SIDE AWAY FROM THE BODY AND STAND IT WITH THE COVER UPPERMOST. DO NOT ATTEMPT TO REPAIR, OPEN OR APPLY ELECTRICAL POWER TO THE MODULE. NEVER USE MODULES THAT ARE VISIBLY DAMAGED. DO NOT EXPOSE THE MODULE TO HEAT SOURCES IN EXCESS OF 100°C.

6. Remove the module from the vehicle.

Install



CAUTION:

When refitting, ensure that the inflator wiring is correctly routed.

7. Refit the components in reverse order.
-