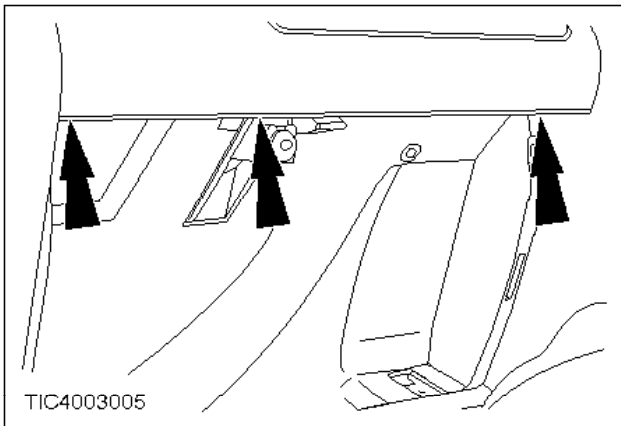


## Module - Passenger Air Bag - Remove And Install (Up To '95½ MY) (40 701 0)

### **WARNING:**

**WAIT AT LEAST 15 MINUTES AFTER DISCONNECTING THE BATTERY BEFORE DISCONNECTING THE AIR BAG CONTROL MODULE ELECTRICAL CONNECTOR. FOR ALL OTHER SUPPLEMENTARY RESTRAINTS SYSTEM ELECTRICAL CONNECTORS; WAIT TWO MINUTES. FAILURE TO FOLLOW THESE PROCEDURES COULD INCREASE THE POSSIBILITY OF ACCIDENTLY DEPLOYING THE AIR BAG(S) AND PYROTECHNIC PRETENSIONERS.**

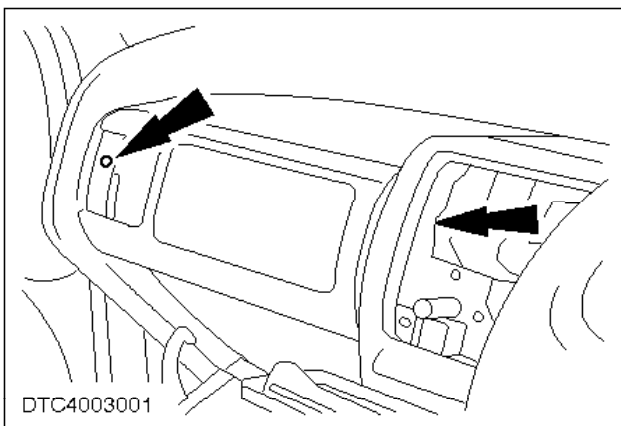


### Remove

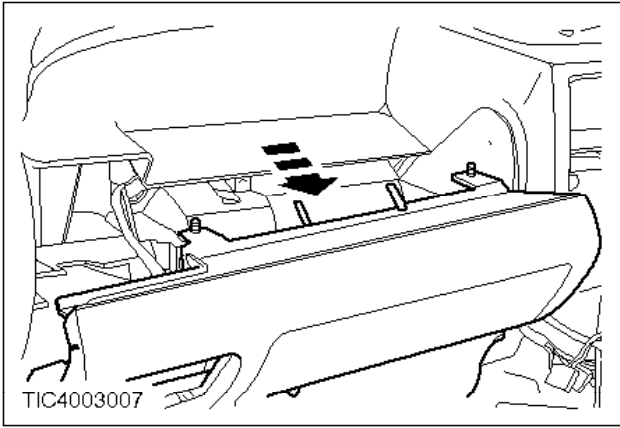
### **CAUTION:**

**Disconnect the battery negative lead.**

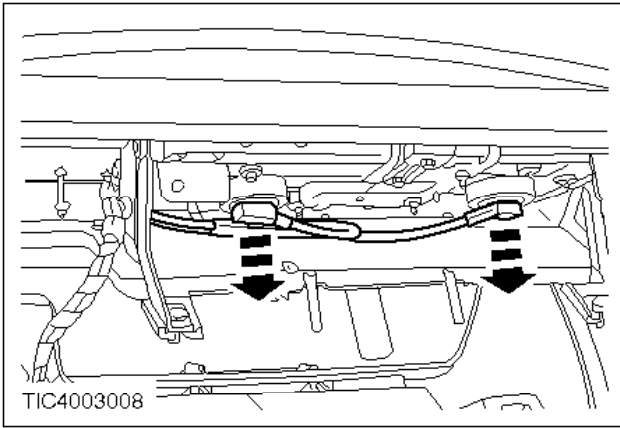
1. Open the glove compartment and remove the three screws.
2. Remove the passenger side and centre air vents (refer to «**Operation Number 43 644 0**»).



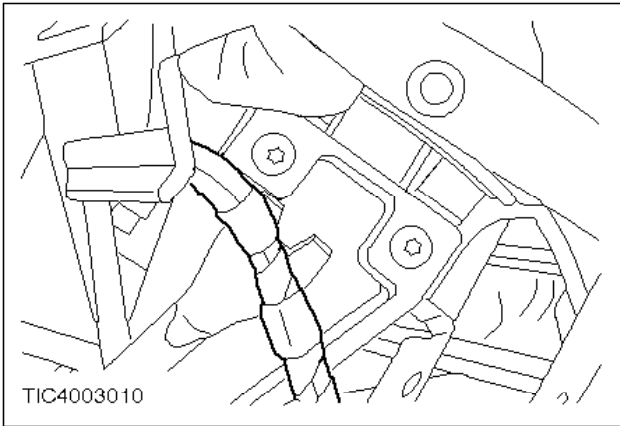
3. Working through the vent apertures, remove the air bag module assembly retaining nuts.



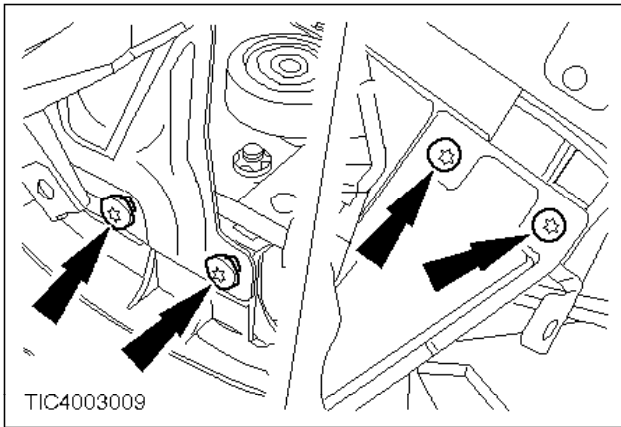
4. Ease the air bag assembly away from the fascia.



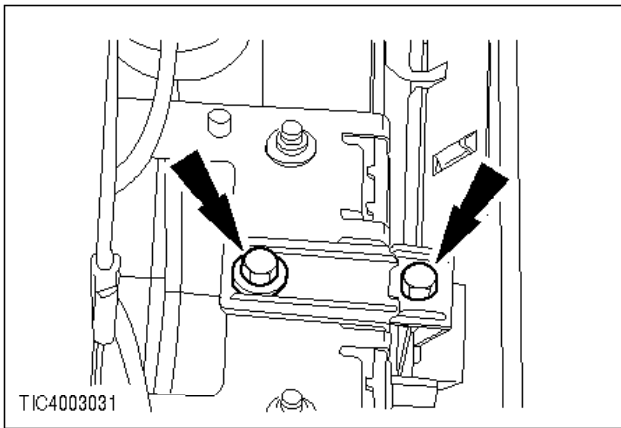
5. Disconnect both air bag multiplugs.



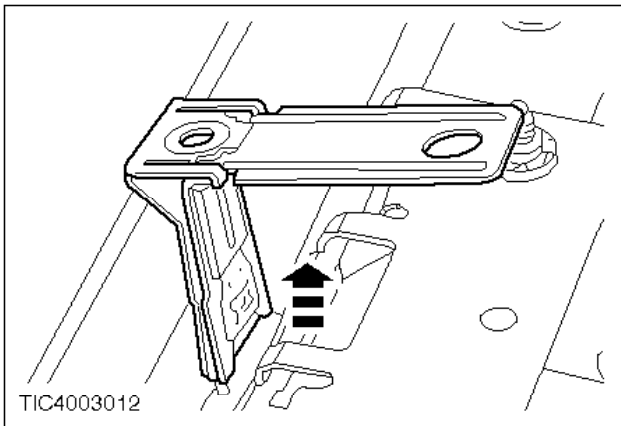
6. Unclip the air bag wiring loom from the air bag assembly.



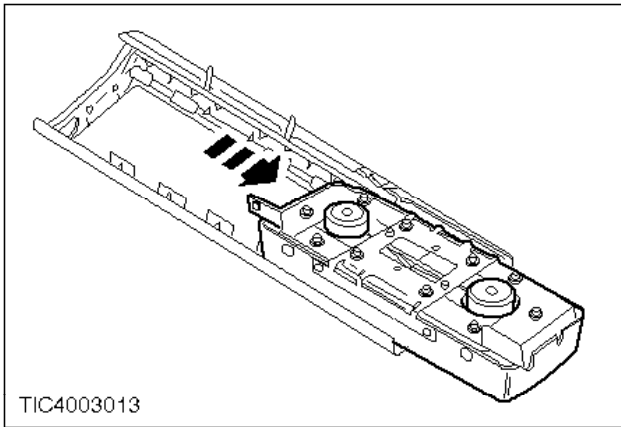
7. Remove the four bolts.



8. Remove both bolts from the central fixing bracket.



9. Ease the bracket out of the assembly.



**WARNING:**

**ALWAYS CARRY THE AIR BAG MODULE WITH THE COVER SIDE AWAY FROM THE BODY AND STAND IT WITH THE COVER UPPERMOST. DO NOT ATTEMPT TO REPAIR, OPEN OR APPLY ELECTRICAL POWER TO THE MODULE. NEVER USE MODULES THAT ARE VISIBLY DAMAGED. DO NOT EXPOSE THE MODULE TO HEAT SOURCES IN EXCESS OF 100°C.**

- ⦿ 10. Remove the air bag module from the casing.

**Install**



**CAUTION:**

**When refitting, ensure that the inflator wiring is correctly routed.**

11. Refit the components in reverse order.
-