

## Spoiler - Tailgate - Remove And Install (43 492 0)

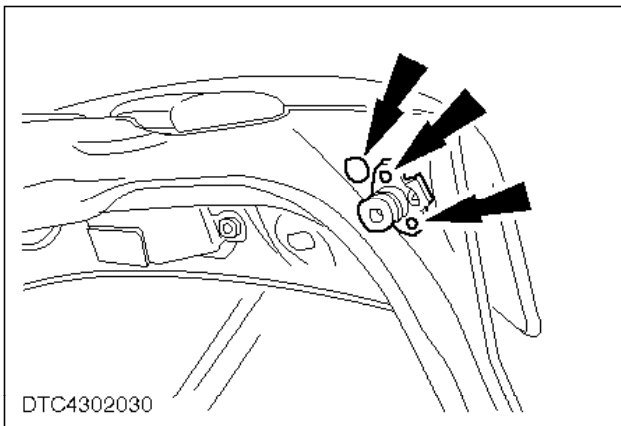
### Remove



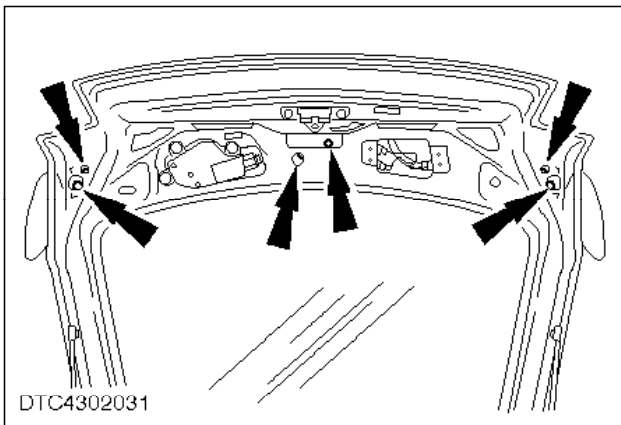
#### CAUTION:

This procedure covers original equipment only. Some accessory fitted items may be bonded to the panel.

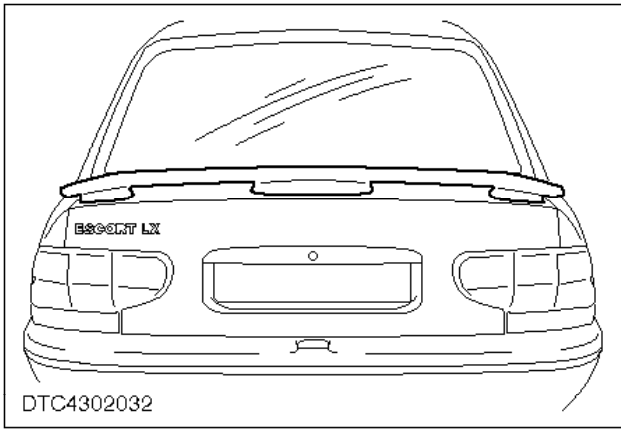
1. Remove the tailgate trim panel (10 screws).



2. Remove the right and left-hand tailgate adjustable stops (two screws and one screw cover each side).



3. Remove the six tailgate spoiler retaining nuts.



- ⌂ 4. Remove the tailgate spoiler.

**Install**

5. Refit the components in reverse order.
-