

Cooling System - Drain And Refill (24 122 0)

Drain



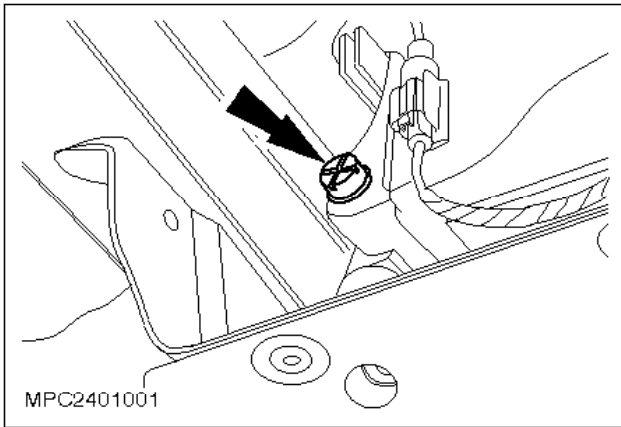
WARNING:

WHEN RELEASING THE SYSTEM PRESSURE, COVER THE CAP WITH A THICK CLOTH TO PREVENT THE POSSIBILITY OF SCALDING.

1. Relieve the cooling system pressure by slowly unscrewing the expansion tank cap a quarter turn.

Remove the cap when all the pressure has been released.

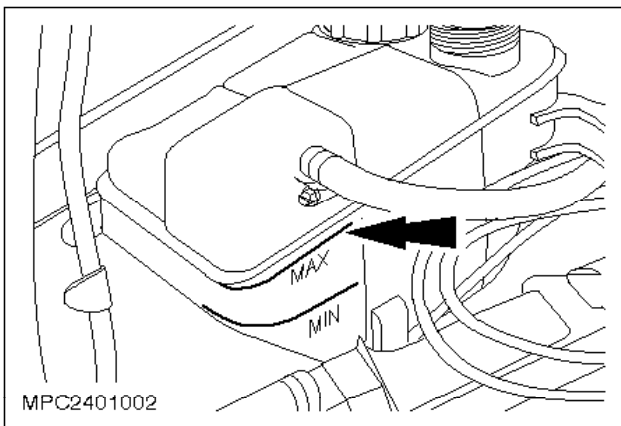
2. Raise the vehicle.



3. Open the drain valve to drain the coolant.

Drain the coolant into a suitable container.

4. Close the valve when all of the coolant has drained from the system.
5. Lower the vehicle.



Refill

Note:

Ensure the in-car heater is positioned to the hot setting.

- 6. Refill the expansion tank to the MAX mark (with the engine switched off).
 - 7. Start the engine and warm up for two fan cycles at 3000 RPM.
 - 8. Top up the coolant to the MAX mark with the engine running (rev the engine occasionally).
 - 9. Refit the expansion tank cap and switch off the engine.
 - 10. Leave to cool down and then recheck the coolant level. Top up to the MAX mark as required.
-