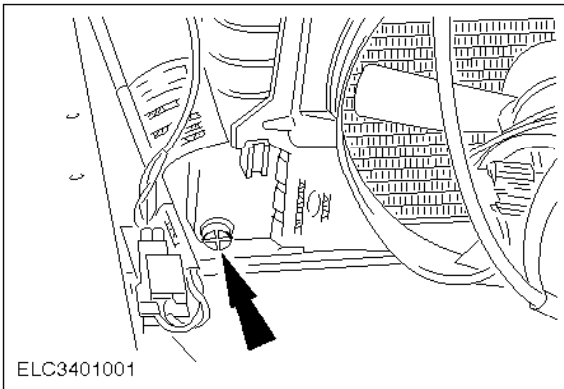


Heater Assembly - Remove and Install (34 354 0)

Remove

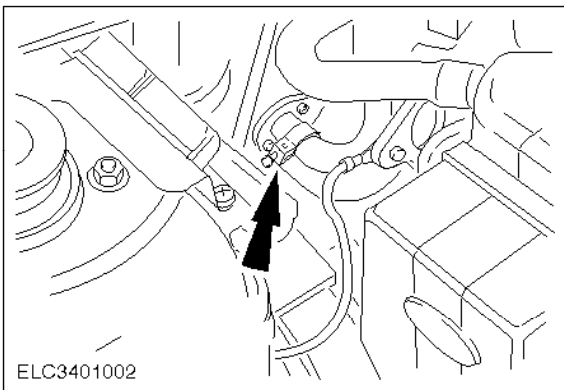
1. Standard preparatory measures.
 - Make a note of the radio keycode.
 - Make a note of the preset radio stations.
 - Lay protective covers on the fenders.



⚠ CAUTION:
Disconnect the battery negative lead.

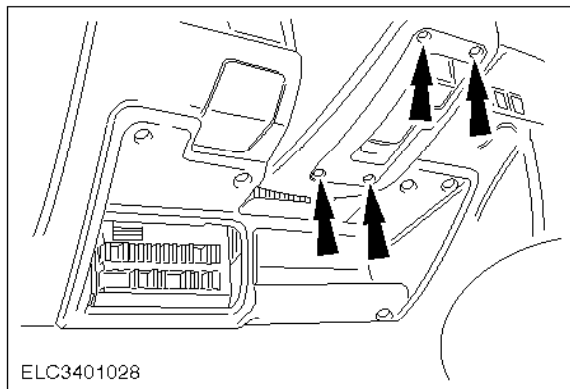
Note:
Re-tighten the radiator drain plug to 22 Nm after draining off the coolant.

2. Drain the coolant.

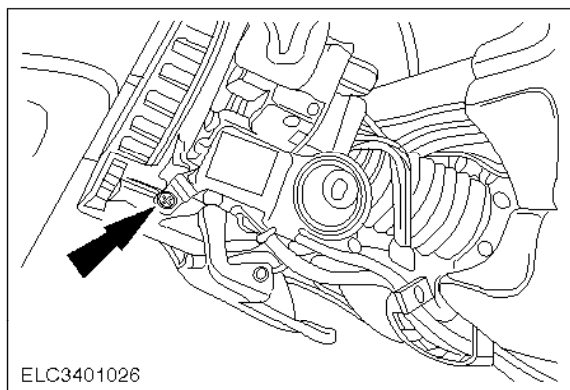


3. Disconnect the coolant hoses from the radiator connectors.
4. Remove the connector cover plate together with the seal from the bulkhead.
 - Remove the two bolts.
 - Take off the cover plate together with the seal.

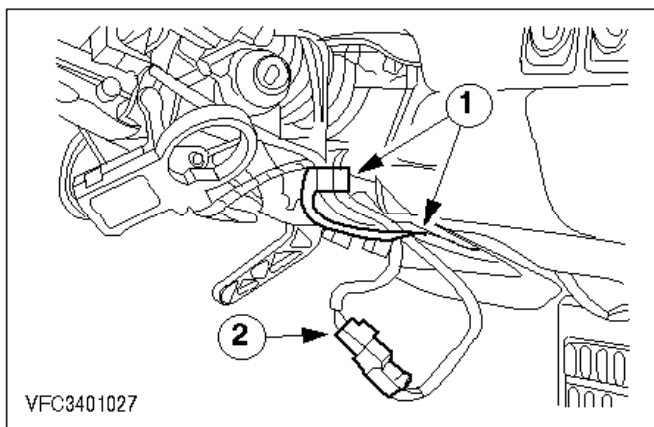
5. If equipped, remove the driver side airbag as described in «Operation No. 40 700 0».



6. Remove the lower steering column shroud.

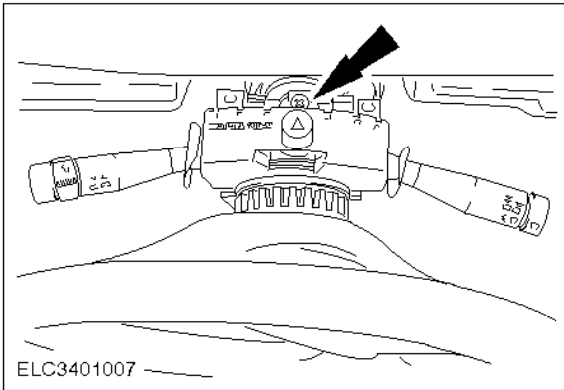


7. If equipped, remove the passive anti-theft system (PATS) transceiver.



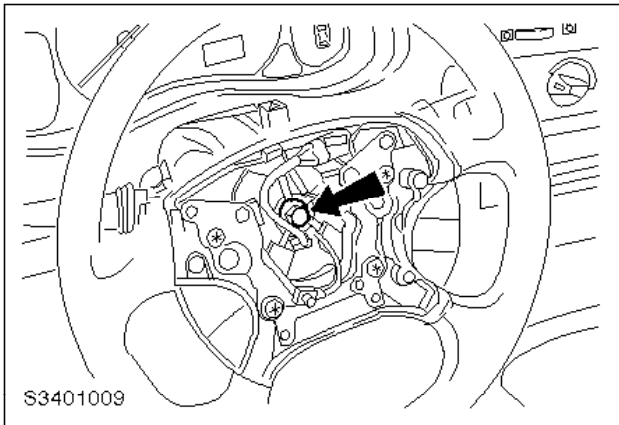
8. Unclip the airbag wiring loom (if equipped) and disconnect the plugs.

- 1 Unclip the wiring loom.
- 2 Disconnect the plug.

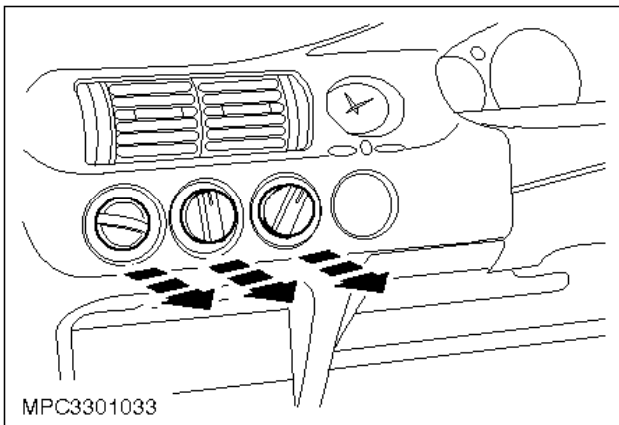


9. Remove the multifunction switch.

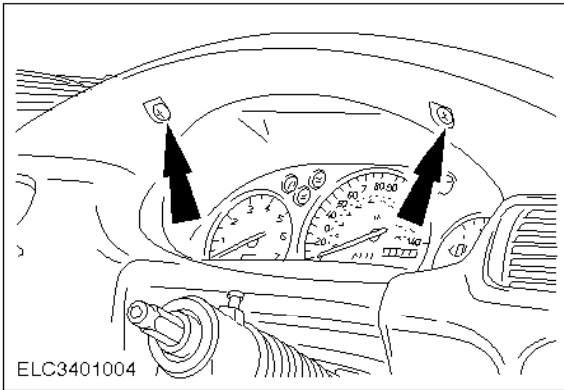
- One screw.
- Disconnect both plugs.



10. Remove the steering wheel.

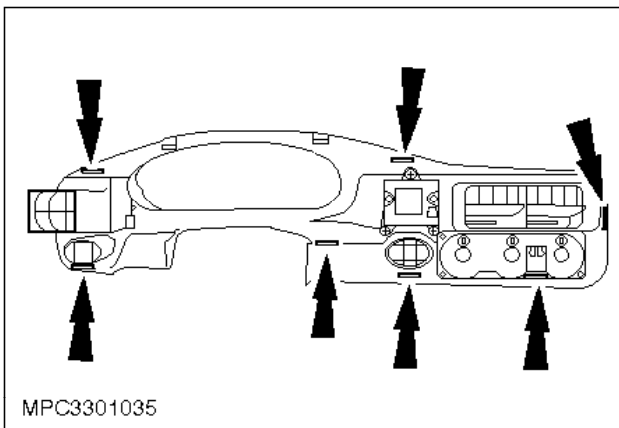


11. Pull off the heater operating knobs (RHD vehicle shown).



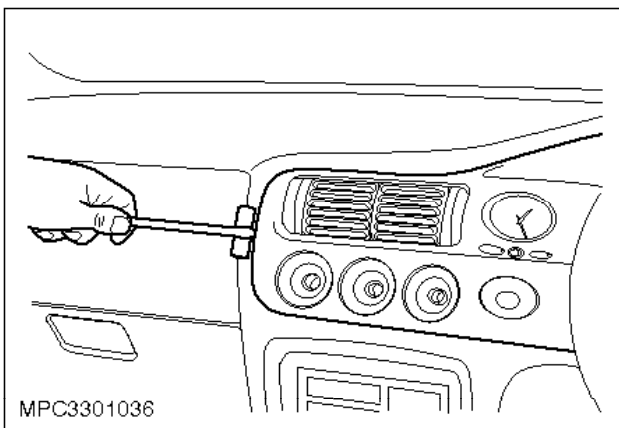
12. Detach the instrument panel bezel (RHD vehicle shown).

Unscrew the bolts.



Note:
Clip positions.

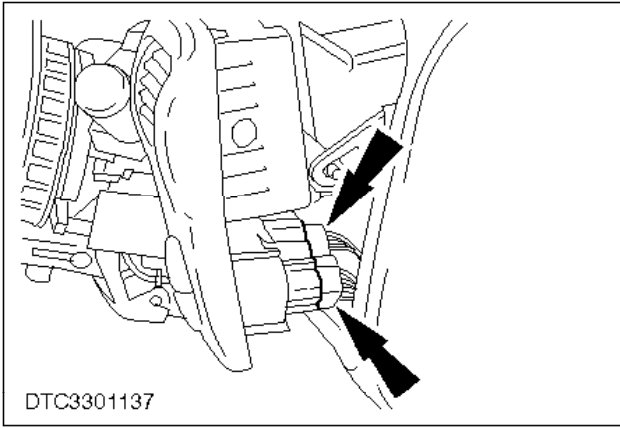
13. Unclip the bezel (RHD vehicle shown).



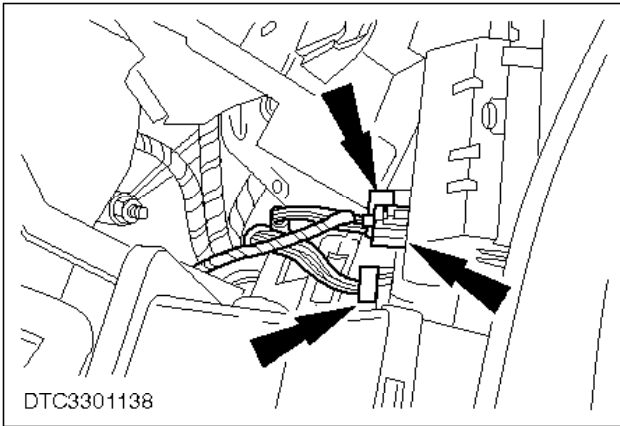
⚠ CAUTION:

Place a pad under the screwdriver to avoid damage.

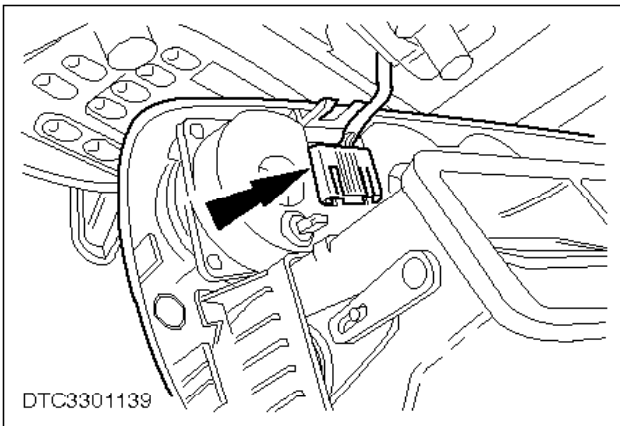
14. Unclip the bezel (cont.) (RHD vehicle shown).



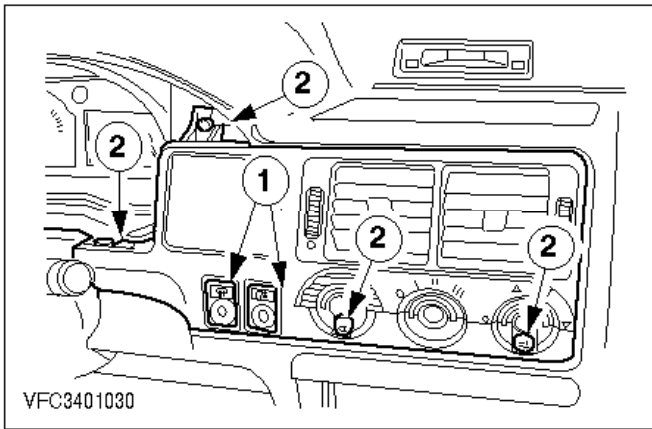
- ⌚ 15. Pull off the rear fog lamp/front fog lamp multiplug (RHD vehicle shown).



- ⌚ 16. Pull off the heated rear window/windscreen multiplug (RHD vehicle shown).

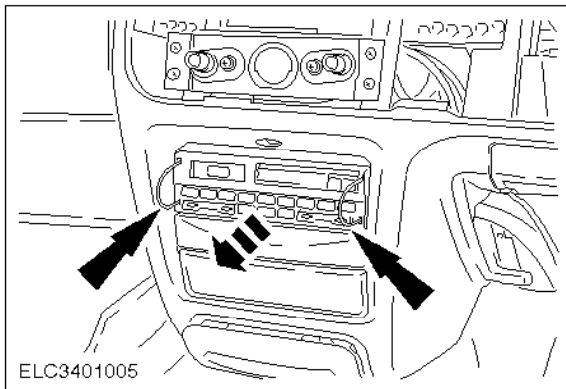


- ⌚ 17. Pull off the multiplug and remove the bezel (RHD vehicle shown).

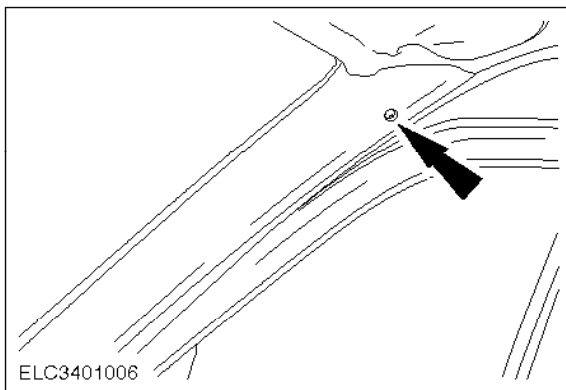


Only for Escort '91 and '93.

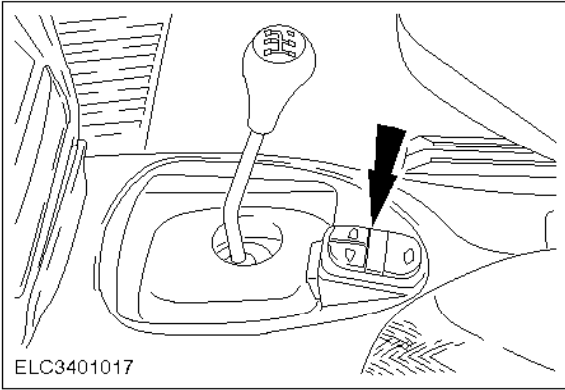
- ⊖ 18. Remove the heater control bezel.
 - 1 Disconnect the plugs from the switches.
 - 2 Unscrew the bolts.



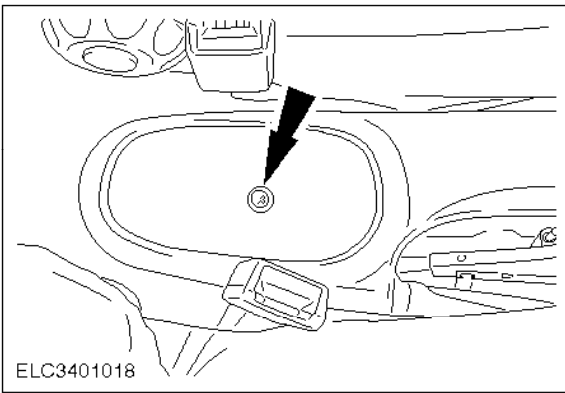
- ⊖ 19. Remove the radio/cassette player (if equipped) as described in «**Operation No. 38 222 0**» (RHD vehicle shown).



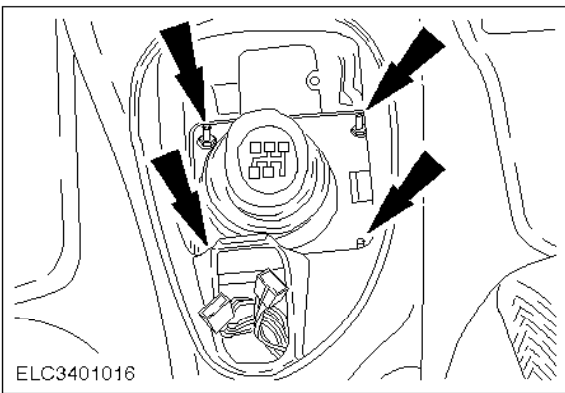
- ⊖ 20. Detach the trim from the left-hand and right-hand A-pillars.



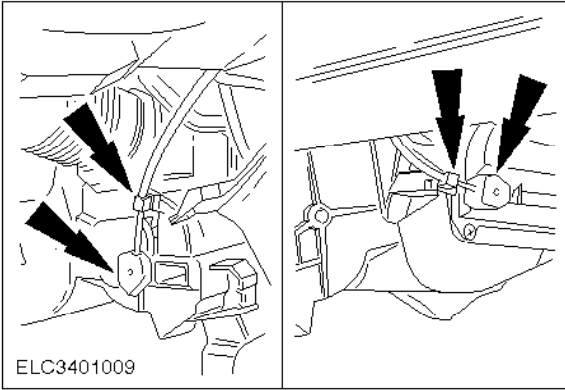
- 21. Remove the gear shift lever gaiter.
- 22. If equipped, remove the switch for the electrically operated windows.



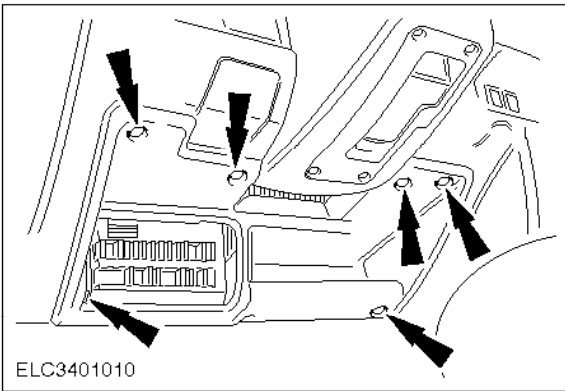
- 23. Remove the centre console.



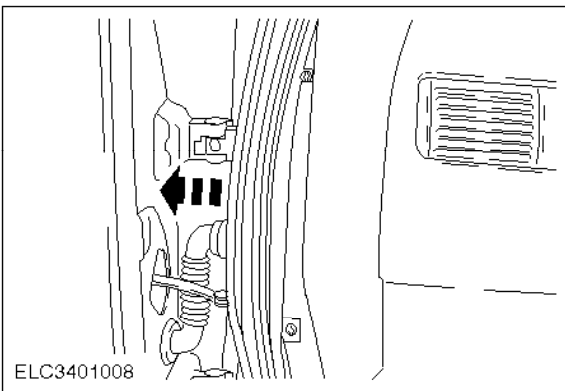
- 24. Remove the centre console (continued).



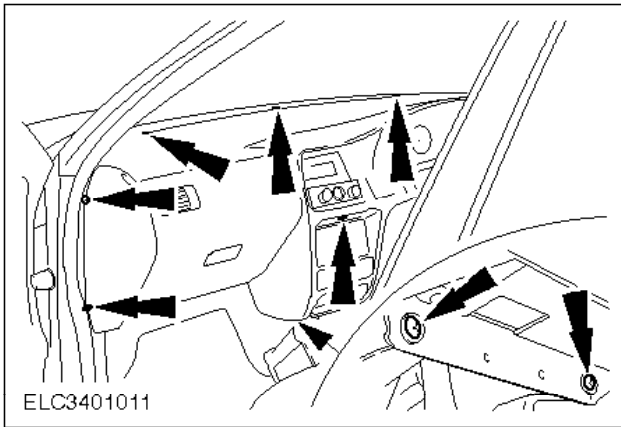
- 25. Detach the Bowden cables from the heater housing.



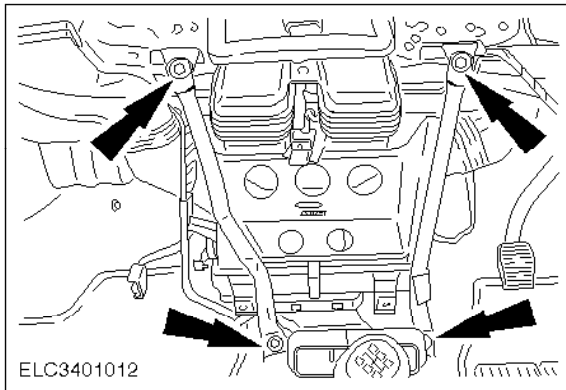
- 26. Remove the lower crash padding on the driver side.



- 27. Pull off the door seal in the area of the crash padding.

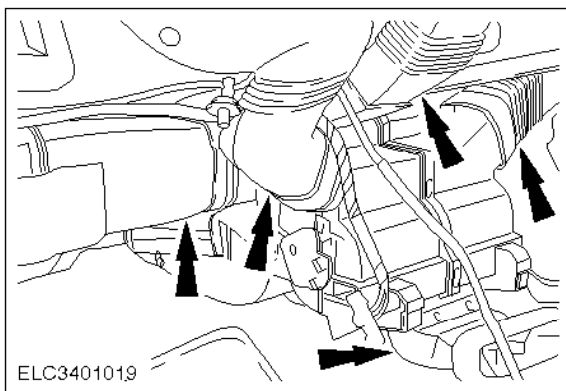


28. Remove the fascia crash pad (RHD vehicle shown).
- Unscrew and remove the ten screws.
 - Carefully pull the crash padding out forwards.
 - Detach the speedometer drive cable.
 - Pull off all the plugs from the crash padding.

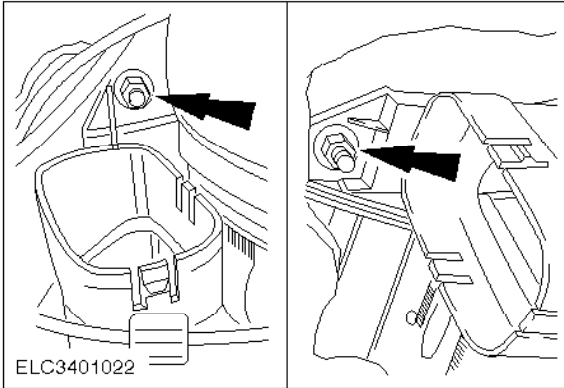


Only for MY '95 ½.

29. Remove the reinforcements.



30. Pull off the hoses from the heater housing.



- ⌚ 31. Remove the heater housing.

A single nut on both the left and right-hand sides.

Install

Note:

Torques. For further information see Subsection 34-01, General Specifications.

Note:

If there is a concern over water entering the front footwell, this may be due to condensation in the heater housing. In order to remedy the concern, a modified heater housing with an additional conduit to the condensation water drains can be installed. The modified heater housing has been installed in production since 19.12.1997 (Build code VE).

32. Refit the components in the reverse order.

33. If equipped, install the airbag on the driver side as described in «**Operation No. 40 700 0**».

34. Standard finishing operations.

- Top up the coolant.
 - Bleed the cooling system.
 - Connect the battery negative lead.
 - Remove the protective covers.
 - Enter the radio keycode.
 - Reprogramme the preset radio stations.
 - Reset the clock.
 - Road test the vehicle to collect data for the PCM.
 - Check fluid levels and correct as necessary.
 - Check the cooling system for leaks.
-