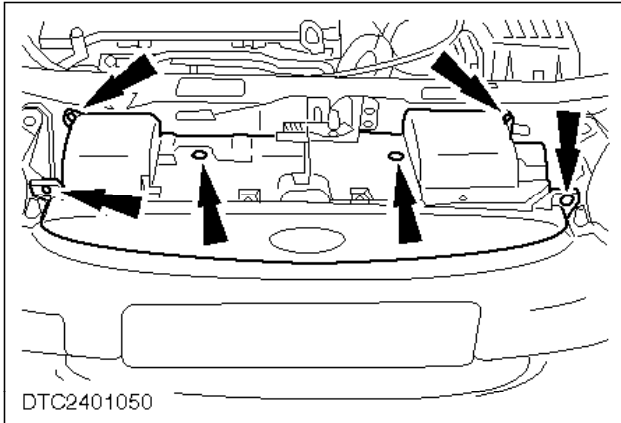


Radiator (2.0 DOHC 16V with Air Conditioning) - Remove And Install (24 254 0)

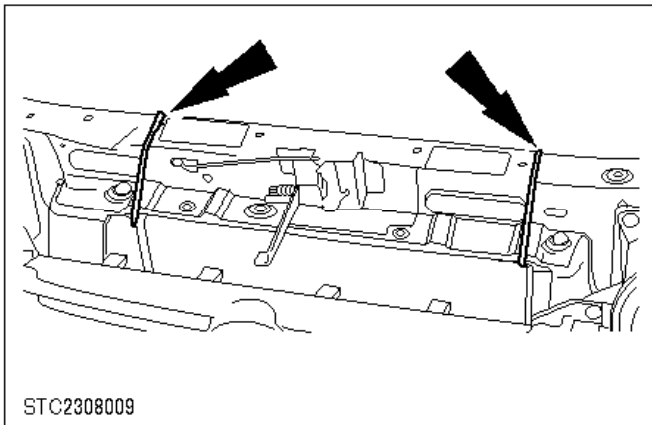
Remove



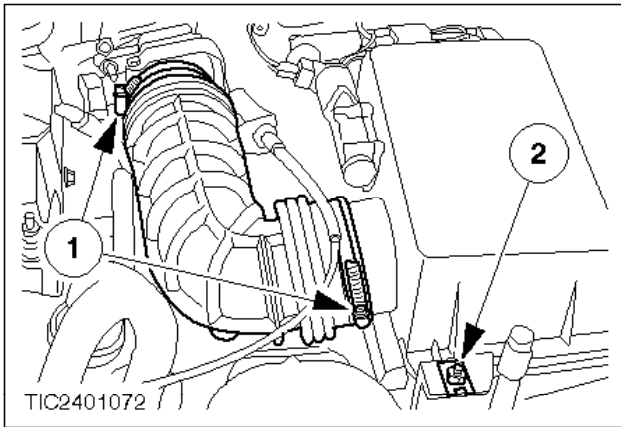
CAUTION:
Disconnect the battery negative lead.



1. Remove the front grille assembly (four bolts and two clips).

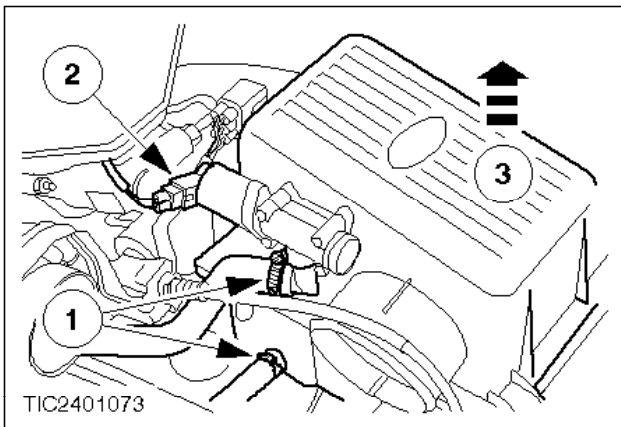


2. Support the radiators using strong wire.



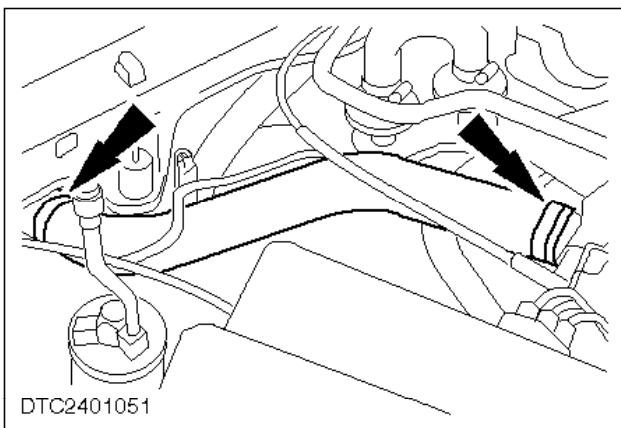
➤ 3. Remove the air cleaner assembly (four bolts and two clips).

- 1 Remove the air intake pipe.
- 2 Remove the retaining nut.

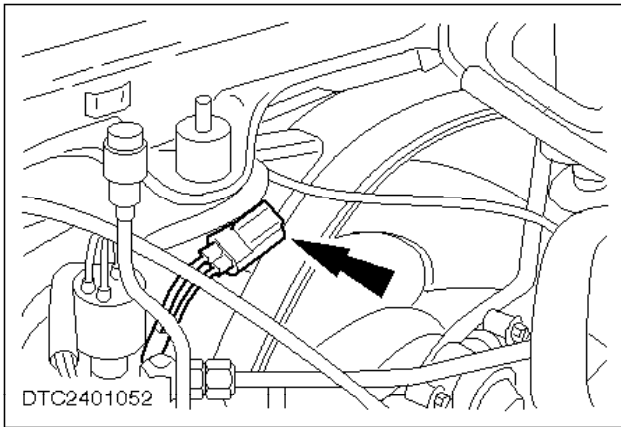


➤ 4. Remove the air cleaner assembly (continued).

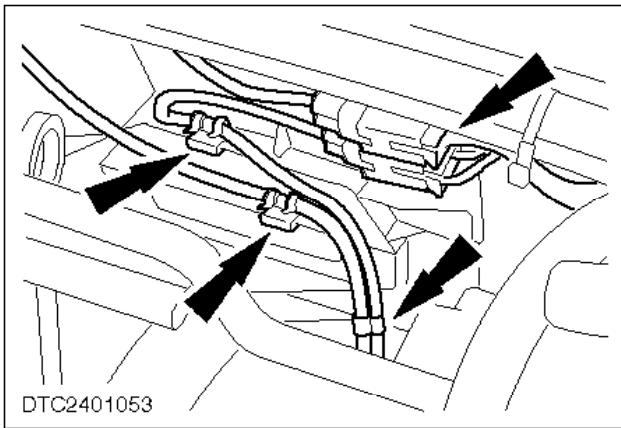
- 1 Detach the two hoses.
 - 2 Disconnect the multiplug.
 - 3 Lift the assembly clear of the vehicle.
5. Drain the cooling system (refer to «**Operation Number 24 122 0**»).
6. Lower the vehicle.



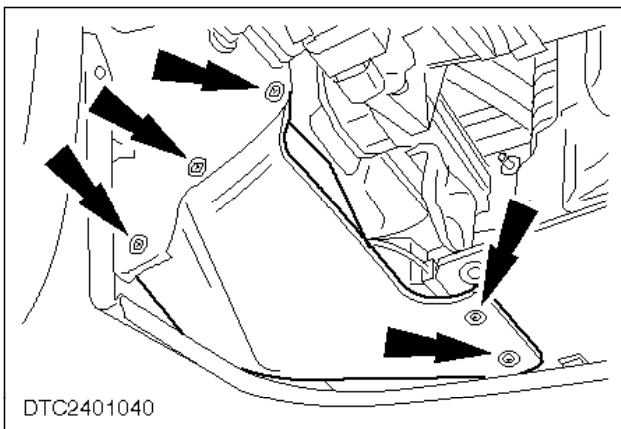
➤ 7. Remove the radiator hose (two clips).



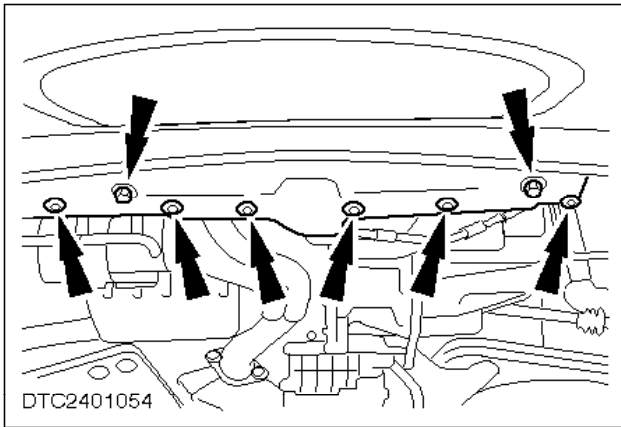
- 8. Disconnect the cooling fan multiplug.



- 9. Detach the multiplugs and wiring from the fan shroud.
- 10. Raise the vehicle.

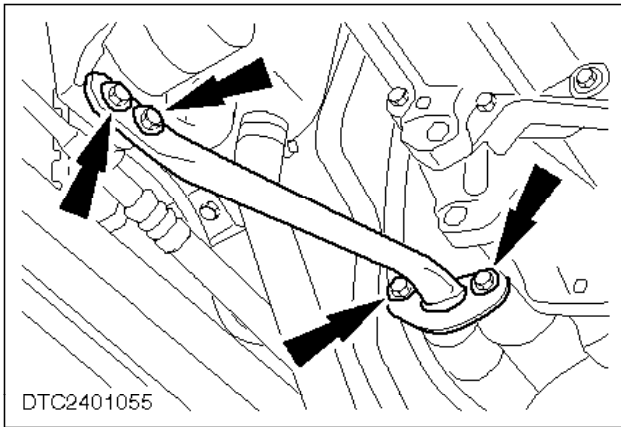


- 11. Remove the wheelhouse liner extensions (if fitted) (five bolts each side).

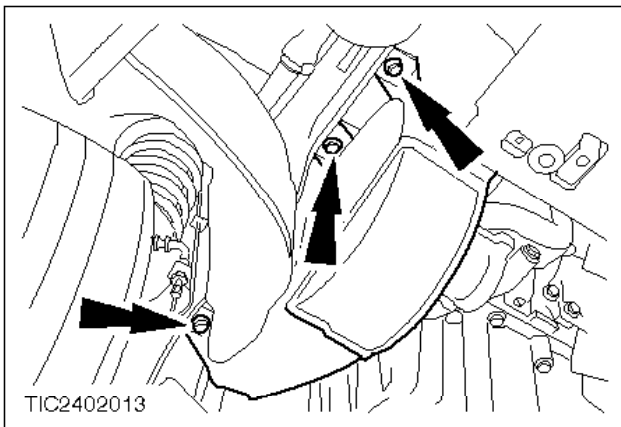


12. Remove the lower air deflector.

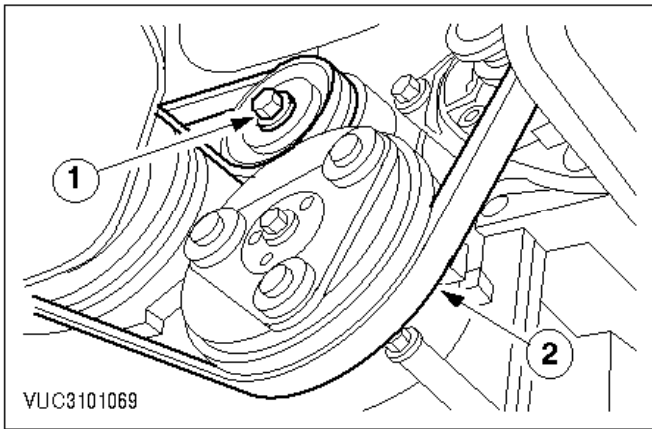
- Drill out six rivets.
- Remove two nuts.



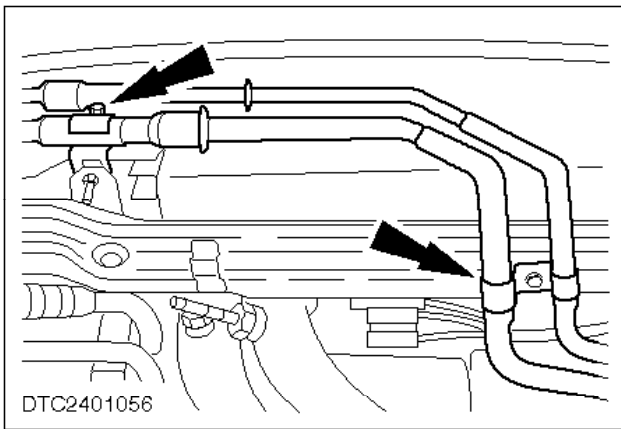
13. Remove the engine stabiliser bar (four bolts).



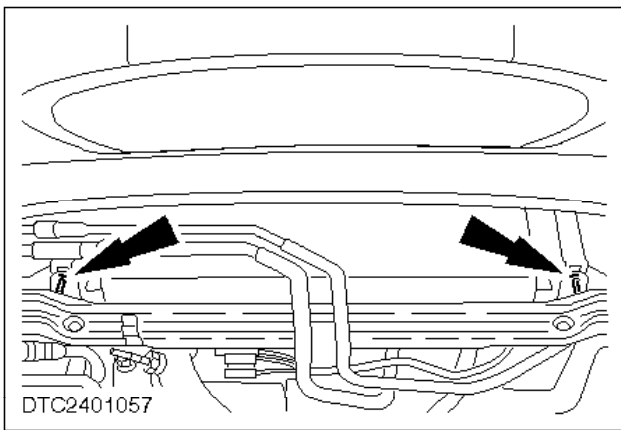
14. Remove the splash shield (three bolts).



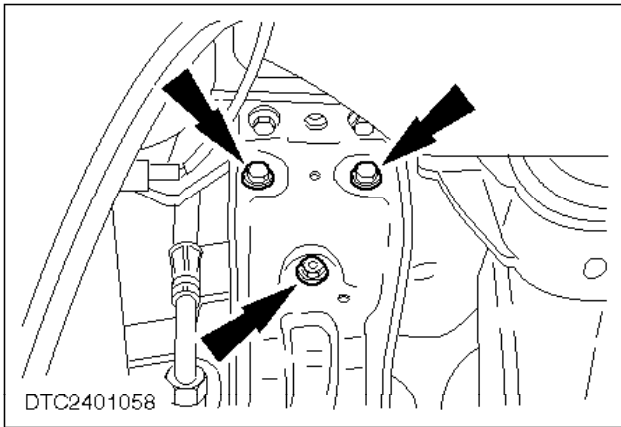
- 15. Remove the alternator drive belt.
 - 1 Rotate the drive belt tensioner in a clockwise direction.
 - 2 Remove the drive belt and release the drive belt tensioner.



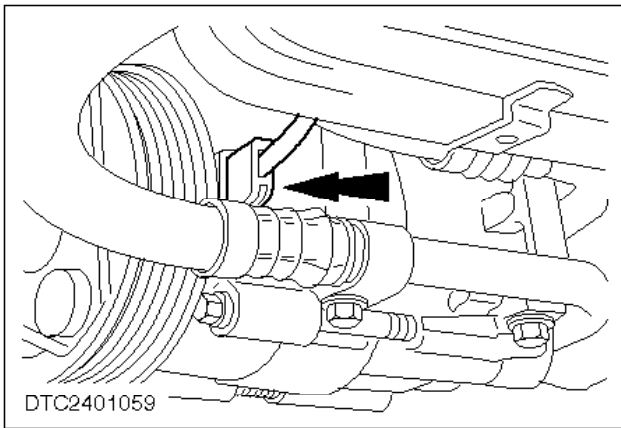
- 16. Detach the air conditioning pipes from the radiator support.



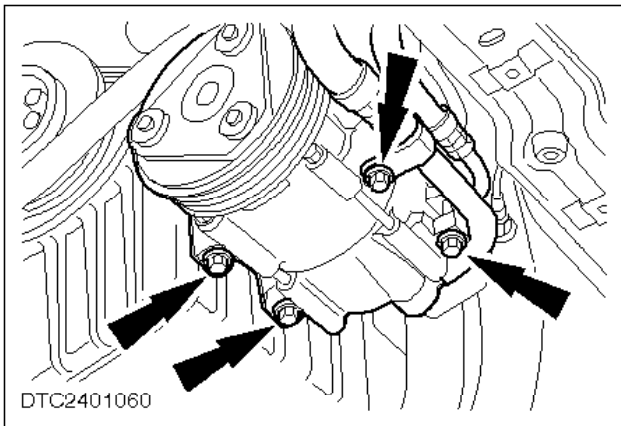
- 17. Detach the radiators from the radiator support.



- 18. Detach the air conditioning condenser (three bolts).



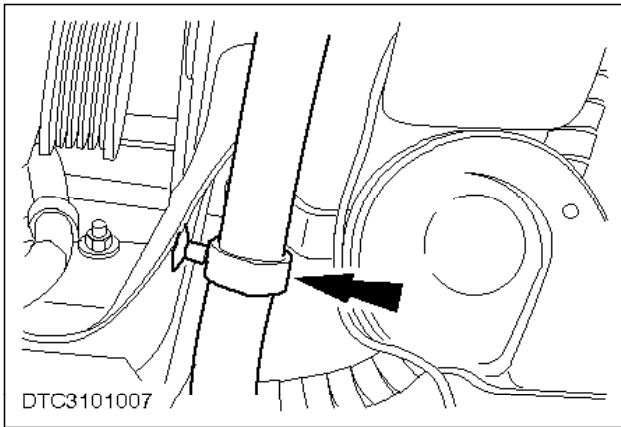
- 19. Disconnect the air conditioning compressor multiplug.



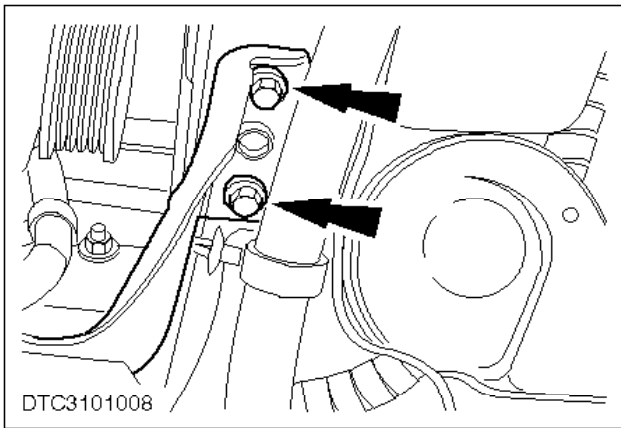
⚠ CAUTION:

When moving any air conditioning components or pipes take care not to put undue stress on any pipe lines.

- 20. Detach the air conditioning compressor, support it on a suitable stand clear of the working area (four bolts).

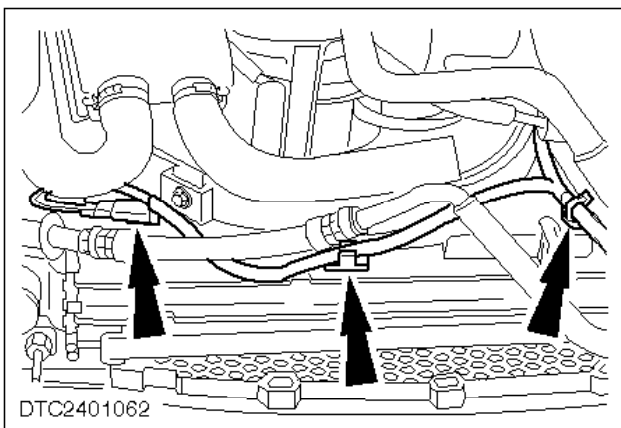


- 21. Unclip the coolant hose.

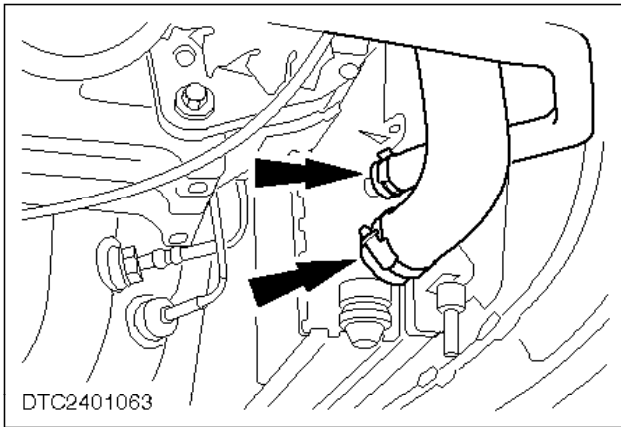


- 22. Remove the radiator support (two bolts each side) (right-hand shown).

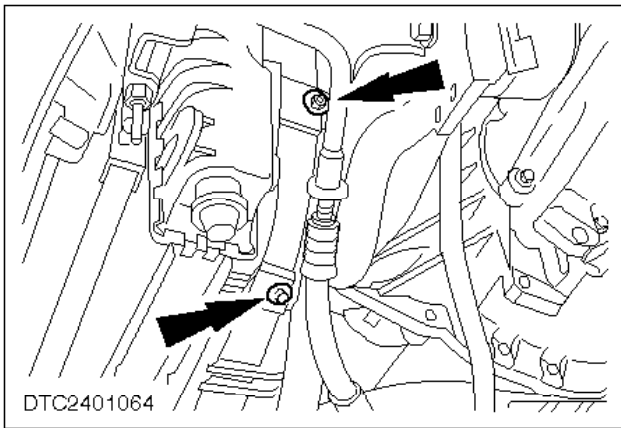
It will be necessary to carefully manoeuvre the support between the air conditioning pipes.



- 23. Detach the wiring from the fan shroud.



- ⌚ 24. Disconnect the coolant hoses.



- ⌚ 25. Detach the pulse air reservoir from the fan shroud.

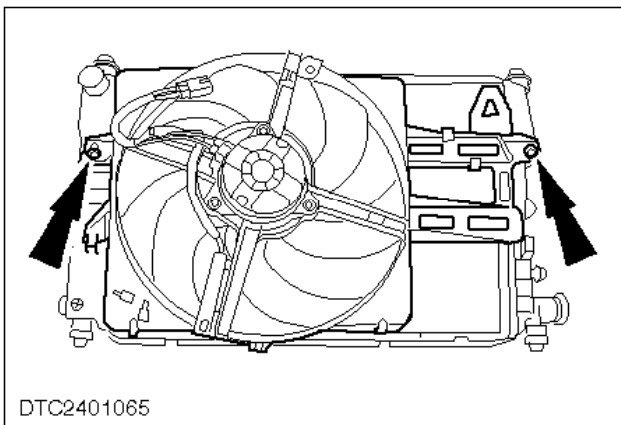


CAUTION:

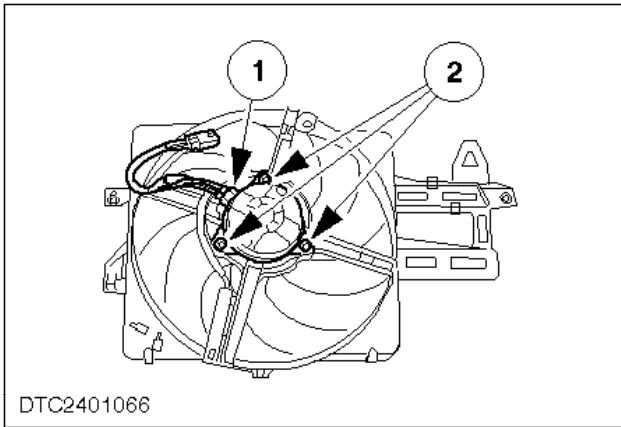
There is very little room in which to manoeuvre the radiator, care must be taken not to damage any components.

26. Lower the radiator assembly.

It will be necessary to release the radiator from its support wire.

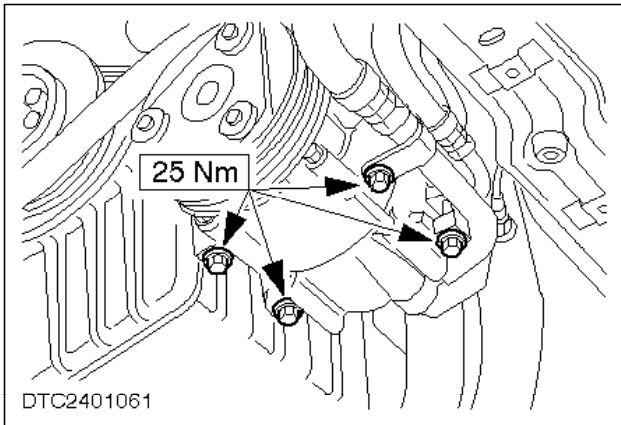


- ⌚ 27. Remove the fan and shroud assembly from the radiator.



Motor - Fan - Remove (24 222 0)

- 28. Remove the fan motor.
 - 1 Disconnect the multiplug.
 - 2 Remove the three retaining bolts.



Install

- 29. Refit the components in reverse order.
 - 30. Refill the cooling system (refer to «**Operation Number 24 122 0**»).
- Motor - Fan - Install (24 222 0)
-