

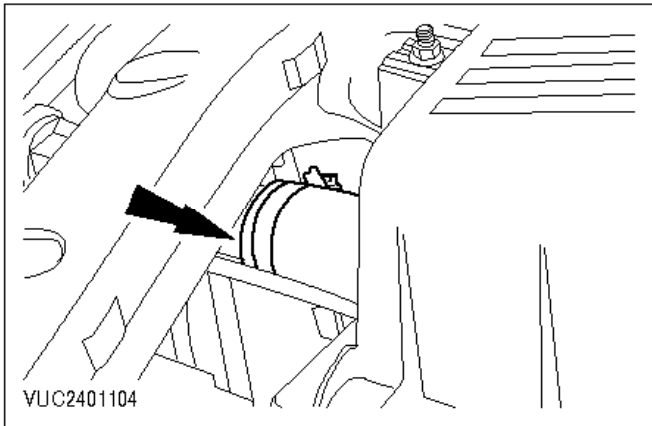
Radiator (2.0 DOHC 16V without Air Conditioning) - Remove And Install (24 254 0)

Remove

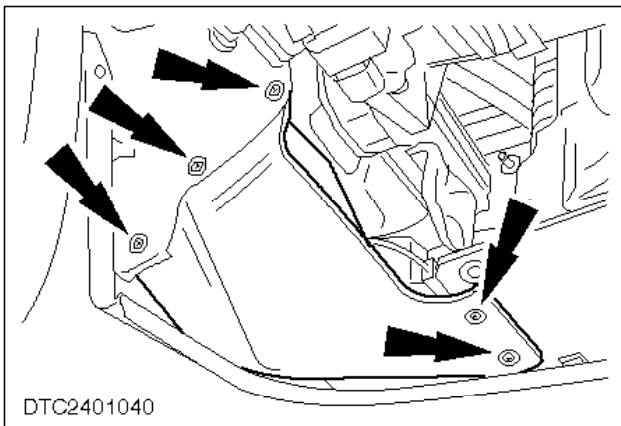
 **CAUTION:**

Disconnect the battery negative lead.

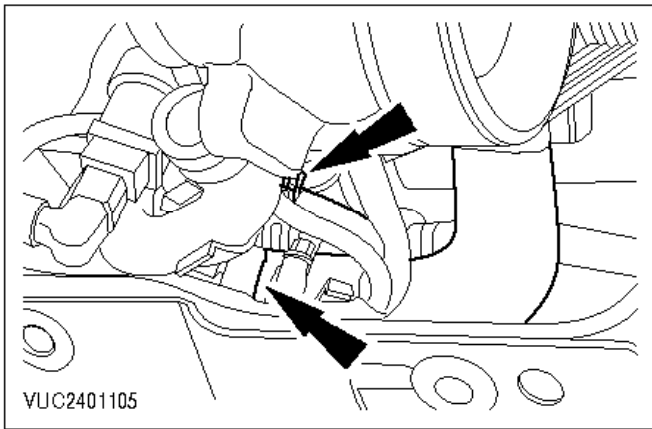
1. Drain the cooling system (refer to «Operation Number 24 122 0»).
2. Remove the fan motor (refer to «Operation Number 24 222 0»).



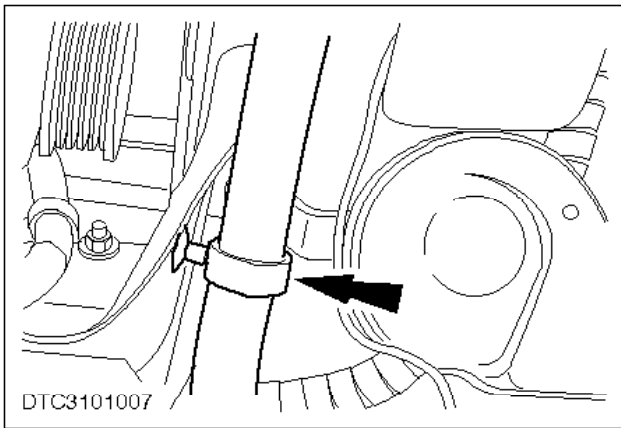
3. Disconnect the radiator top hose.
4. Raise the vehicle.



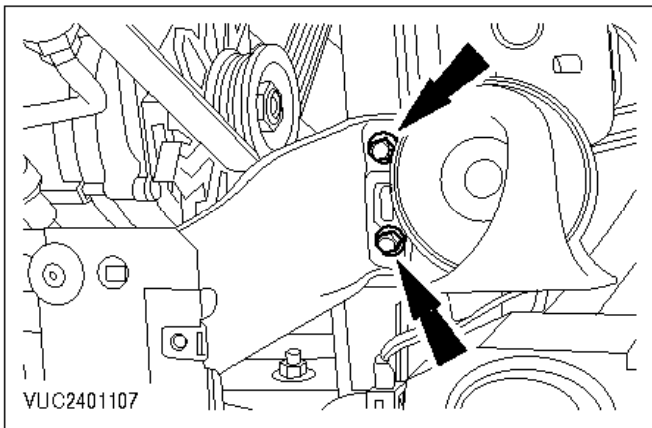
5. Remove the wheelhouse liner extensions (if fitted) (five bolts each side).



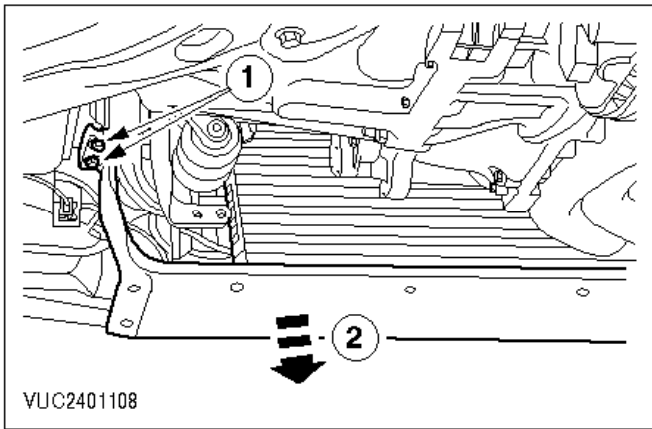
6. Disconnect the coolant hoses.



7. Unclip the coolant hose.



8. Remove the right-hand side radiator support bolts.



- ⌚ 9. Remove the radiator and support bracket.
 - 1 Remove the left-hand side radiator support bolts.
 - 2 Remove the radiator and support bracket.

Install

- 10. Refit the components in reverse order.
 - 11. Refill the cooling system and check for leaks (refer to «**Operation Number 24 122 0**»).
-