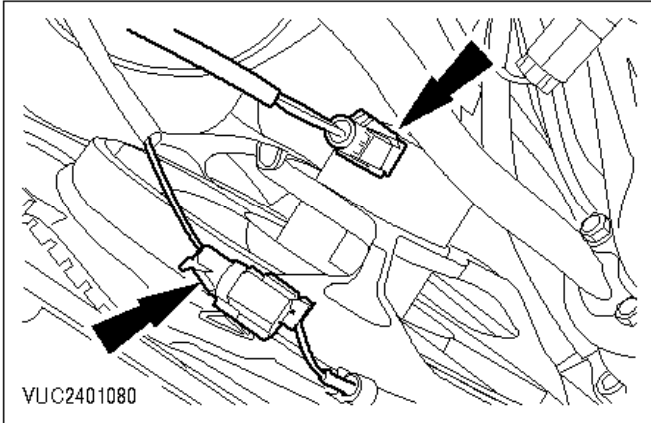


Motor - Fan (2.0 DOHC 16V) - Remove And Install (24 222 0)

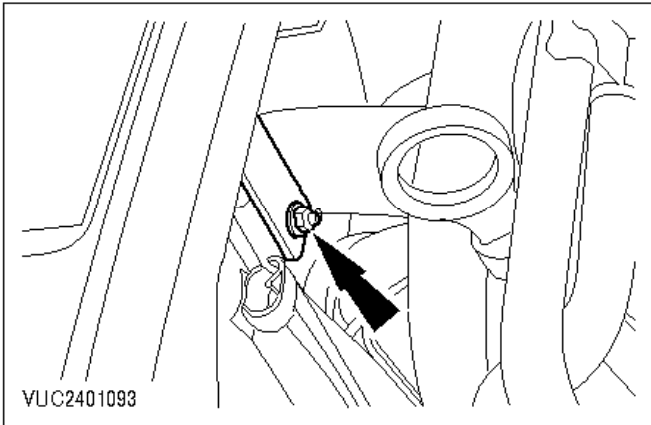
Remove



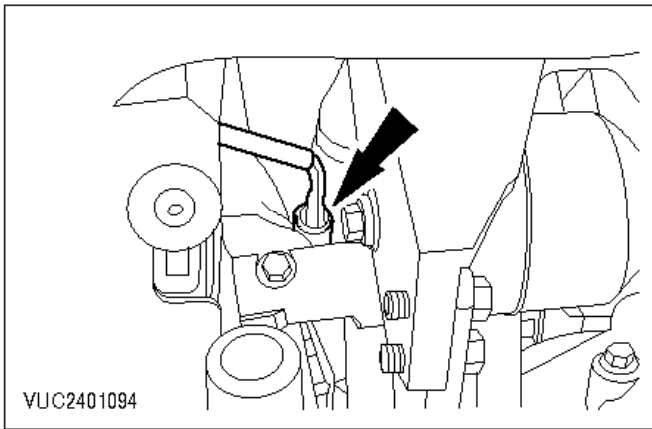
CAUTION:
Disconnect the battery negative lead.



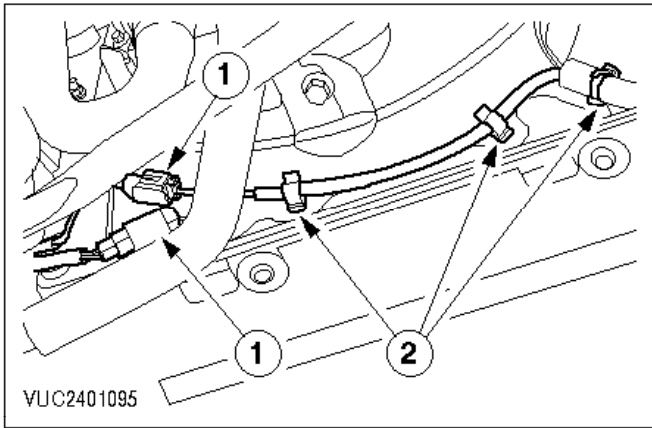
1. Detach the HEGO multiplugs from the fan shroud.



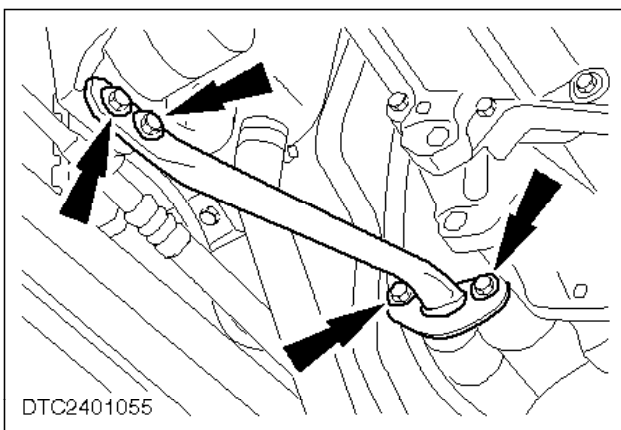
2. Remove the top retaining nut and plate.



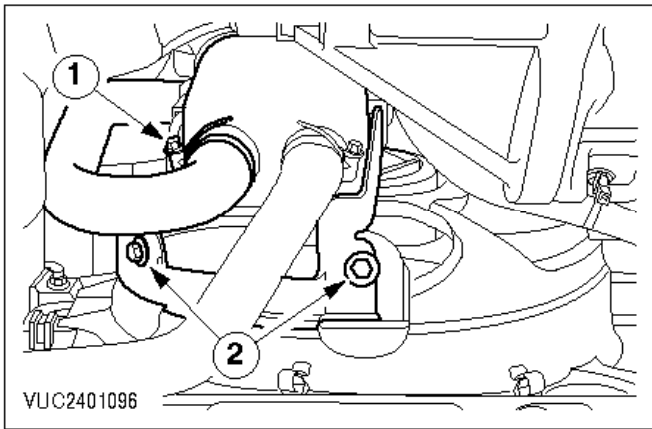
3. Disconnect the fan motor multiplug.



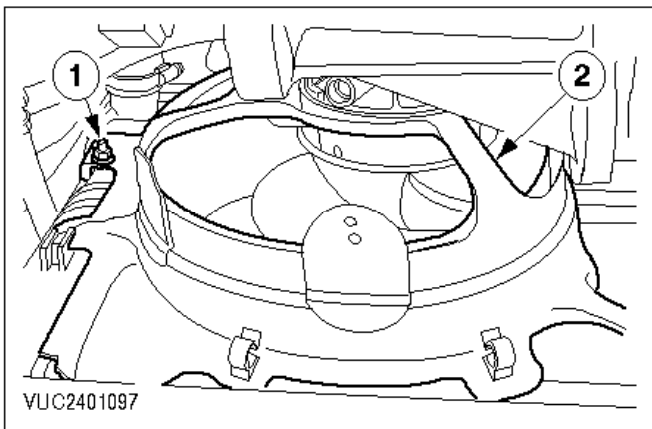
4. Disconnect the multiplugs and detach the wiring loom from the retaining clips.
- 1 Disconnect the multiplugs.
 - 2 Detach the wiring loom from the retaining clips.



5. Remove the engine stabiliser bar (four bolts).



- ⦿ 6. Remove the pulse air filter from the fan shroud.
 - 1 Disconnect the pulse air hose.
 - 2 Remove the pulse air filter.



Note:
Disconnect the heater hose from the fan shroud.

- ⦿ 7. Remove the fan shroud.
 - 1 Remove the two nuts (one each side).
 - 2 Remove the fan shroud.

Install

- 8. Refit the components in reverse order.
-