

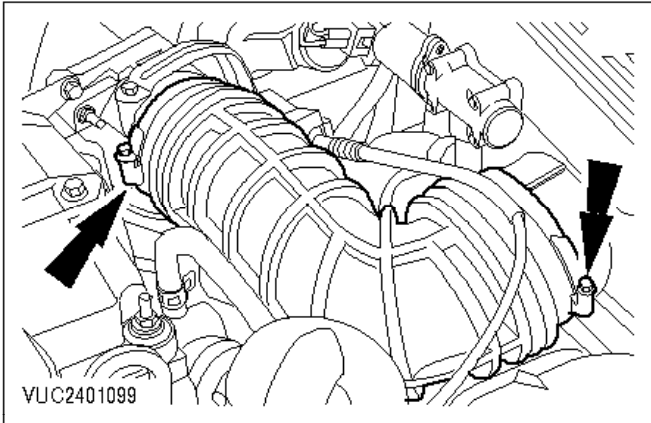
Thermostat (2.0 DOHC 16V) - Remove And Install (24 454 0)

Remove

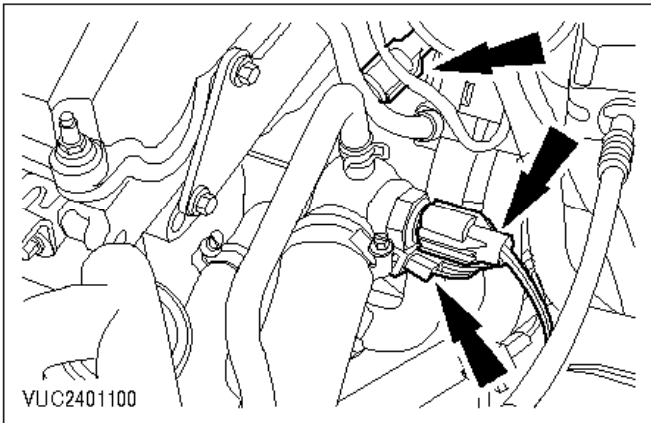


CAUTION:
Disconnect the battery negative lead.

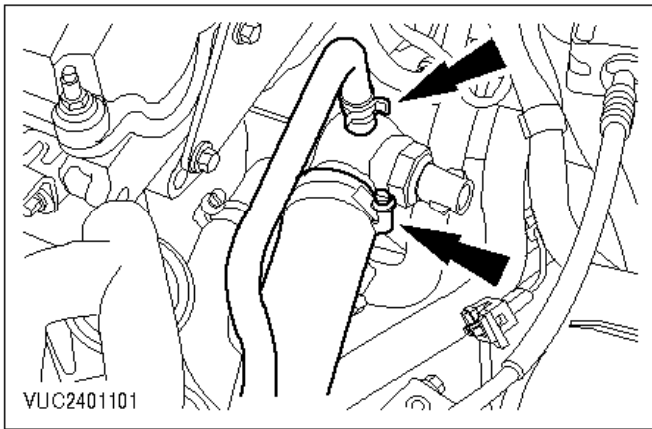
1. Drain the cooling system (refer to «Operation Number 24 122 0»).



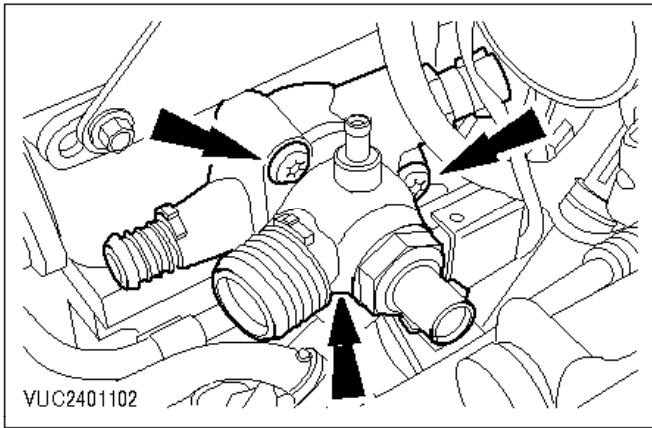
2. Remove the air cleaner duct (two clips).



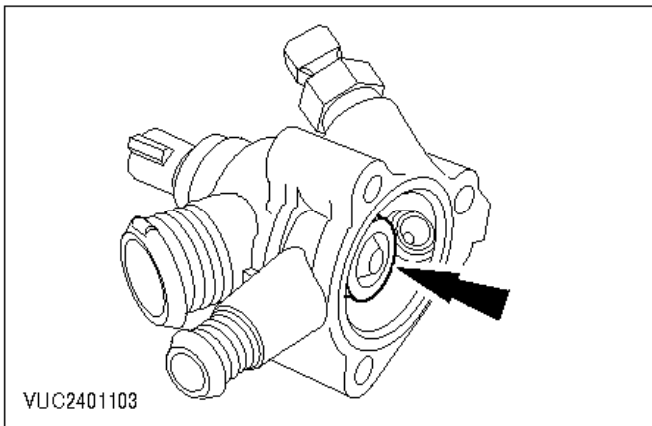
3. Disconnect the multiplugs.



- ⌚ 4. Disconnect the coolant hoses.



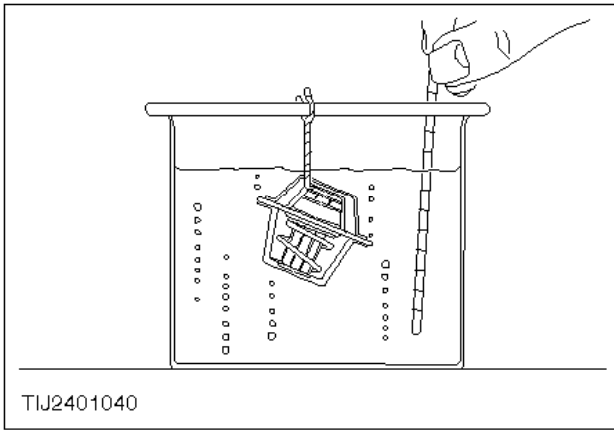
- ⌚ 5. Remove the thermostat housing (three bolts).



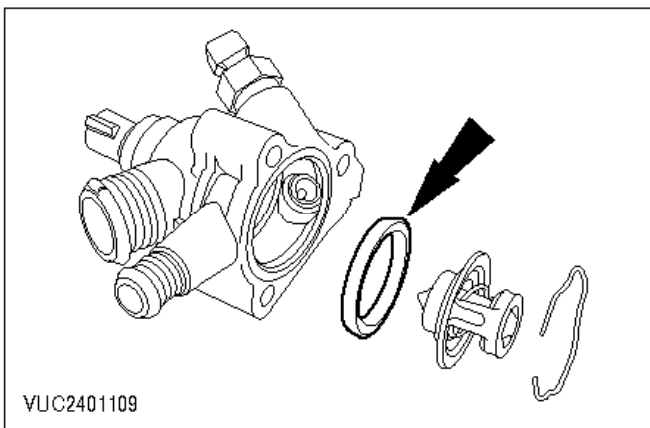
- ⌚ 6. Remove the thermostat from the thermostat housing.

Thermostat - Test (Thermostat Removed) (24 451 0)

7. Suspend the thermostat in water, in a suitable container.
Ensure the thermostat does not touch the sides of the container.



8. Gradually heat the water, frequently checking the temperature with a thermometer.
If the thermostat function is incorrect fit a new thermostat.



Install

9. Renew the O-ring seal.
 10. Refit the components in reverse order.
 11. Refill the cooling system and check for leaks (refer to «**Operation Number 24 122 0**»).
-