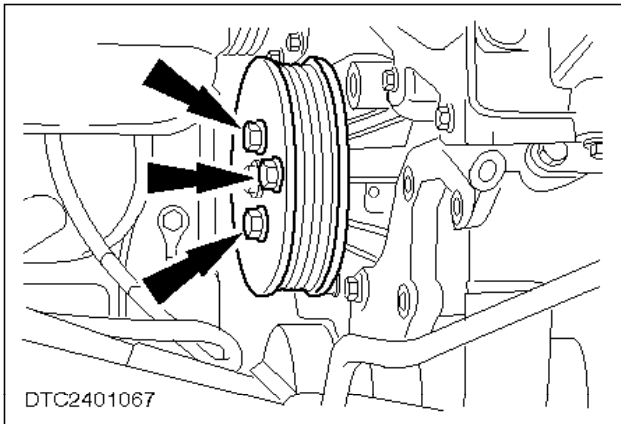


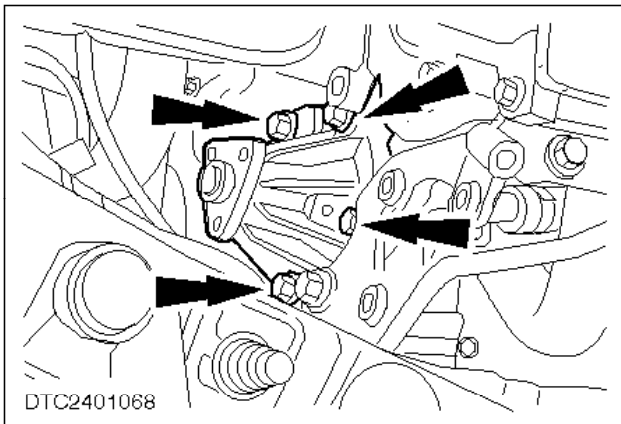
## Water Pump Assembly (2.0 DOHC 16V) - Remove And Install (24 404 0)

### Remove

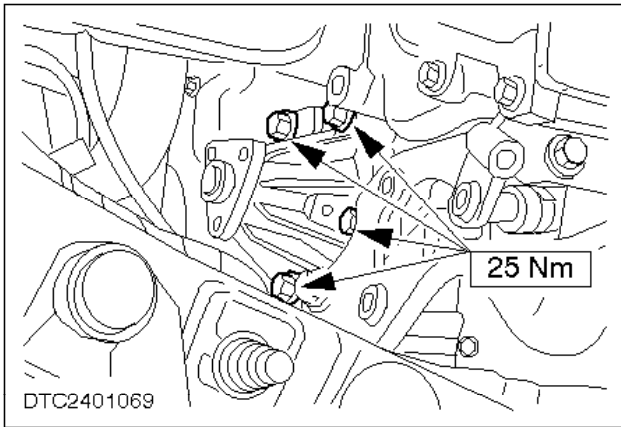
1. Drain the cooling system (refer to «Operation Number 24 122 0»).
2. Remove the power steering pump (refer to «Operation Number 13 434 0»).



3. Remove the water pump pulley (three bolts).



4. Remove the water pump (four bolts).  
Discard the seal.



## Install

- 5. Refit the components in reverse order.  
Fit a new seal.
- 6. Refill the cooling system and check for leaks (refer to «**Operation Number 24 122 0**»).

