

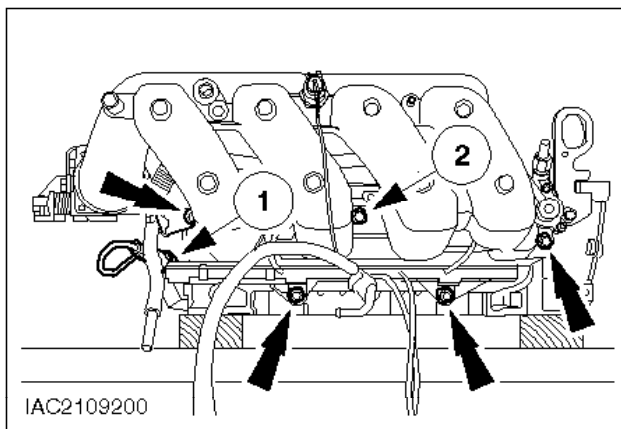
Cylinder Head - Renew (cylinder head removed) (21 165 6)

Materials

Wooden blocks	
Engine oil	Refer to General Specifications

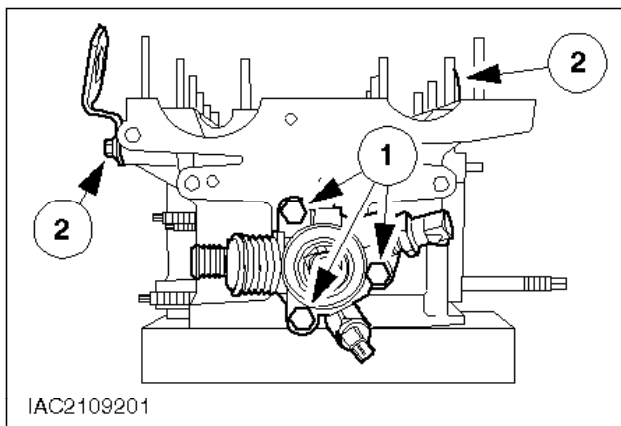
Renew

1. Remove the cylinder head as described in «Operation Number 21 163 0».
2. Lay the cylinder head on wooden blocks.
3. Remove the hydraulic tappets and put them down in order.



- ⌚ 4. Remove the inlet manifold.

- 1 Disconnect the plug of the engine coolant temperature sensor (ECT sensor).
- 2 Remove the inlet manifold.



- ⌚ 5. Detach the thermostat housing and engine lifting eyes.

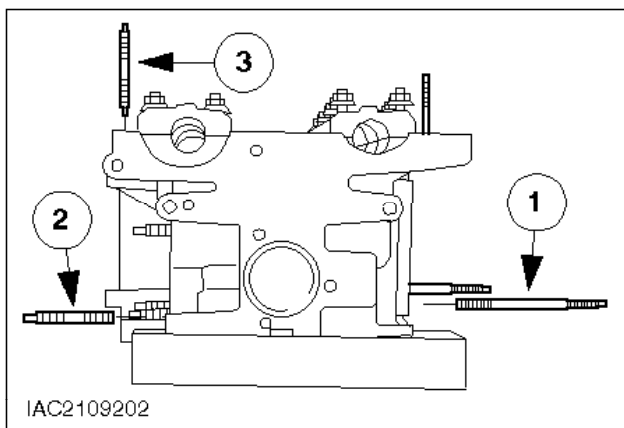
- 1 Thermostat housing
- 2 Engine lifting eyes

6. Preparations

Note:

Do not wear away any material during cleaning.

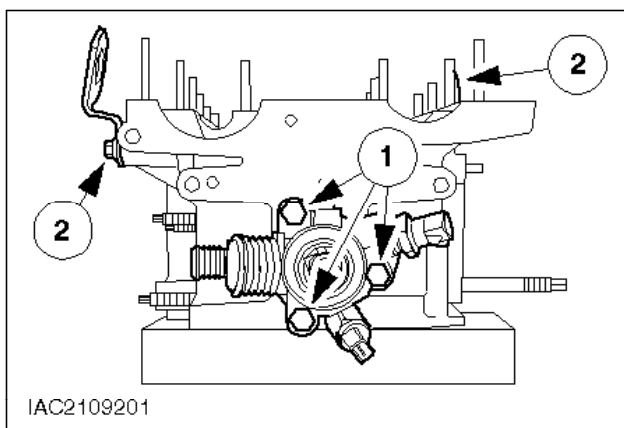
Clean all the mating faces and reusable parts thoroughly with a spatula where necessary and check them for damage.



7. Screw the studs into the cylinder head.

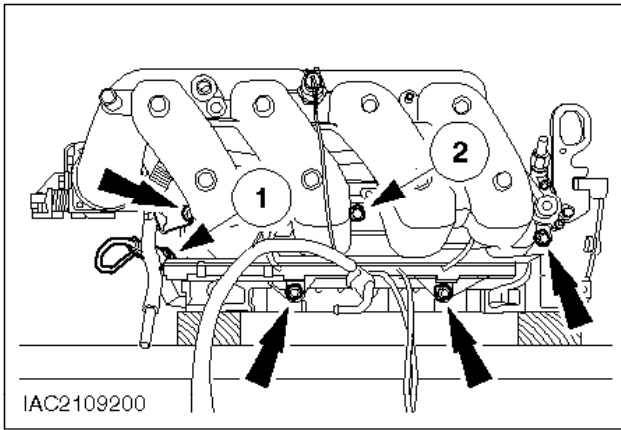
- 1 Inlet manifold (two studs).
- 2 Exhaust manifold (eight studs).
- 3 Cylinder head cover (four studs).

Remove the camshaft bearing caps and put them down in order.



8. Fit the thermostat housing and the engine lifting eyes.

- 1 Thermostat housing
- 2 Engine lifting eyes



⌚ 9. Fit the inlet manifold.

- 1 Fit the inlet manifold.
- 2 Connect the ECT sensor plug.

Note:

Lubricate the hydraulic tappets with engine oil.

10. Install the hydraulic tappets.
 11. Install the cylinder head as described in «**Operation No. 21 163 0**».
-