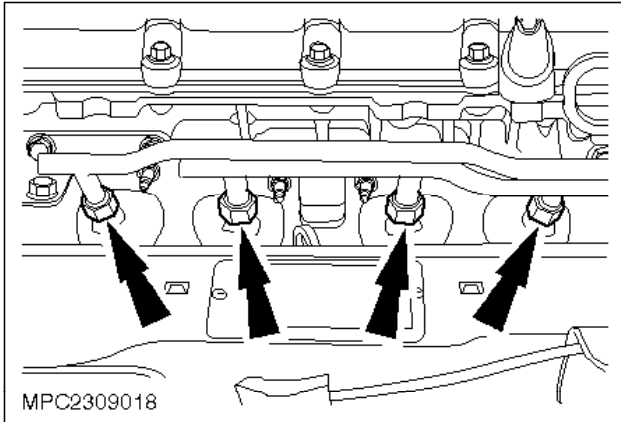
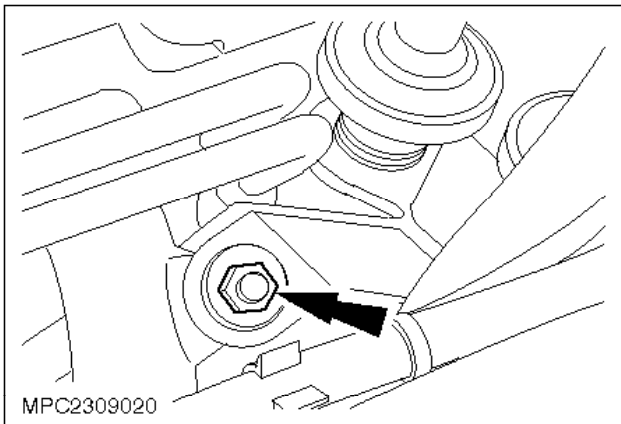

Pipe Assembly - Pulsed Secondary Air Injection - Renew (23 316 0)

Renew

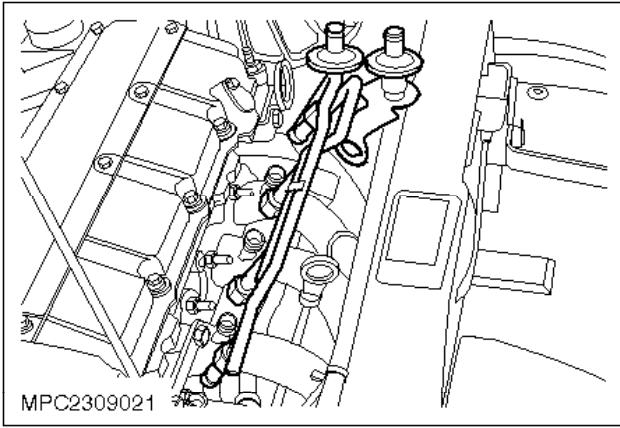
1. Disconnect the hose from the pulsed secondary air injection pipe assembly (two clips).



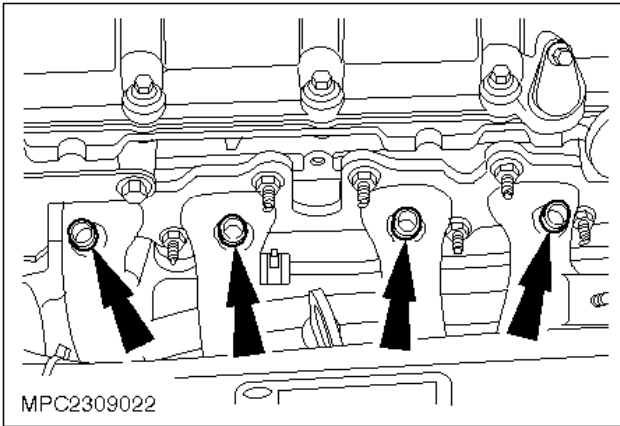
2. Unscrew the four pulsed secondary air injection pipe assembly unions from the exhaust manifold.



3. Remove the pulsed secondary air injection pipe assembly support bracket retaining nut.



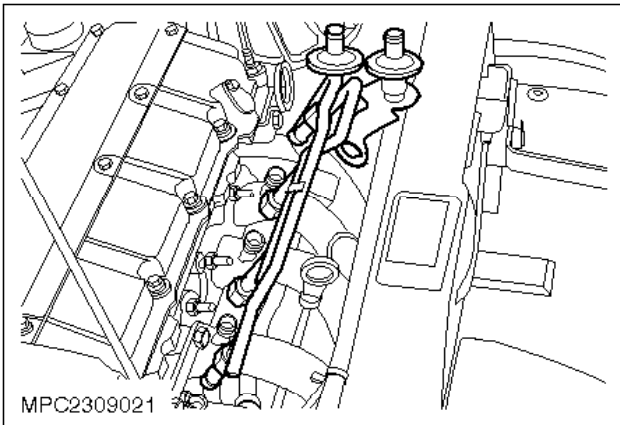
- 4. Remove the pulsed secondary air injection pipe assembly.



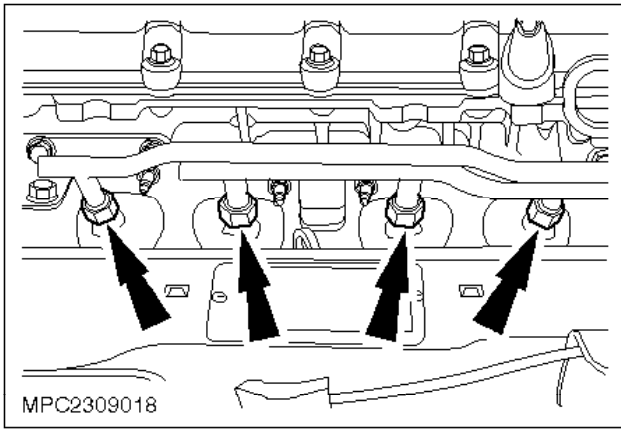
CAUTION:

When cleaning of the threads is required, take care not to allow debris to fall into the exhaust manifold.

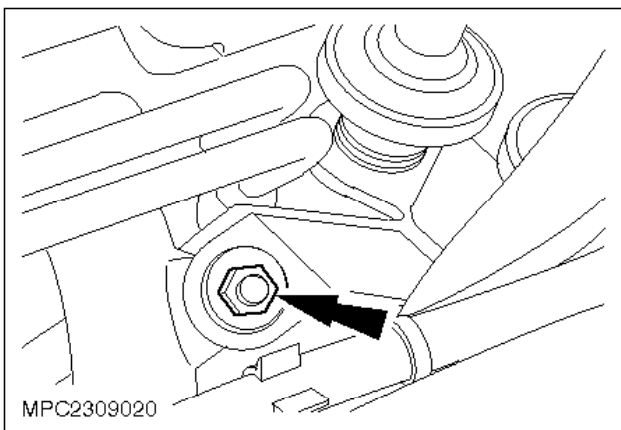
- 5. Clean the threads of the exhaust manifold.



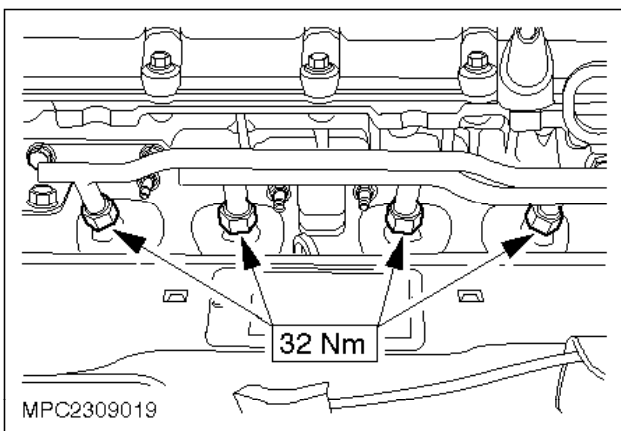
- 6. Renew the pulsed secondary air injection pipe assembly.



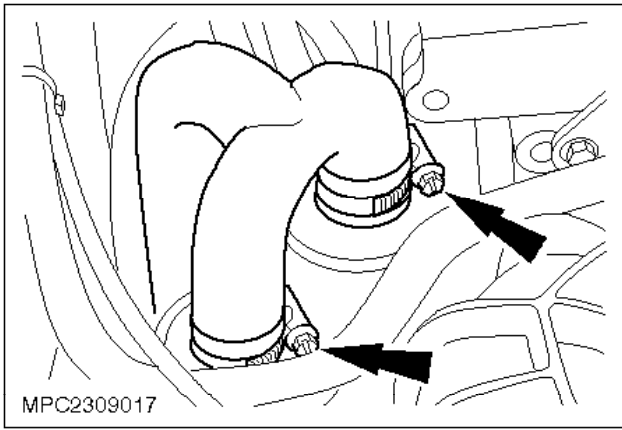
- 7. Loosely assemble the four pulsed secondary air injection pipe assembly unions to the exhaust manifold.



- 8. Refit the pulsed secondary air injection pipe assembly support bracket retaining nut.



- 9. Tighten the four pulsed secondary air injection pipe assembly unions.



MPC2309017

- 10. Reconnect the hose from the pulsed secondary air injection pipe assembly (two clips).
-