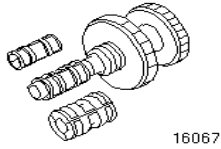


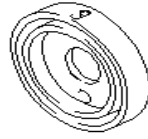
## Seal - Crankshaft Rear - Remove (Engine or Transmission Removed) (21 468 4)

### Special Tools



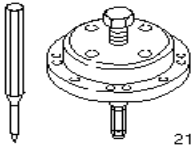
16067

16-067Locator, clutch disc



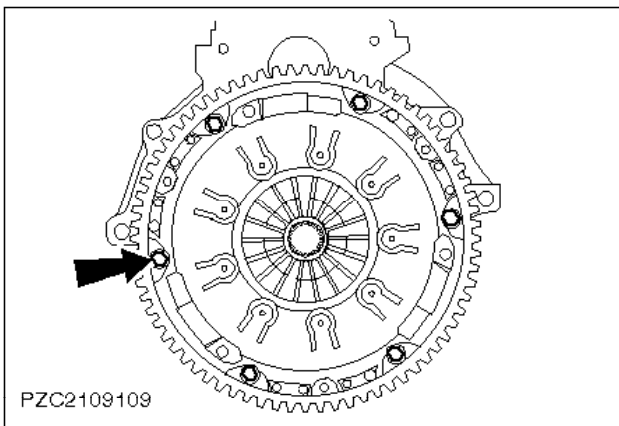
21141

21-141Crankshaft rear oil seal installer



21151

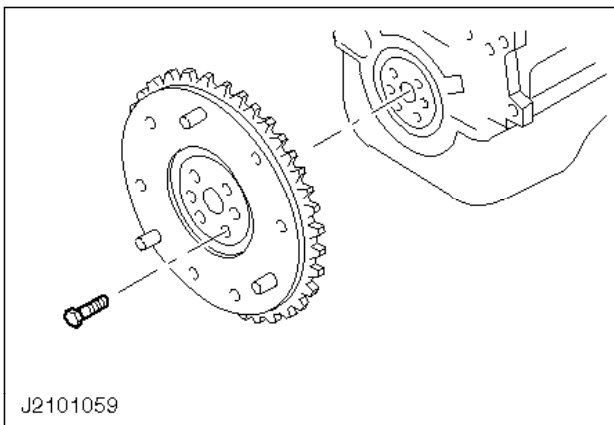
21-151Remover, crankshaft rear oil seal



PZC2109109

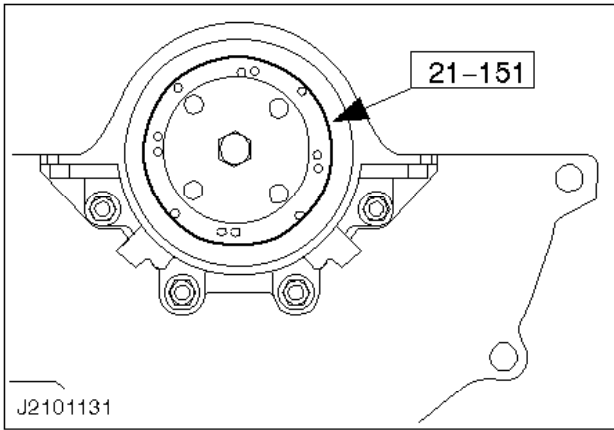
### Remove

1. Dismantle the clutch.



J2101059

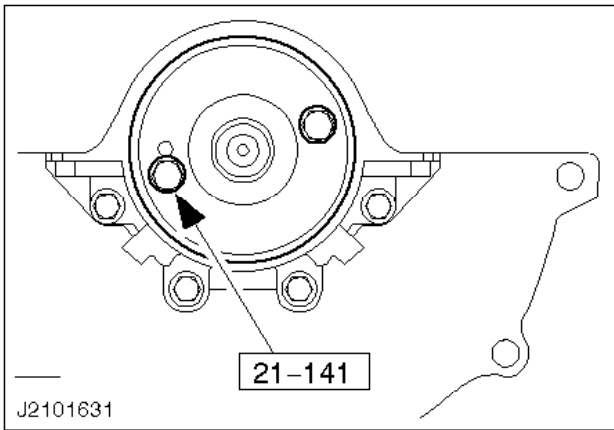
2. Remove the flywheel (six bolts).



**Note:**

Do not remove the rear oil seal carrier.

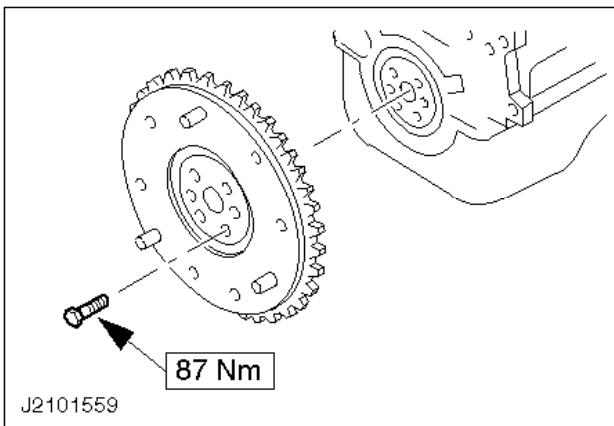
- 3. Pull out the oil seal.



**Install**

- 4. Draw the oil seal into the oil seal carrier.

Draw in the oil seal with the special tool and two flywheel bolts.

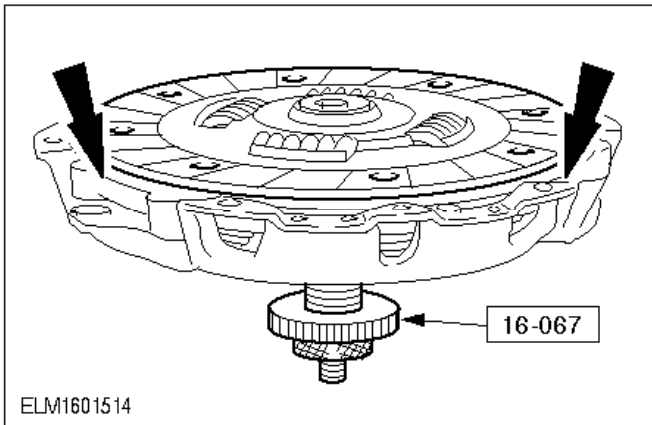


**CAUTION:**  
Use new bolts.

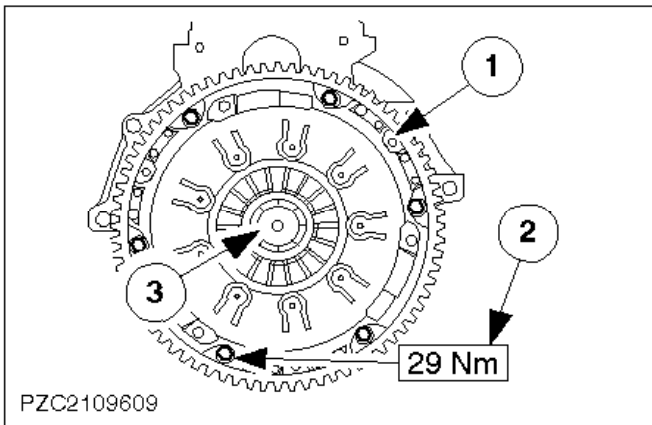
Note:

There is only one installation position.

5. Fit the flywheel (6 bolts).



6. Centre the clutch disc on the pressure plate.



7. Fit the clutch.

- 1 Fit the clutch pressure plate with the centred clutch disc.
  - 2 Tighten the bolts (x 6) uniformly, working diagonally.
  - 3 Remove the special tool.
-