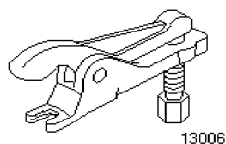
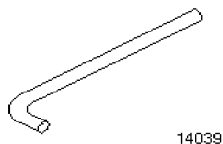


## Spindle Carrier - Remove And Install (14 343 0)

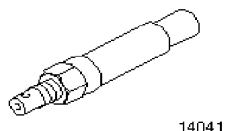
### Special Tools



13-006 Ball joint separator

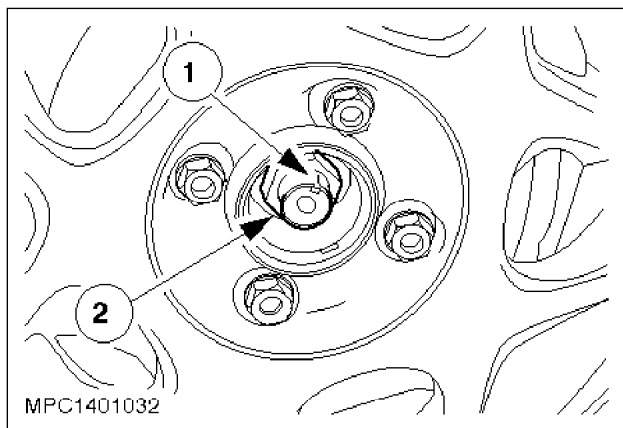


14-039 Spindle carrier lever



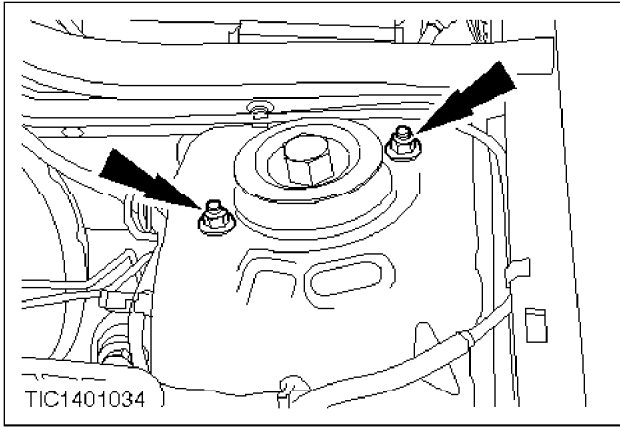
14-041 Puller, driveshaft (25 spline)

Proprietary Tools



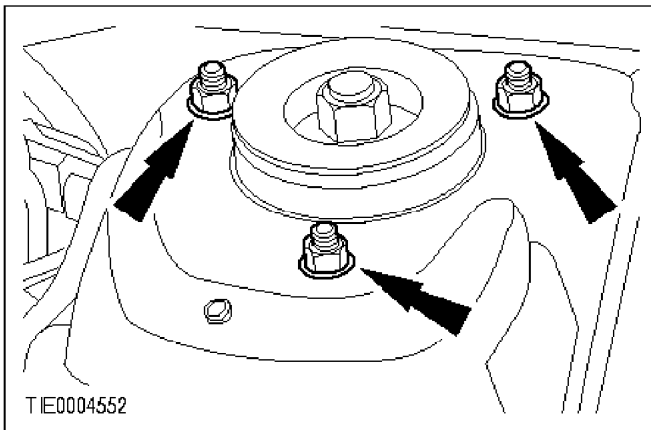
### Remove

1. Slacken the hub retaining nut.
  - 1 Bend back the locking tab.
  - 2 Slacken the hub retaining nut.



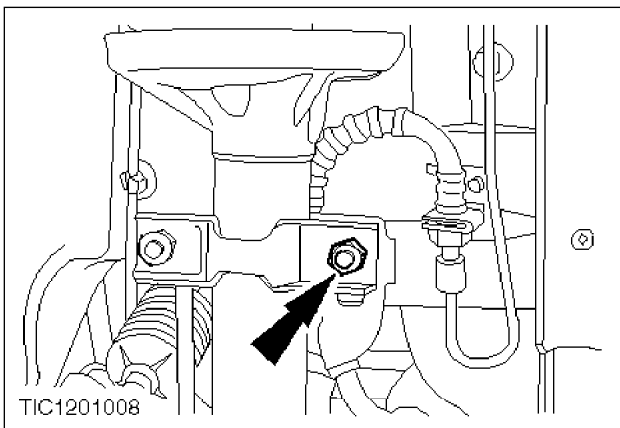
### Vehicles built up to 01/1995

- 2. Slacken the two suspension unit assembly top mount nuts.
- 3. Slacken the wheel nuts, raise the vehicle and remove the front road wheel.



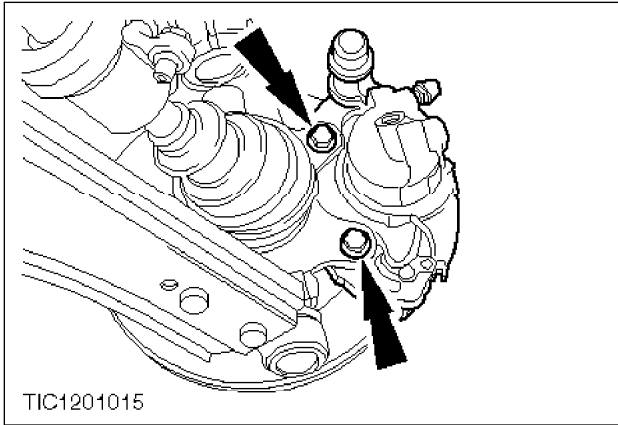
### Vehicles built 01/1995 onwards

- 4. Slacken the three suspension unit assembly top mount nuts.



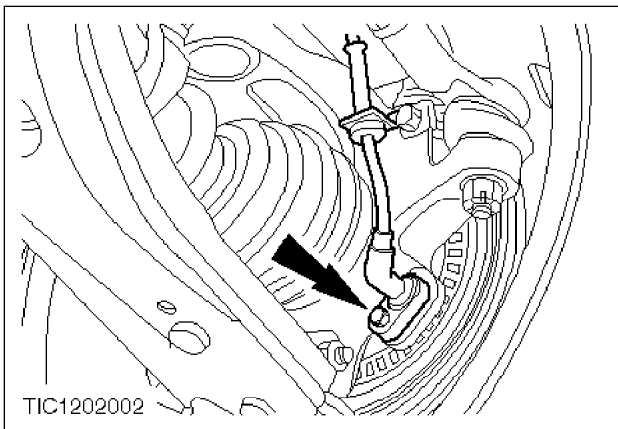
### All vehicles

- 5. Detach the brake hose bracket (one nut).



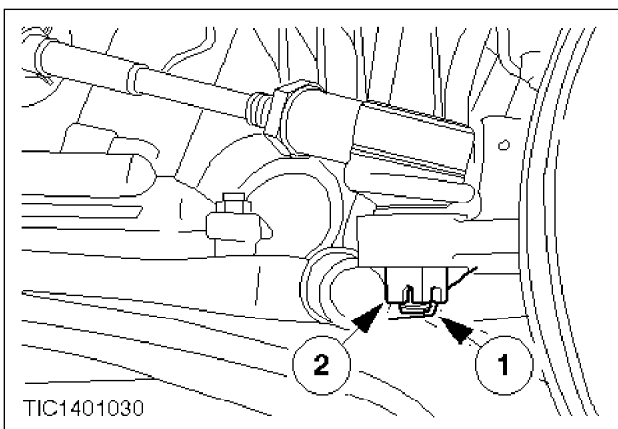
- 6. Detach the caliper assembly (two bolts).

Suspend the caliper assembly to prevent damage to the flexible brake hose.



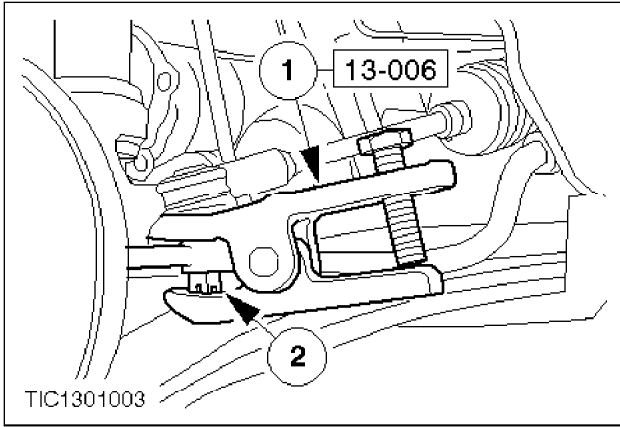
### Vehicles with ABS

- 7. Remove the ABS sensor (one bolt).



### Vehicles built up to 02/1995

- 8. Slacken the track rod end castellated nut.
  - 1 Remove the split pin and discard.
  - 2 Slacken the castellated nut.

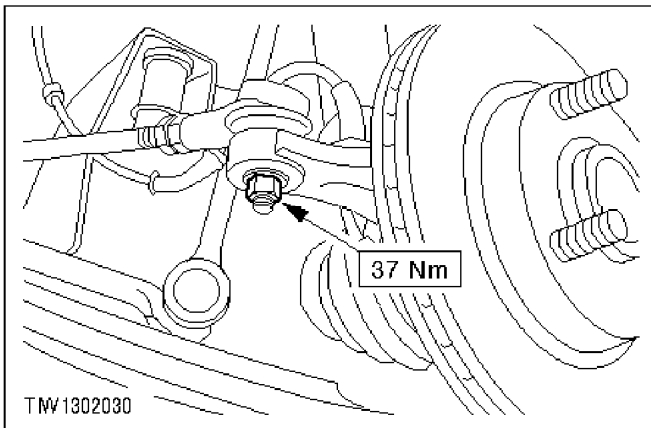


**Note:**

When the track rod end is separated from the spindle carrier the ball joint seal should be wrapped in cloth to protect it.

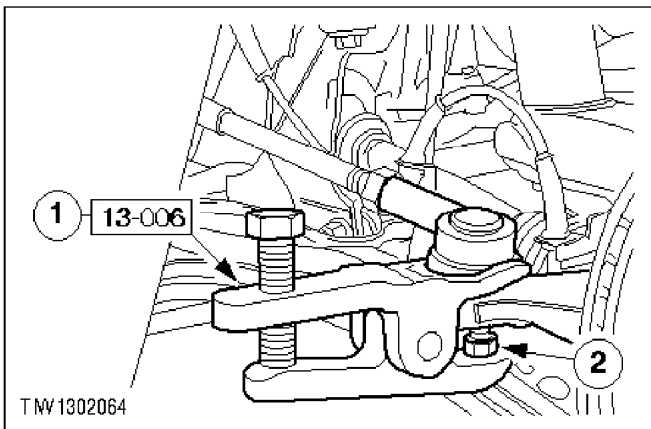
- 9. Release the track rod end from the spindle carrier.

- 1 Release the track rod end.
- 2 Remove the castellated nut.



**Vehicles built 02/1995 onwards**

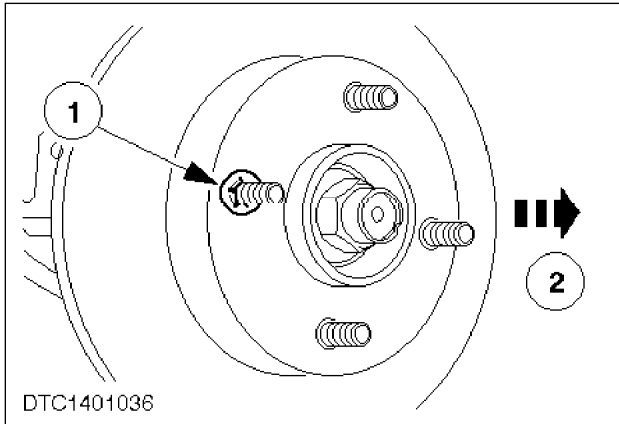
- 10. Slacken the track rod end retaining nut.



**Note:**

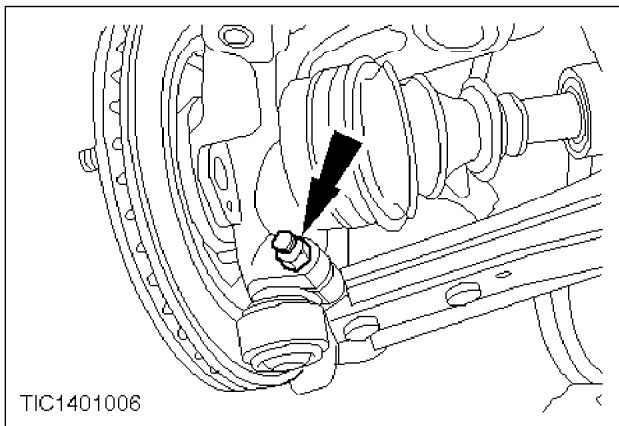
When the track rod end is separated from the spindle carrier the ball joint seal should be wrapped in a cloth to protect it.

- 11. Release the track rod end from the spindle carrier.
  - 1 Release the track rod end.
  - 2 Remove the retaining nuts.



#### All vehicles

- 12. Remove the brake disc.
  - 1 Remove the disc retainer.
  - 2 Remove the disc.

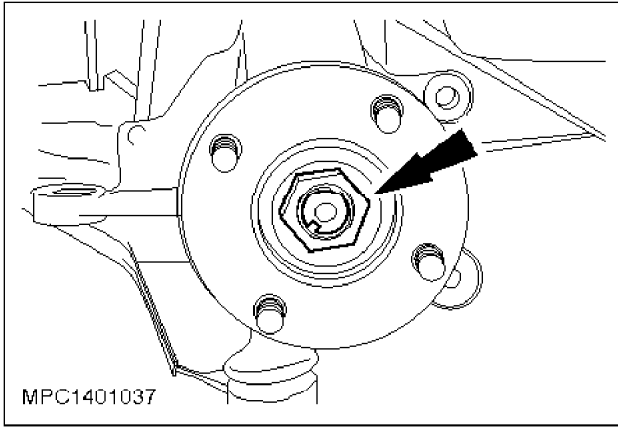


- 13. Remove the lower arm to spindle carrier pinch bolt and nut.

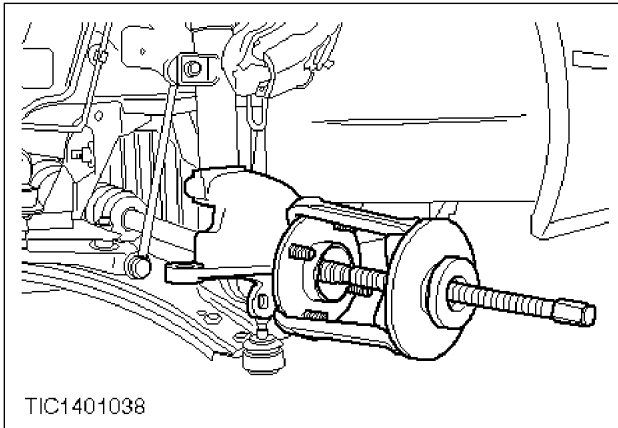
#### Note:

When the lower arm is separated from the spindle carrier the ball joint seal should be wrapped in a cloth to protect it.

- 14. Disconnect the lower arms from the spindle carriers.



- 15 Remove the hub retaining nut and washer.



**CAUTION:**

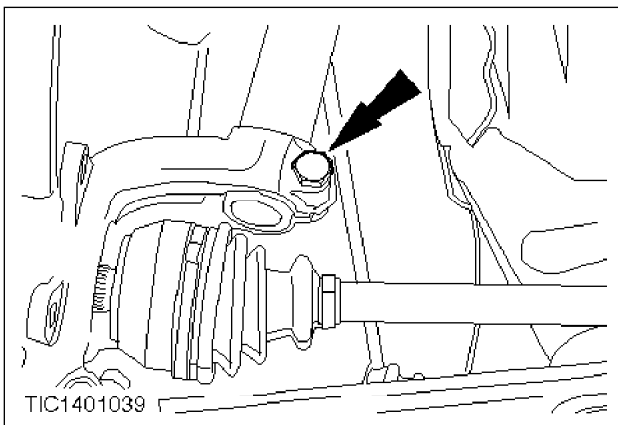
When removing the spindle carrier ensure that the driveshaft does not disengage from inner constant velocity joint.



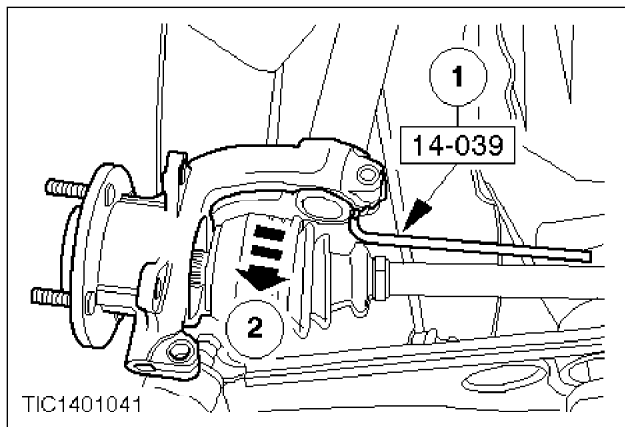
**CAUTION:**

When removing the spindle carrier do not separate the spindle carrier from the hub as bearing seals will become displaced resulting in premature bearing failure.

- 16 Pull the spindle carrier off the driveshaft.

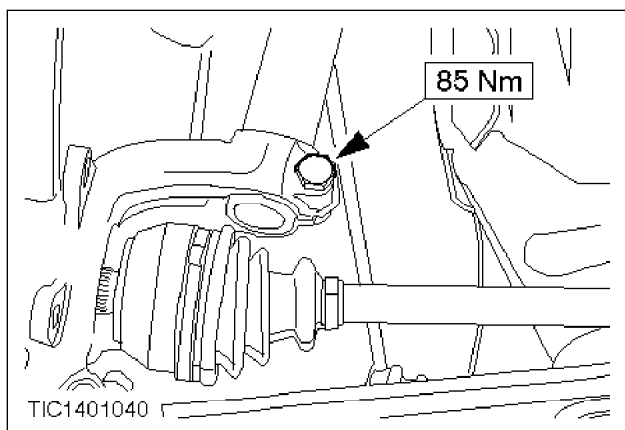


- 17 Remove the pinch bolt securing the suspension unit assembly to the spindle carrier.



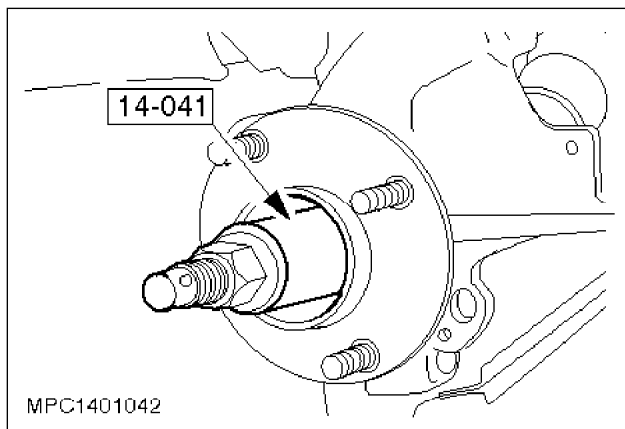
18. Remove the spindle carrier from the suspension unit assembly.

- 1 Insert the special tool and rotate through 90°.
- 2 Remove the spindle carrier.

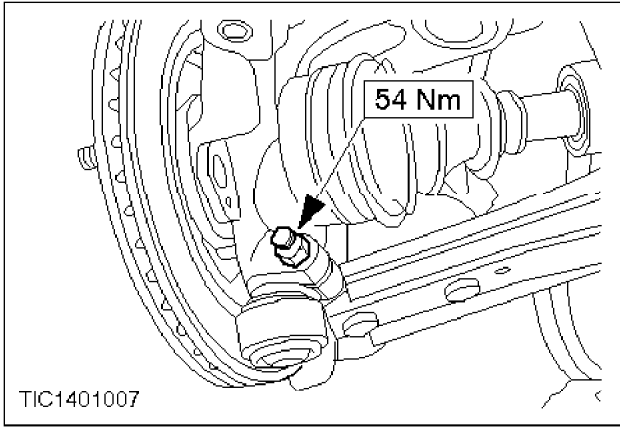


### Install

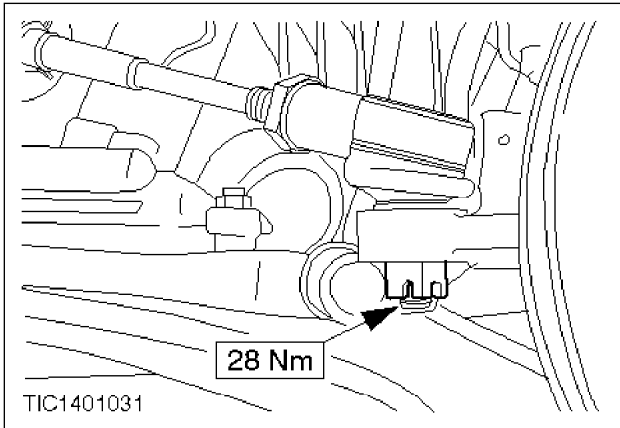
19. Refit the components in reverse order.



19.



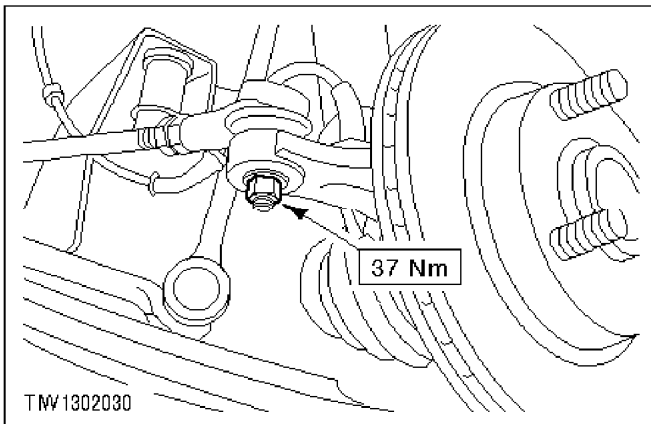
Ⓒ



### Vehicles built up to 02/1995

Note:  
Install new split pins.

- Ⓒ 20 Install the track rod end.

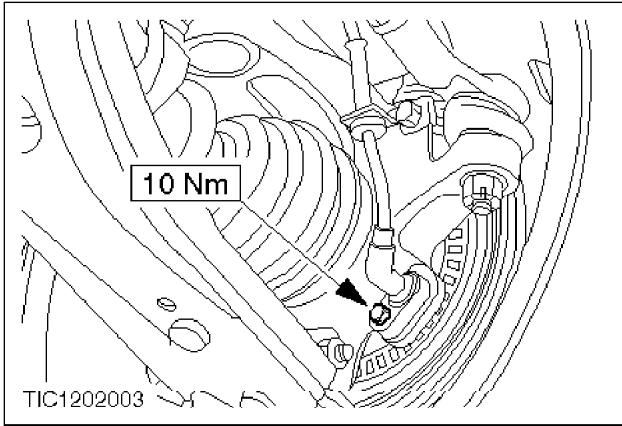


### Vehicles built 02/1995 onwards

Note:  
Install new nyloc retaining nuts.

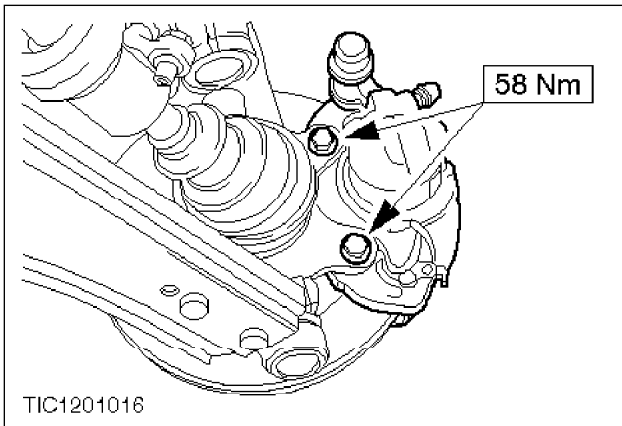
- Ⓒ 21 Install the track rod end.





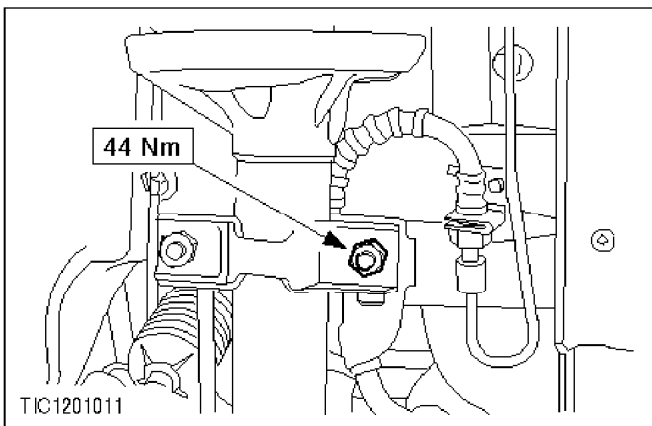
### Vehicles with ABS

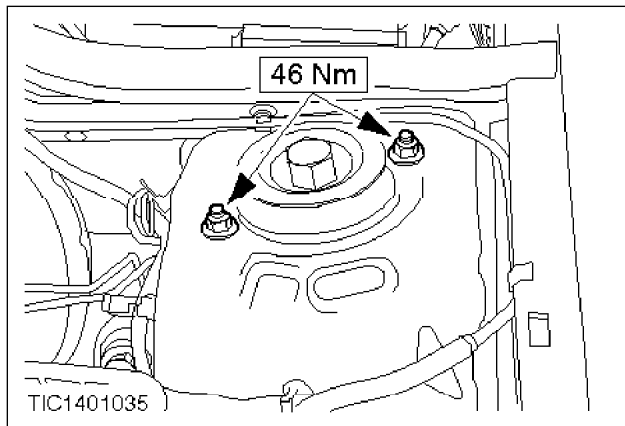
- 22. Install the ABS sensor (one bolt).



### All vehicles

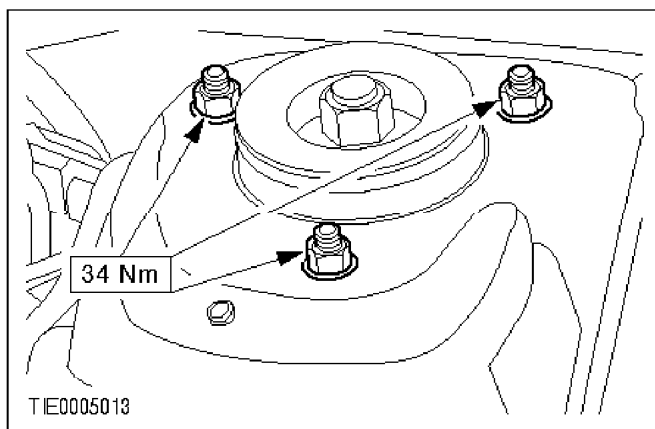
- 23. Install the caliper assembly (two bolts).





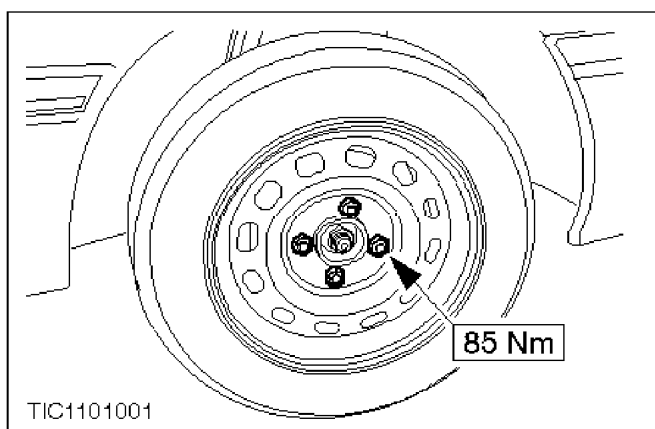
### Vehicles built up to 01/1995

- 24 Install the two suspension unit assembly top mount nuts.



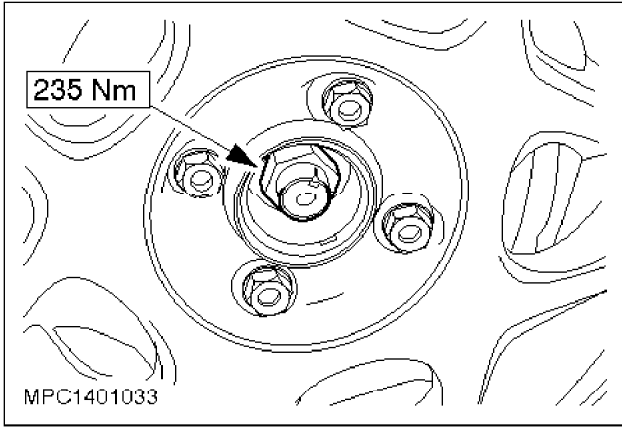
### Vehicles built 01/1995 onwards

- 25 Install the three suspension unit assembly top mount nuts.



### All vehicles

- 26 Install the wheel.



c

---