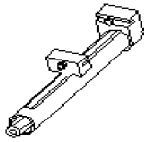


Suspension Unit - Front - Renew (Suspension Unit Assembly Removed) (14 783 4)

Special Tools



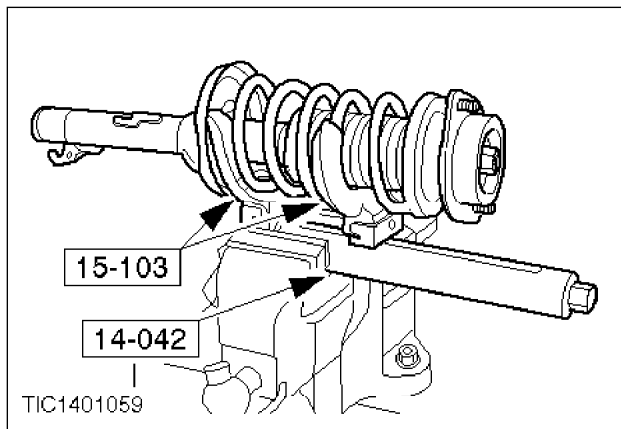
14042



15103

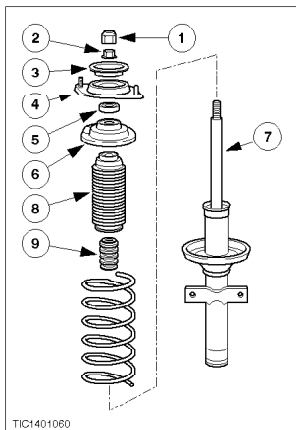
14-042 Spring compressor

15-103 Adaptor for 14-042



Remove

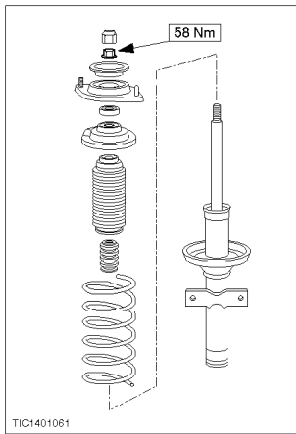
1. Compress the spring.



2. Disassemble the suspension unit assembly.

- 1 Remove the nut cap.
- 2 Remove the nut.
- 3 Remove the top mount cup.
- 4 Remove the top mount.
- 5 Remove the thrust bearing.
- 6 Remove the upper spring seat.

- 7 Remove the suspension unit.
- 8 Remove the gaiter.
- 9 Remove the bump stop.



Install

- ← 3. Refit the components in reverse order.
-