

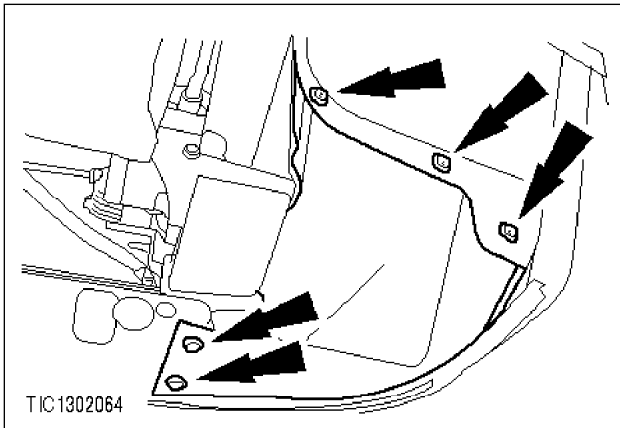
Pump Assembly - Power Steering (Endura-DE and TD without Air Conditioning) - Remove And Install (13 434 0)

Remove

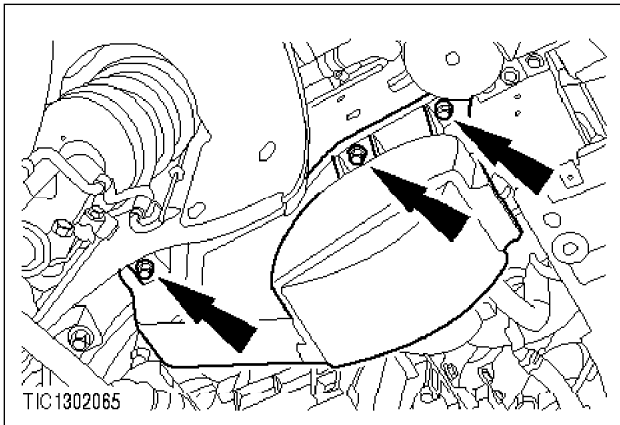


CAUTION:
Disconnect the battery negative lead.

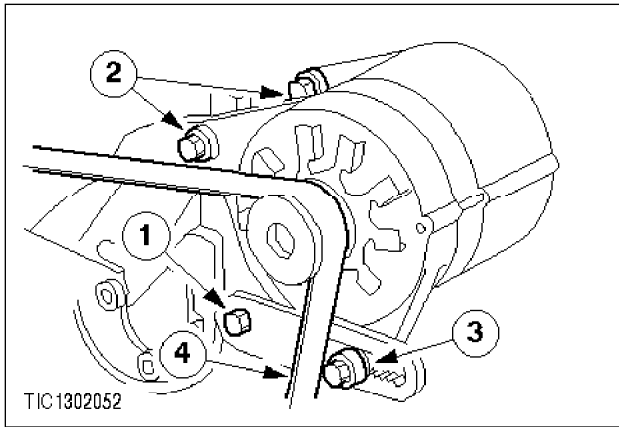
1. Raise the vehicle.



2. Remove the wheel arch air deflector (five bolts).

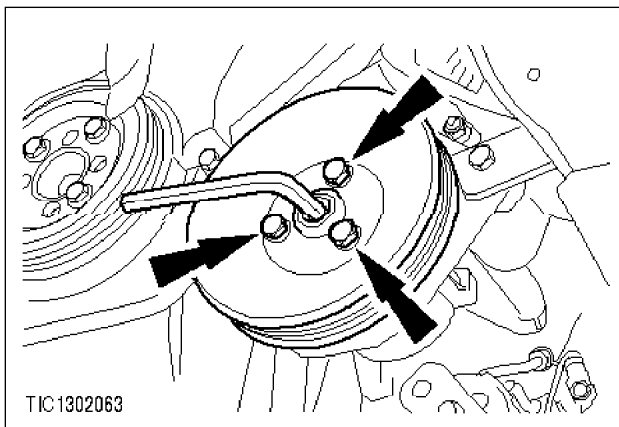


3. Remove the lower belt guard (three bolts).

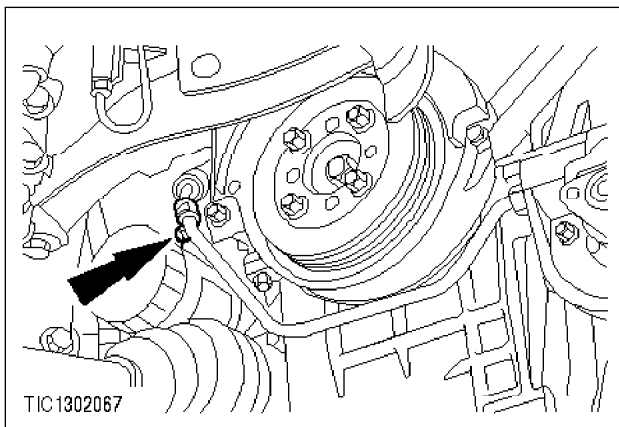


Drive Belt - Power Steering Pump - Remove (13 424 0)

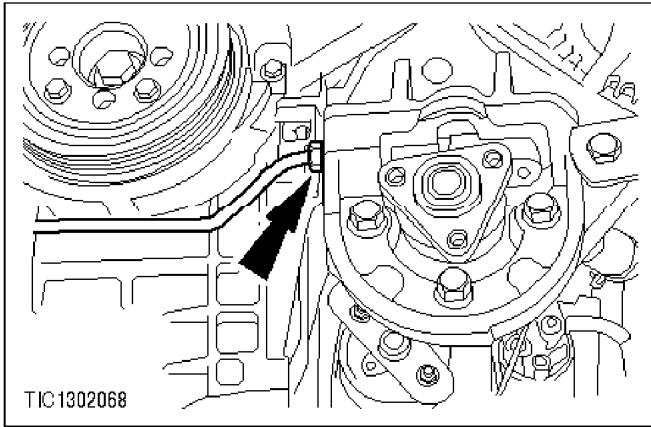
- 4. Remove the power steering pump drive belt.
 - 1 Slacken the clamp plate pivot bolt.
 - 2 Slacken the alternator retaining bolts.
 - 3 Slacken the clamp plate bolt.
 - 4 Remove the drive belt.



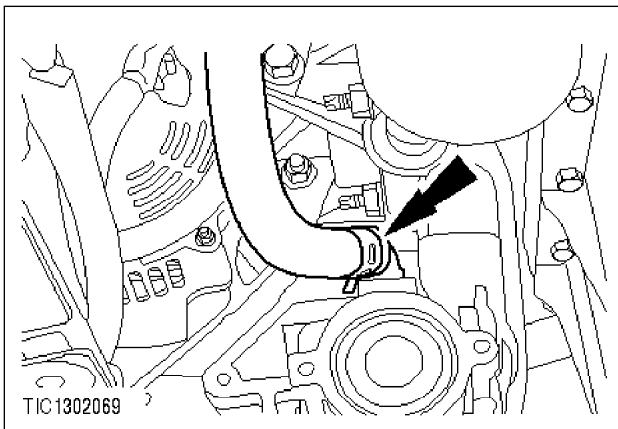
- 5. Remove the pulley (three bolts).
 - Hold the centre of the pulley with an Allen key.



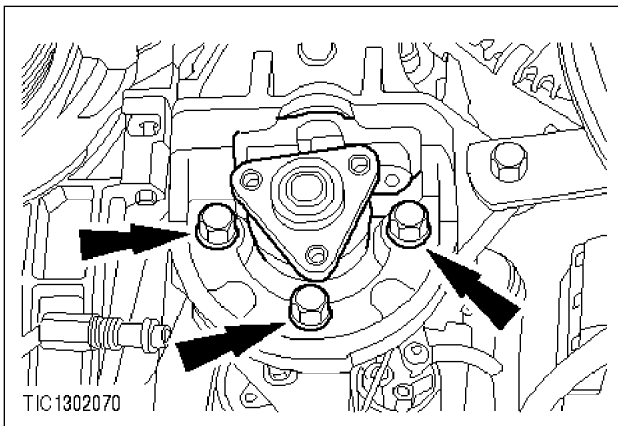
- 6. Detach the high pressure pipe securing bracket (one bolt).



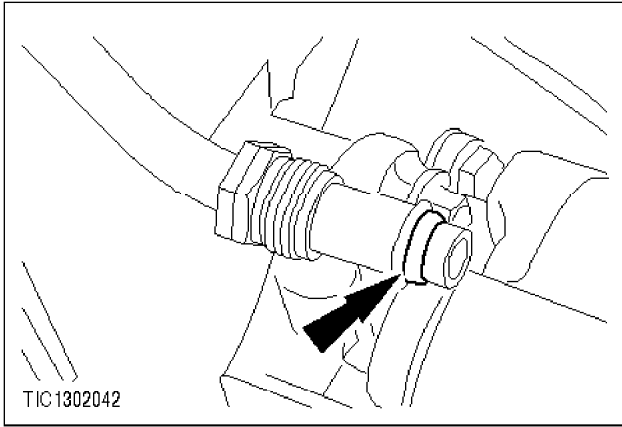
- 7. Disconnect the high pressure pipe.
 - Allow the fluid to drain into a suitable container.



- 8. Disconnect the low pressure hose.

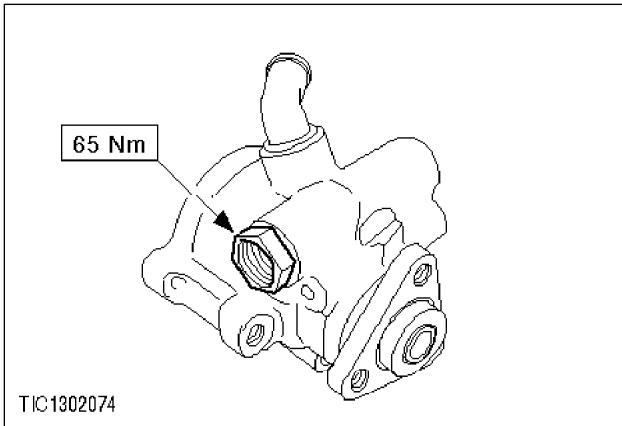


- 9. Remove the power steering pump (three bolts).

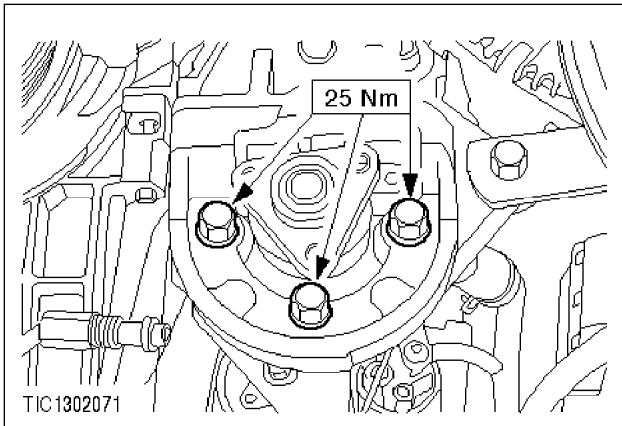


Install

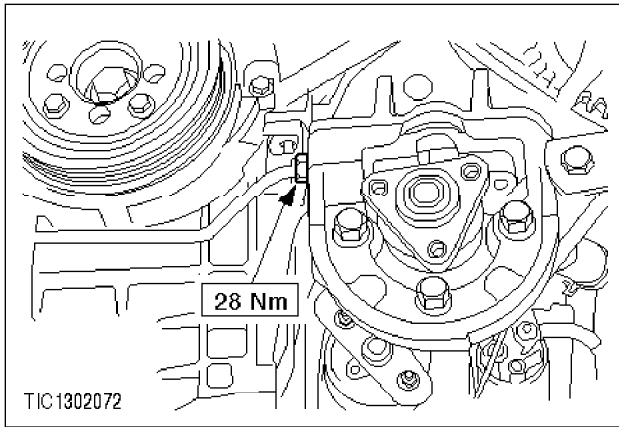
- 10 Renew the union O-ring.



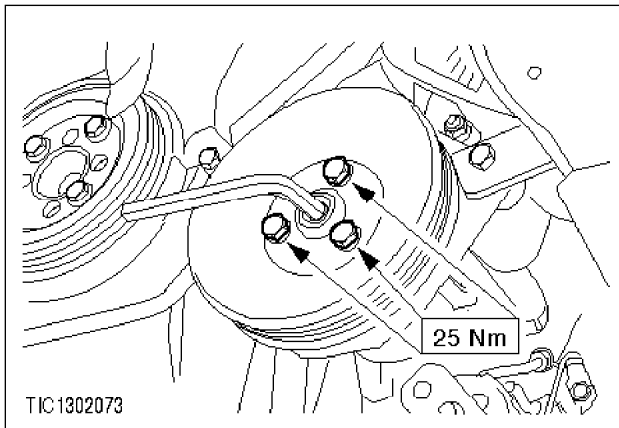
- 11 Refit the components in reverse order.



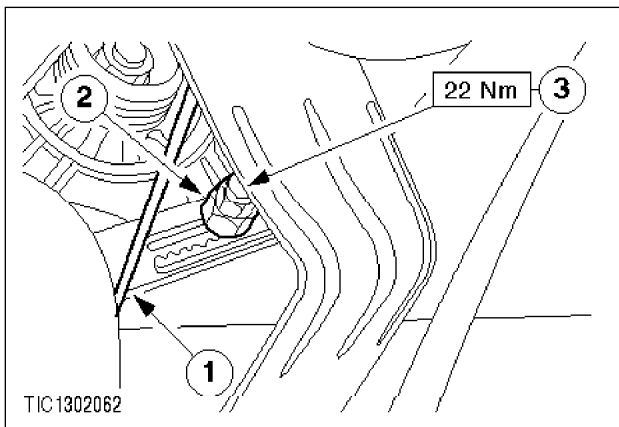
12



Ⓒ



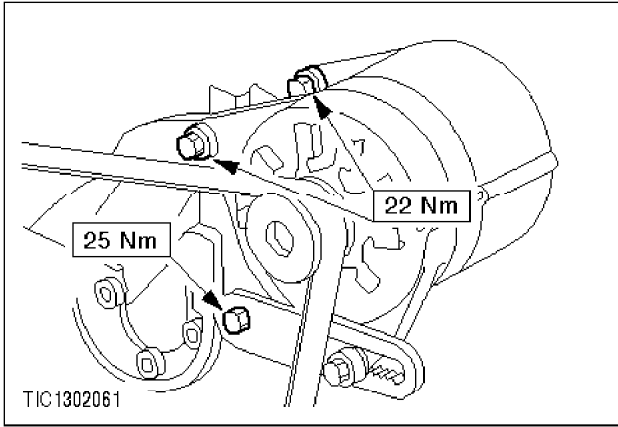
Ⓒ



Drive Belt - Power Steering Pump - Install (13 424 0)

Ⓒ 12 Tension the drive belt.

- 1 Locate the drive belt.
- 2 Tension the drive belt with the adjuster. Finger deflection = 1 to 3 mm (used belt) or 1 to 3 mm (new belt).
- 3 Tighten the clamp plate bolt.



- 13 Secure the alternator.
 - 14 Lower the vehicle.
 - 15 Bleed the power steering system (r«**Operation Number 13 4'5 0**»
-