

Pump Assembly - Power Steering - Remove And Install (Pre-Endura-DE) (13 434 0)

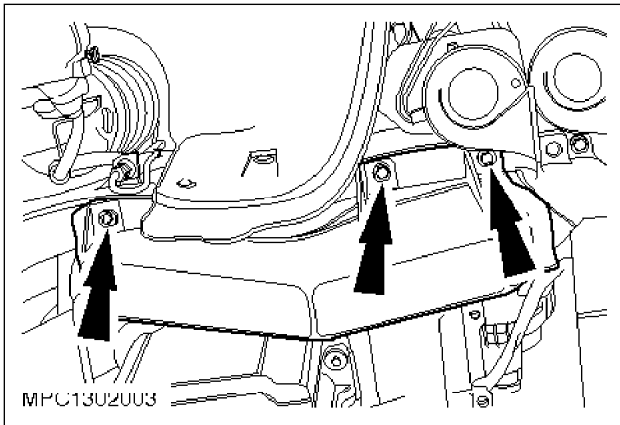
Remove



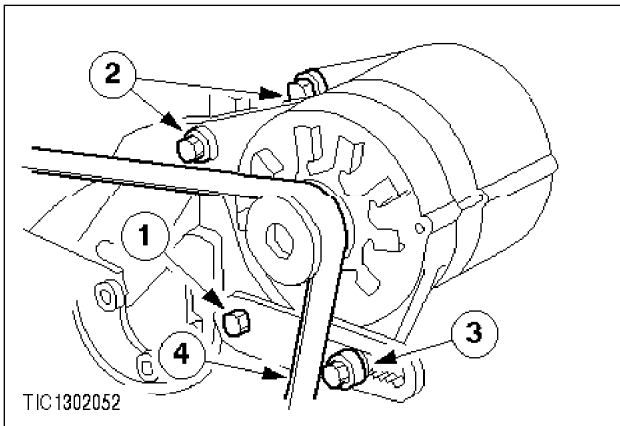
CAUTION:

Disconnect the battery negative lead.

1. Raise the vehicle.

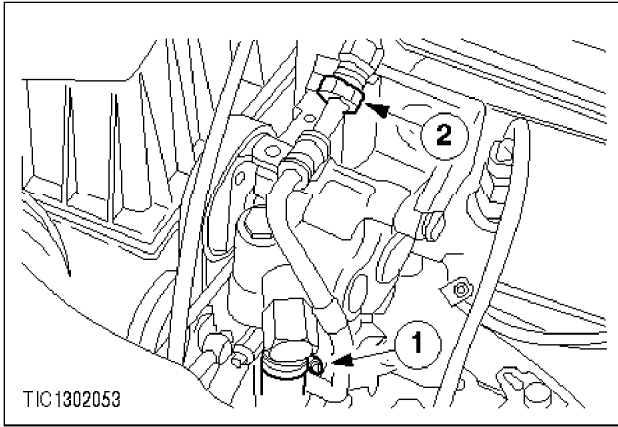


2. Remove the lower belt guard (three bolts).

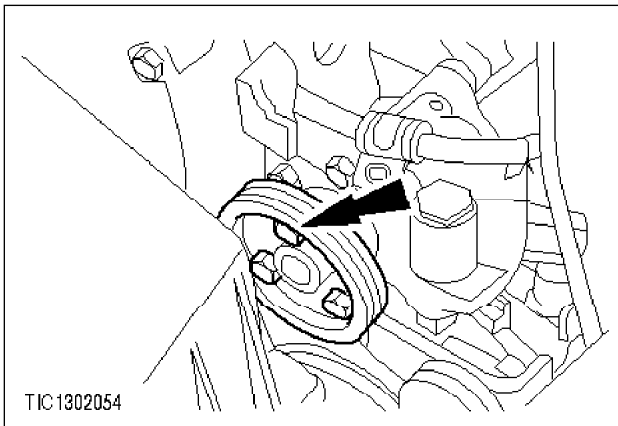


Drive Belt - Power Steering Pump - Remove (13 424 0)

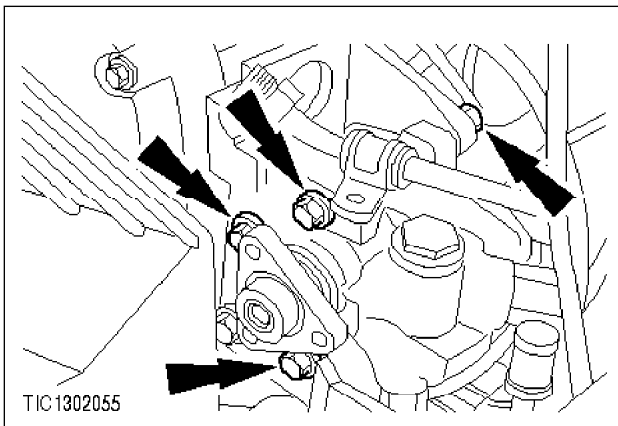
3. Remove the power steering pump drive belt.
 - 1 Slacken the clamp plate pivot bolt.
 - 2 Slacken the alternator bolts.
 - 3 Slacken the clamp plate bolt.
 - 4 Remove the drive belt.



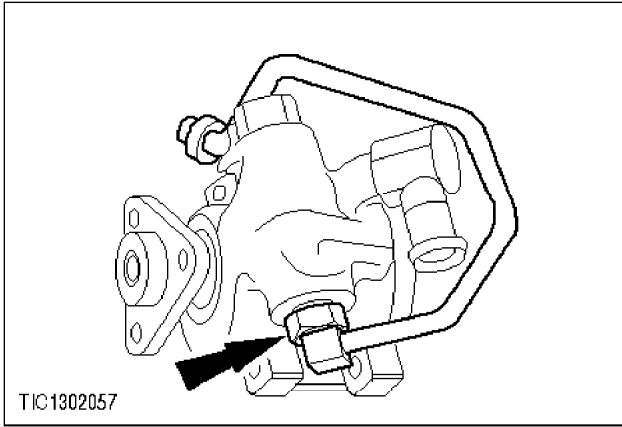
- 4. Disconnect the pipe and hose from the power steering pump.
 - 1 Disconnect the low-pressure hose.
 - Allow the fluid to drain into a suitable container.
 - 2 Disconnect the high-pressure pipe joint.



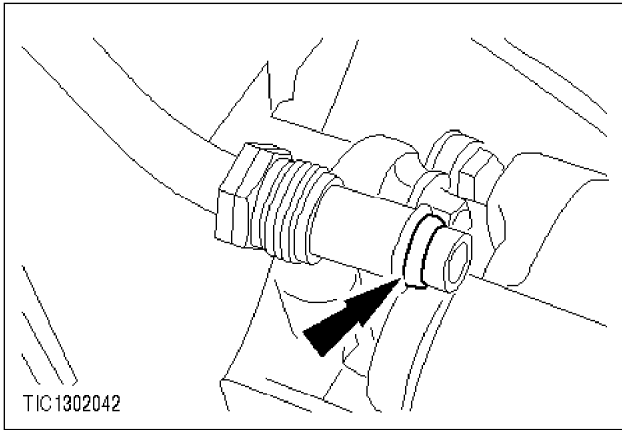
- 5. Remove the power steering pump pulley (three bolts).
 - Hold the centre of the pulley with an Allen key.



- 6. Remove the power steering pump.
 - 1 Remove three retaining bolts from the front of the pump.
 - 2 Remove one retaining bolt from the rear of the pump.

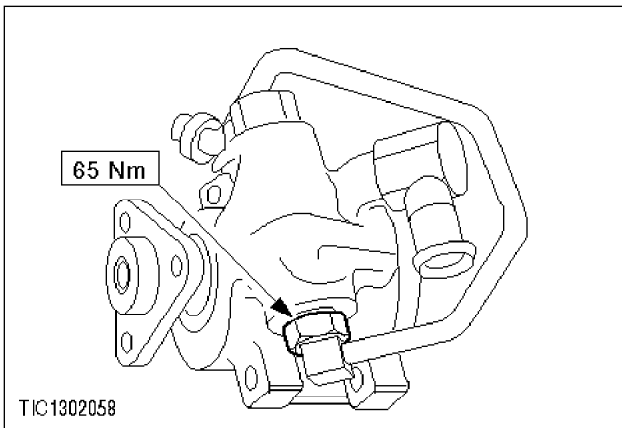


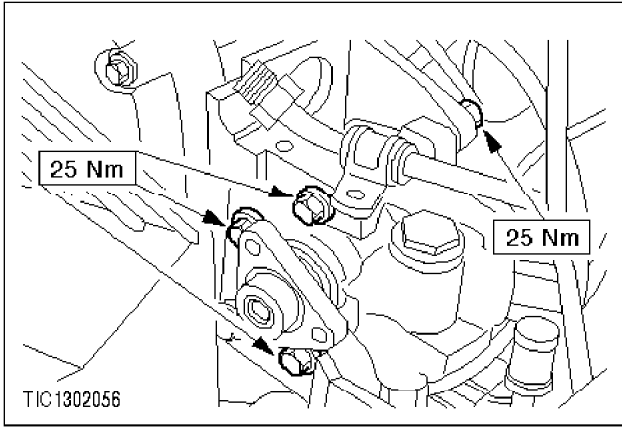
- 7. Remove the high-pressure pipe.



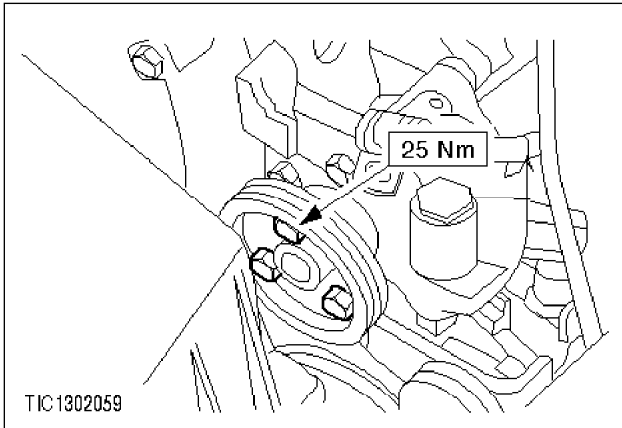
Install

- 8. Renew the union O-ring.
- 9. Refit the components in reverse order.

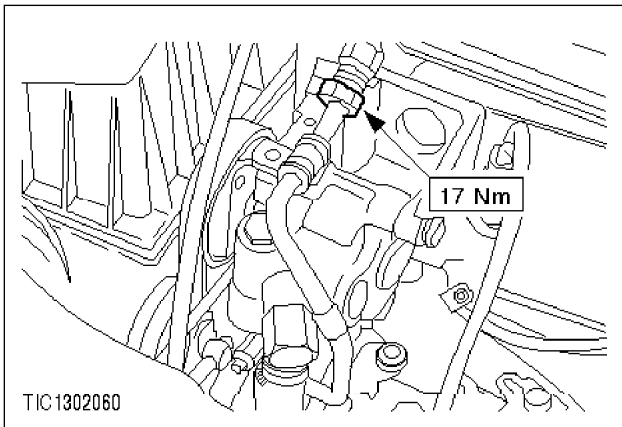




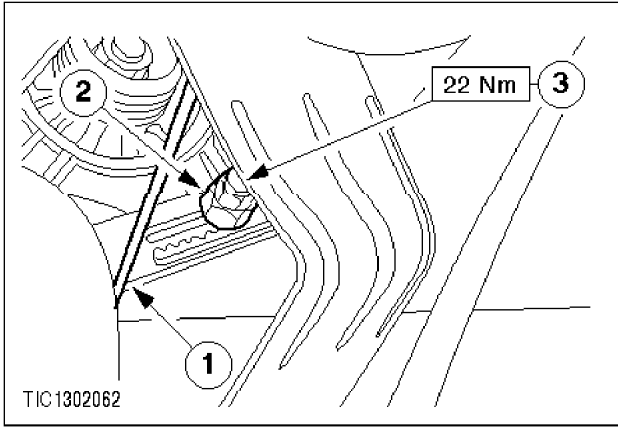
⌚



⌚

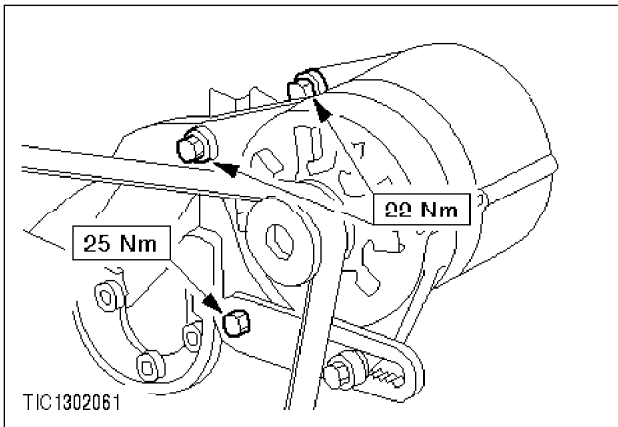


⌚



Drive Belt - Power Steering Pump - Install (13 424 0)

- 10 Tension the drive belt.
 - 1 Locate the drive belt.
 - 2 Rotate the adjusting nut clockwise until an adjusting nut pinion tooth locates in the center groove of the clamp plate rack.
 - 3 Tighten the clamp plate bolt.



- 11 Secure the alternator.
- 12 Bleed the power steering system (refer to [Operation Number 13 4'5 1](#))