

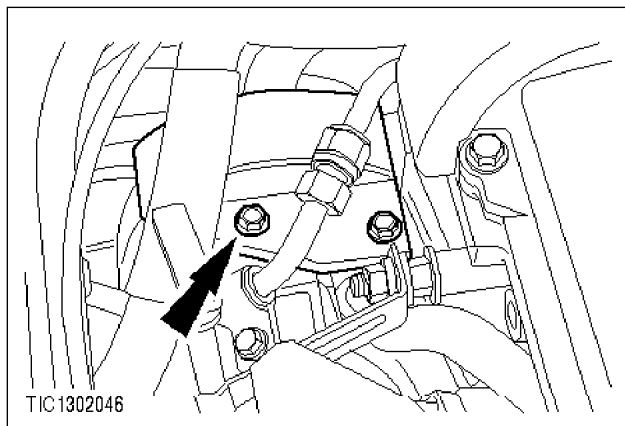
## Pump Assembly - Power Steering - Remove And Install (Zetec) (13 434 0)

### Special Tools



13015

13-015 Expander, Teflon seal

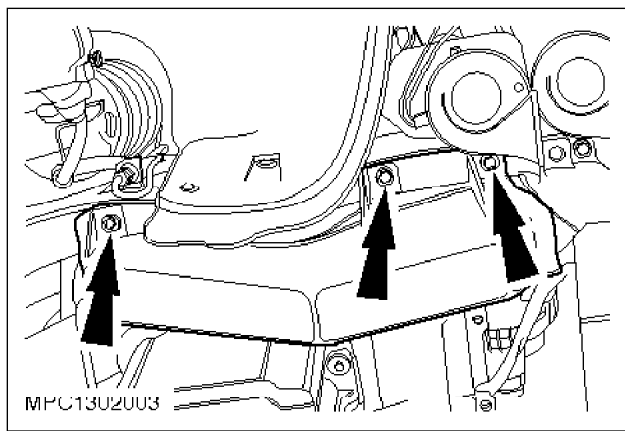


### Remove

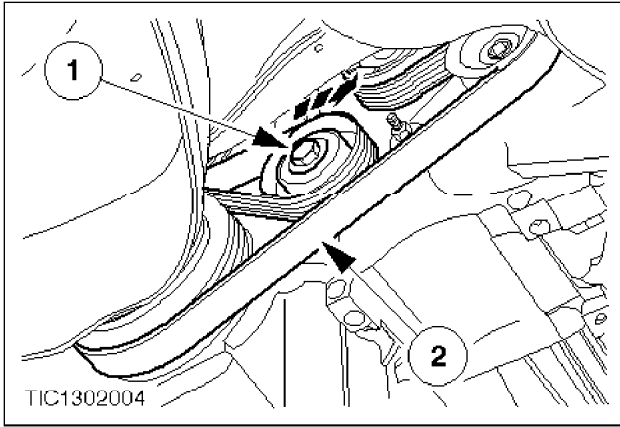


**CAUTION:**  
Disconnect the battery negative lead.

1. Remove the upper belt guard (two bolts).
2. Raise the vehicle.

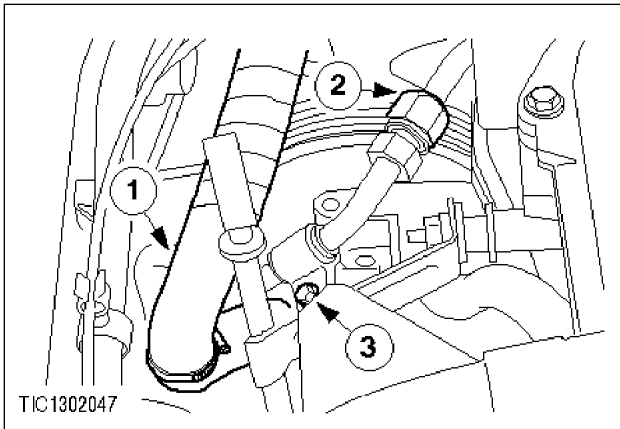


3. Remove the lower belt guard (three bolts).

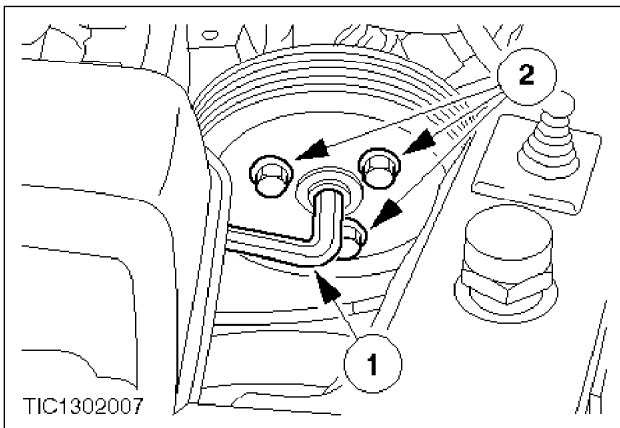


### Drive Belt - Power Steering Pump - Remove (13 424 0)

- 4. Remove the power steering pump drive belt.
  - 1 Rotate the belt tensioner in a clockwise direction.
  - 2 Remove the drive belt and release the belt tensioner.
- 5. Lower the vehicle.

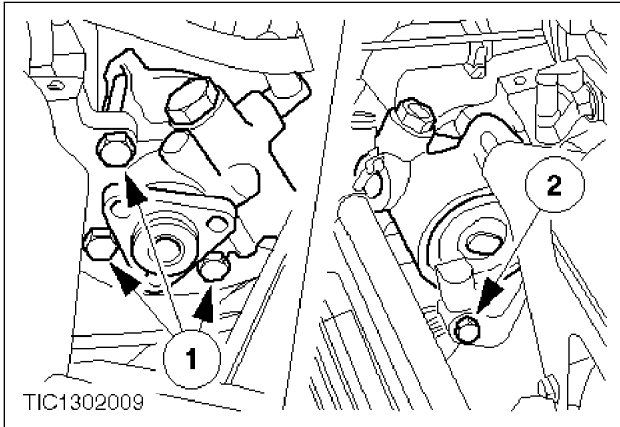


- 6. Disconnect the pipe and hose from the power steering pump.
  - 1 Disconnect the low-pressure hose.
  - Allow the fluid to drain into a suitable container.
  - 2 Disconnect the high-pressure pipe joint.
  - 3 Remove the high-pressure pipe clamp bolt.



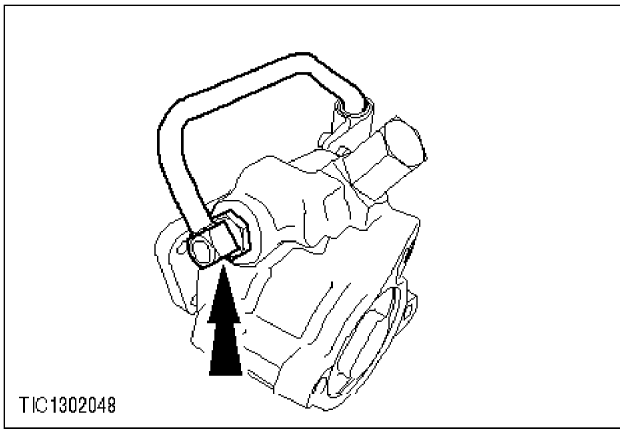
7. Remove the power steering pump pulley (three bolts).

- 1 Hold the centre of the pulley with an Allen key.
- 2 Remove the three pulley retaining bolts.

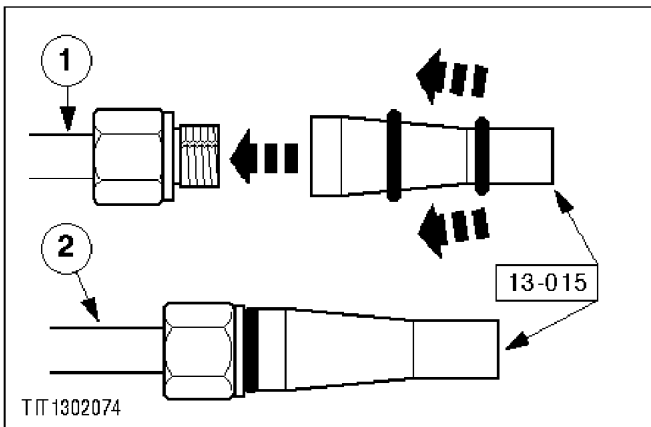


8. Remove the power steering pump.

- 1 Remove three retaining bolts from the front of the pump.
- 2 Remove one retaining bolt from the rear of the pump.



9. Remove the high-pressure pipe.

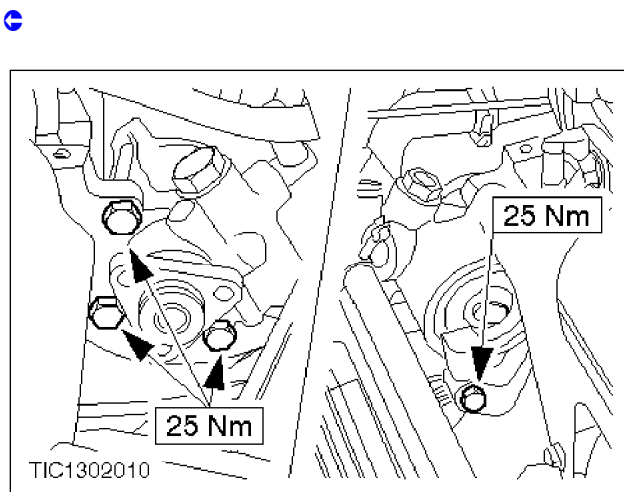
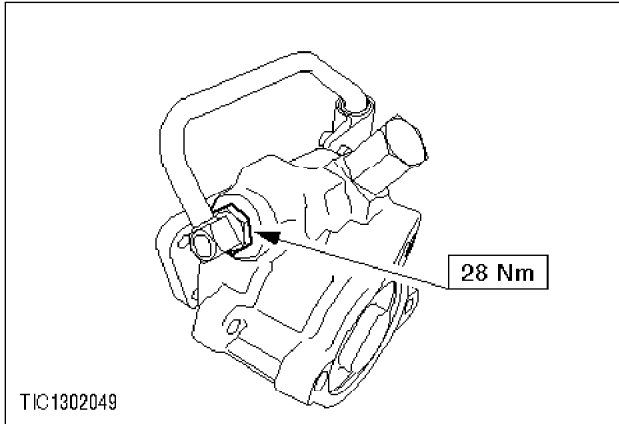


## Install

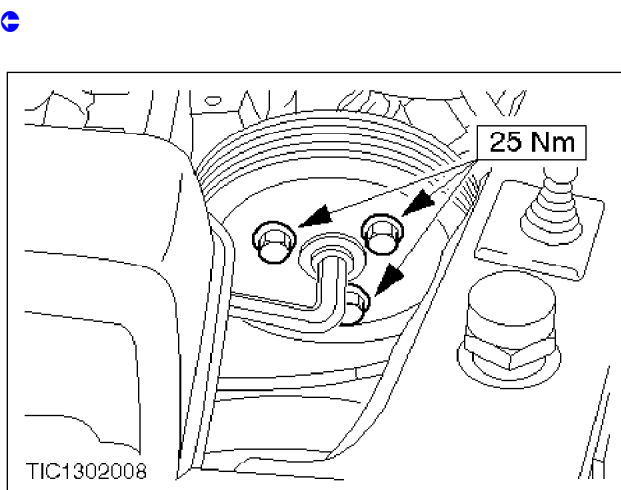
Note:

If the power steering pump is being renewed the unions that are supplied fitted to the pump should be removed and discarded.

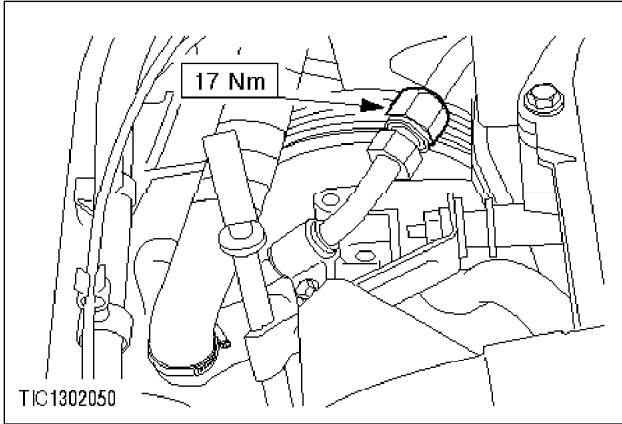
- 10. Renew the union sealing ring.
  - 1 Push the sealing ring onto the tool.
  - 2 Locate the tool on the union and push on the sealing ring.
- 11. Refit the components in reverse order.



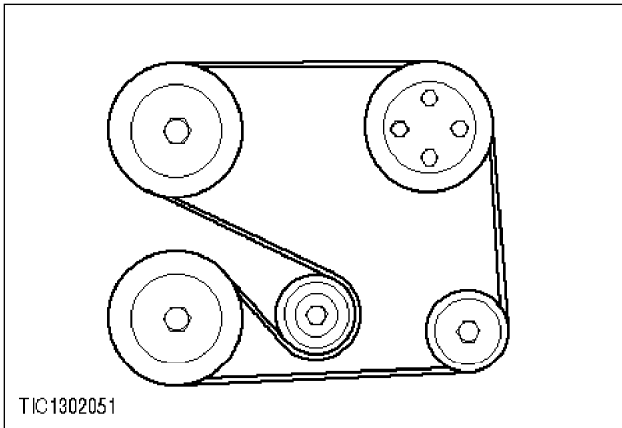
Note:  
Refit the front three bolts first.



⌚



⌚



### Drive Belt - Power Steering Pump - Install (13 424 0)

⌚

- 12 Bleed the power steering system (r«[Operation Number 13 4'5 1](#)»)