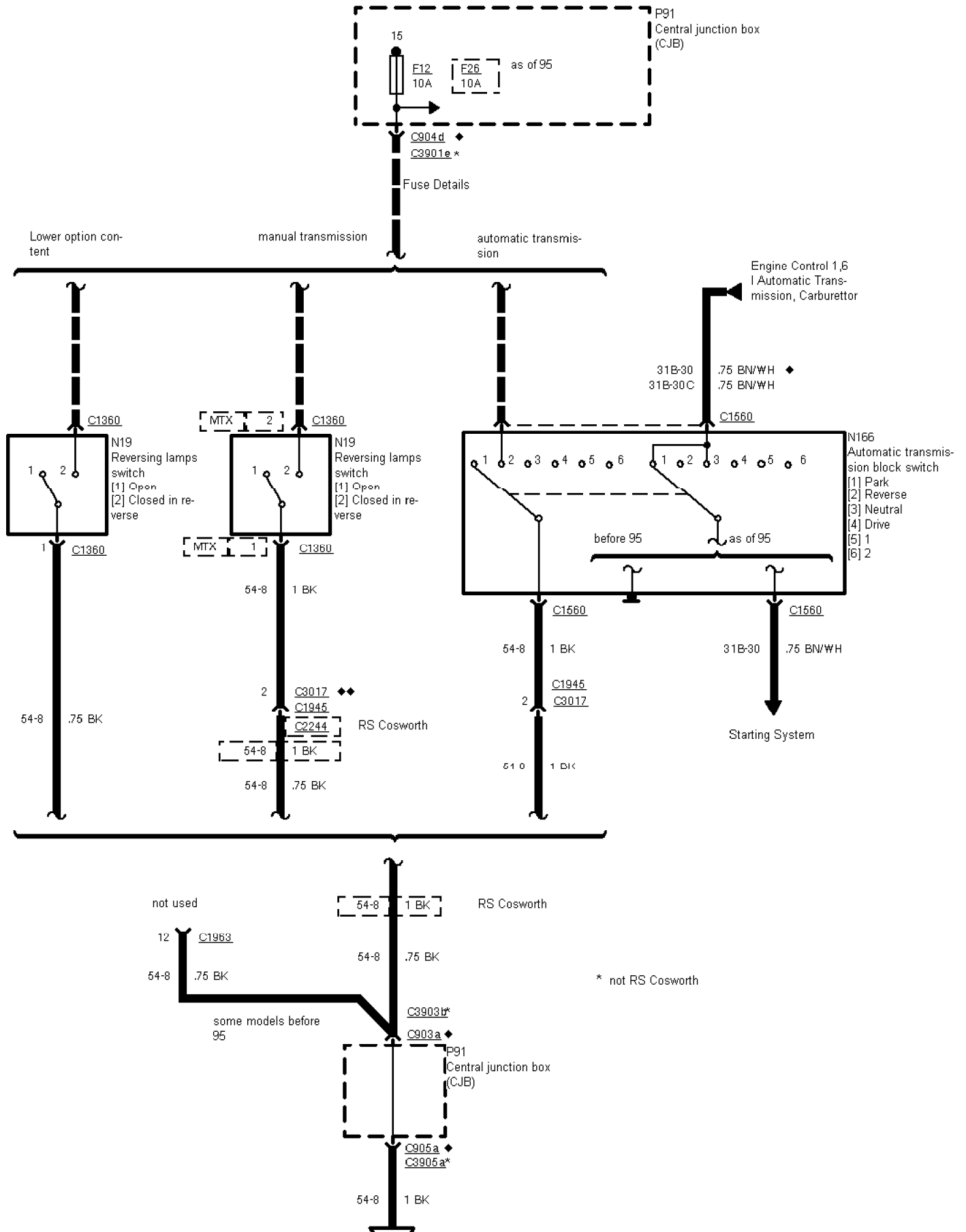




- ◆ → 95
- ◆◆ 95 → 95 1/2
- ◆◆◆ 95 1/2 →



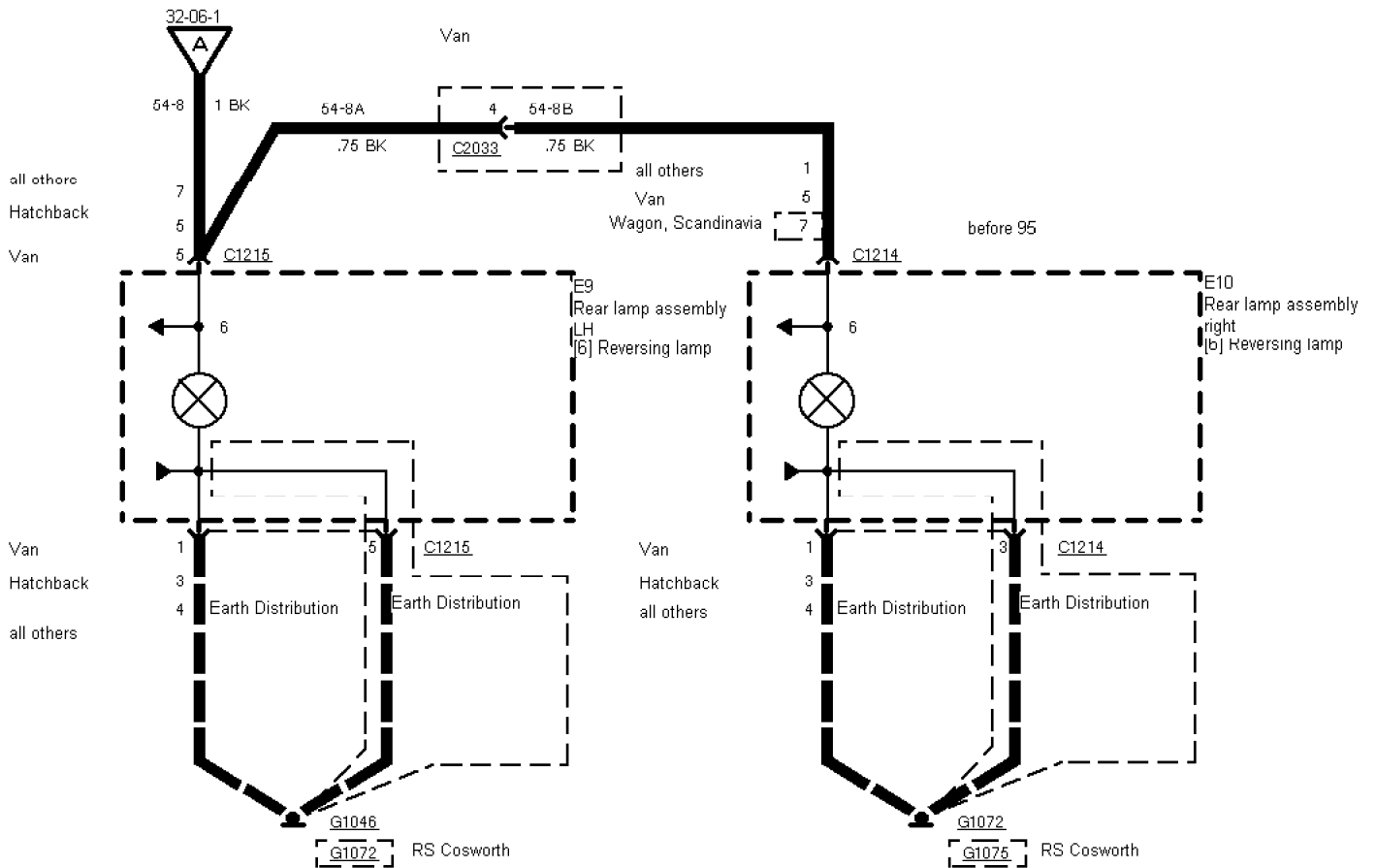


32-06-2

---

32-06-002 , Reversing Lamps , Left-hand-drive vehicles

---



Right-hand-drive vehicles

