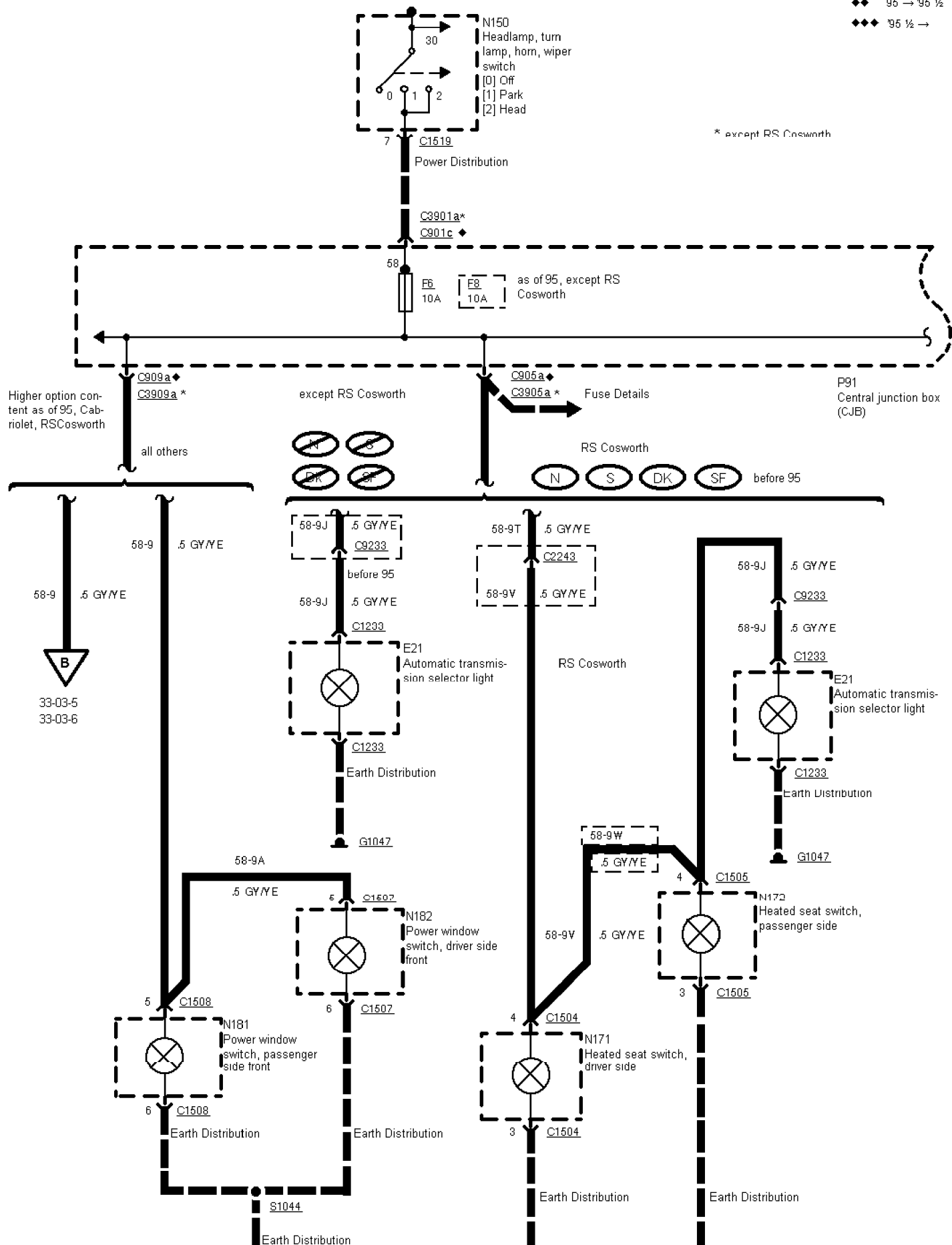
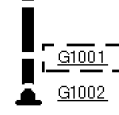
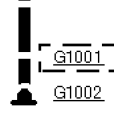
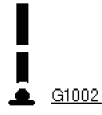


- ◆ → 95
- ◆◆ 95 → 95 ½
- ◆◆◆ 95 ½ →

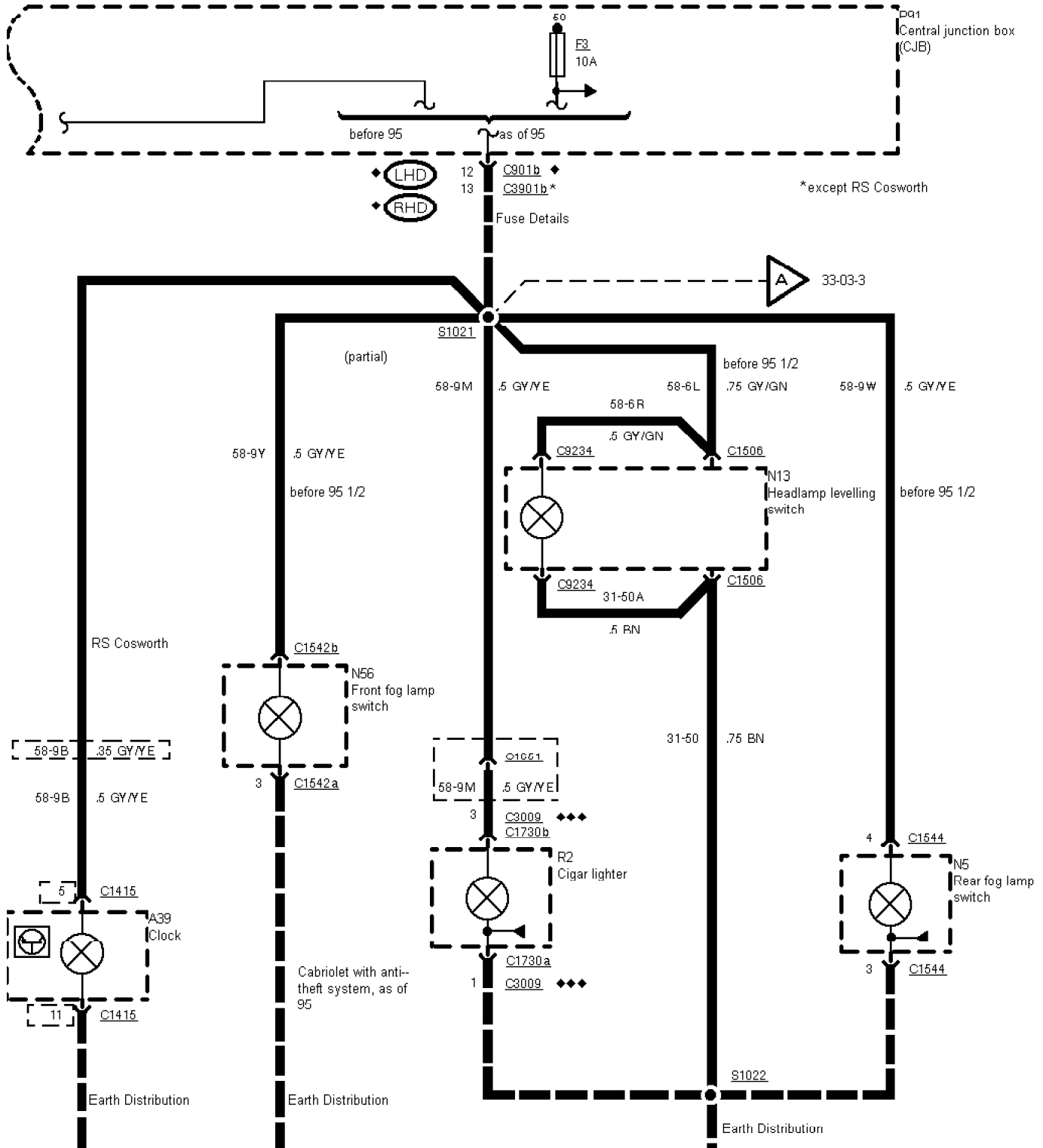




RS Cosworth

33-03-002 , Instrument Illumination

- ◆ → 90
- ◆◆ → 95
- ◆◆◆ → 95 1/2





G1001



G1001

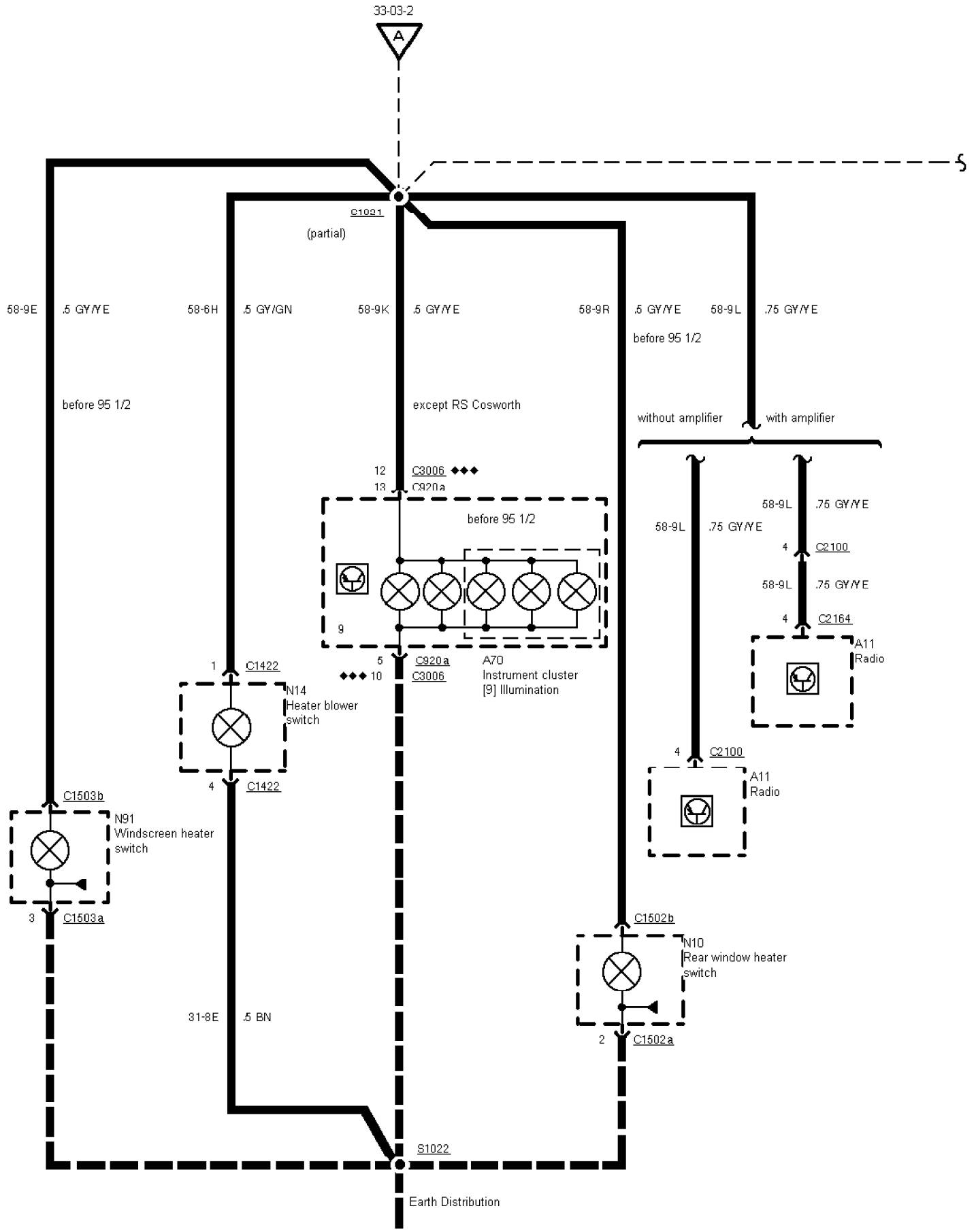


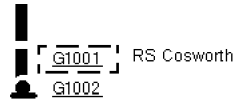
G1001
G1002

RS Cosworth

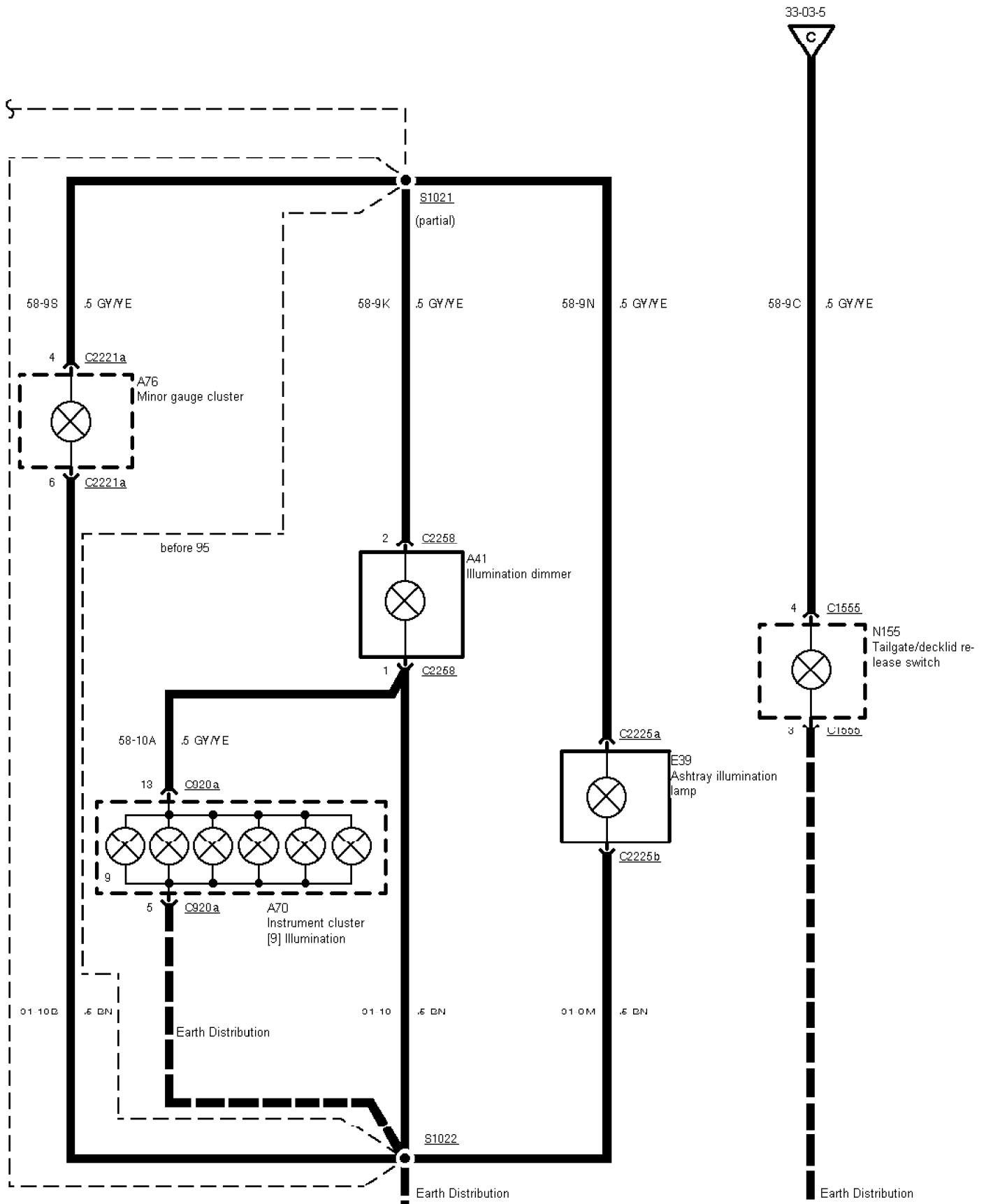
33-03-003 , Instrument Illumination

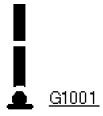
- ◆ → '95
- ◆◆ 95 → '95 1/2
- ◆◆◆ '95 1/2 →



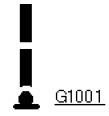


33-03-004 , Instrument Illumination , RS Cosworth



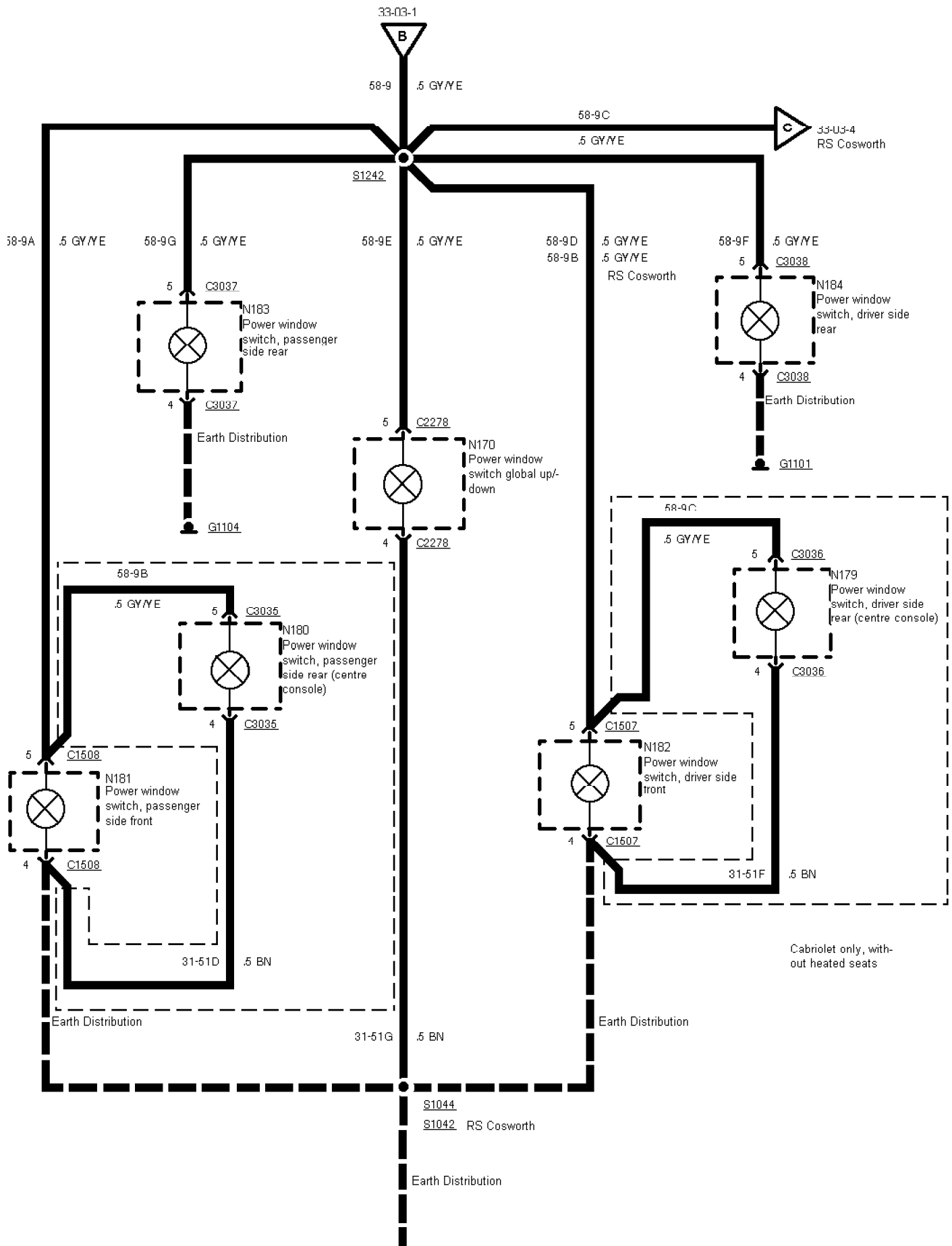


G1001

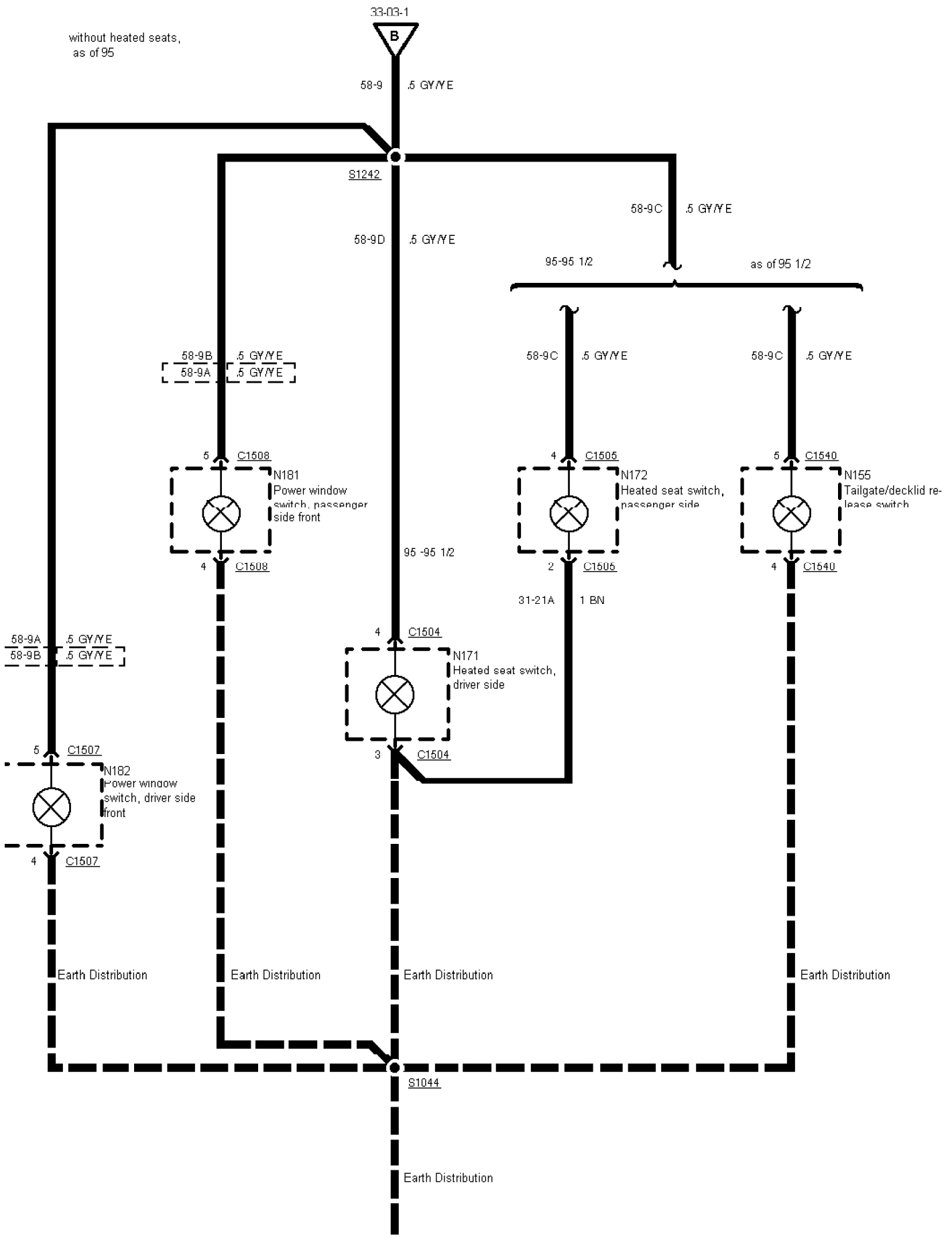


G1001

33-03-005 , Instrument Illumination , Cabriolet before 95, RS Cosworth



33-03-006 , Instrument Illumination , Higher option content as of 95



33-03-007 , Instrument Illumination , As of 95 1/2

