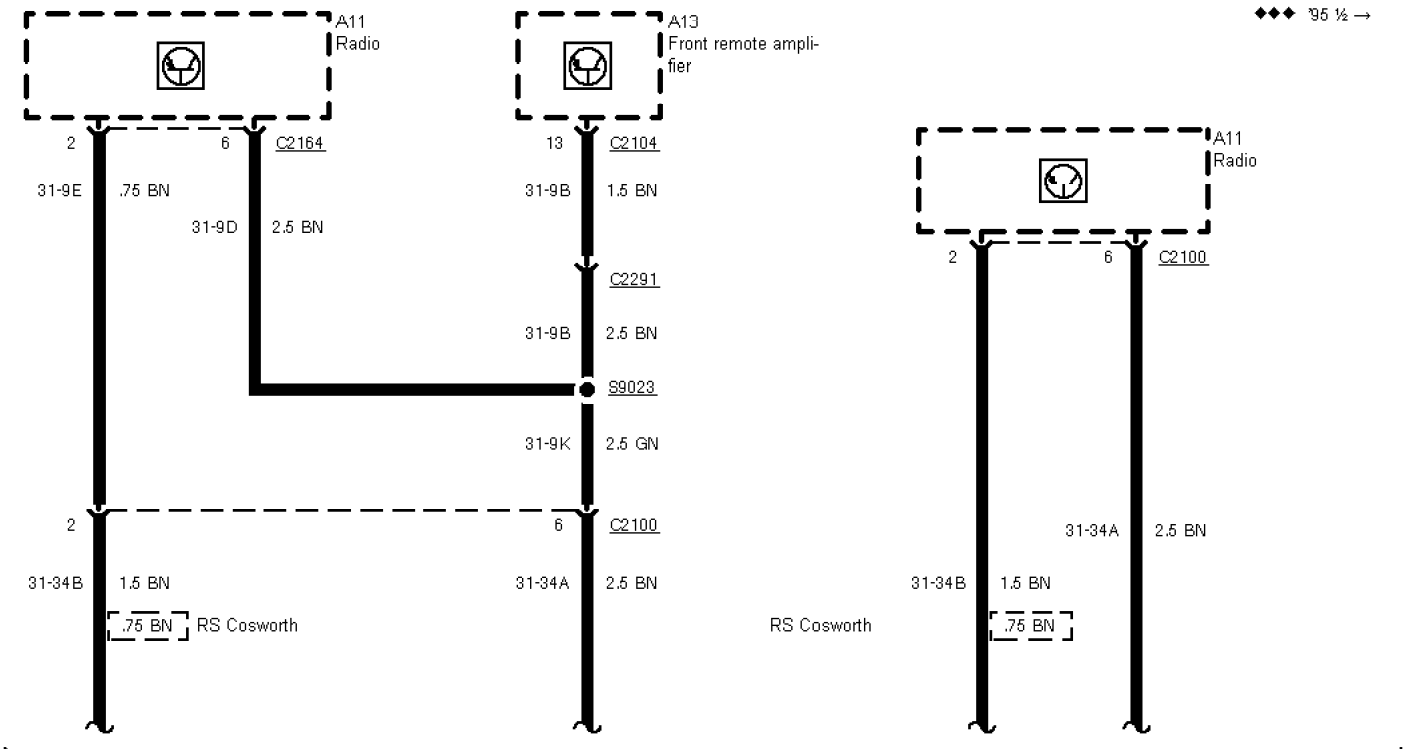
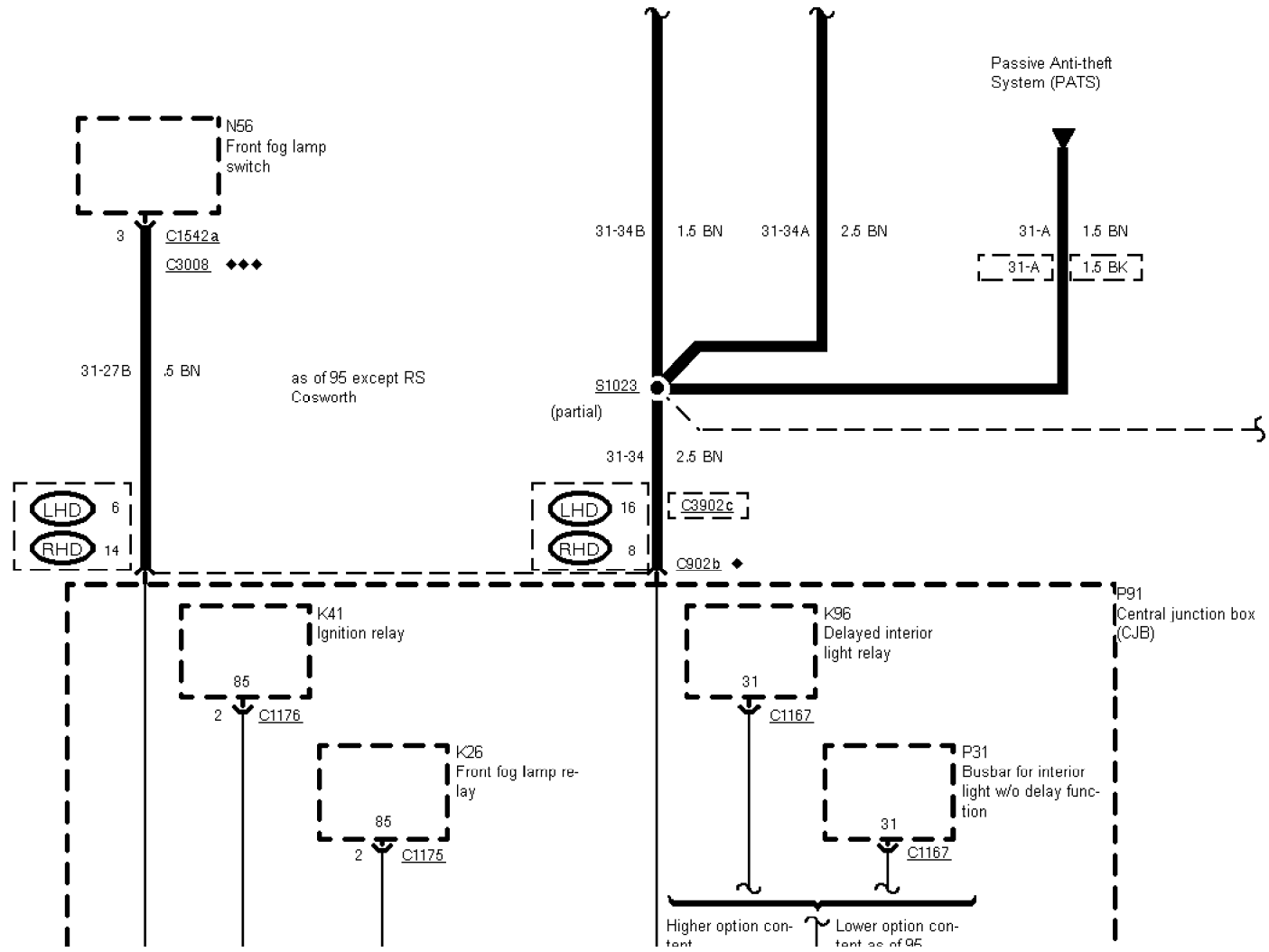


- ◆ → 95
- ◆◆ 95 → 95 ½
- ◆◆◆ 95 ½ →



with amplifier

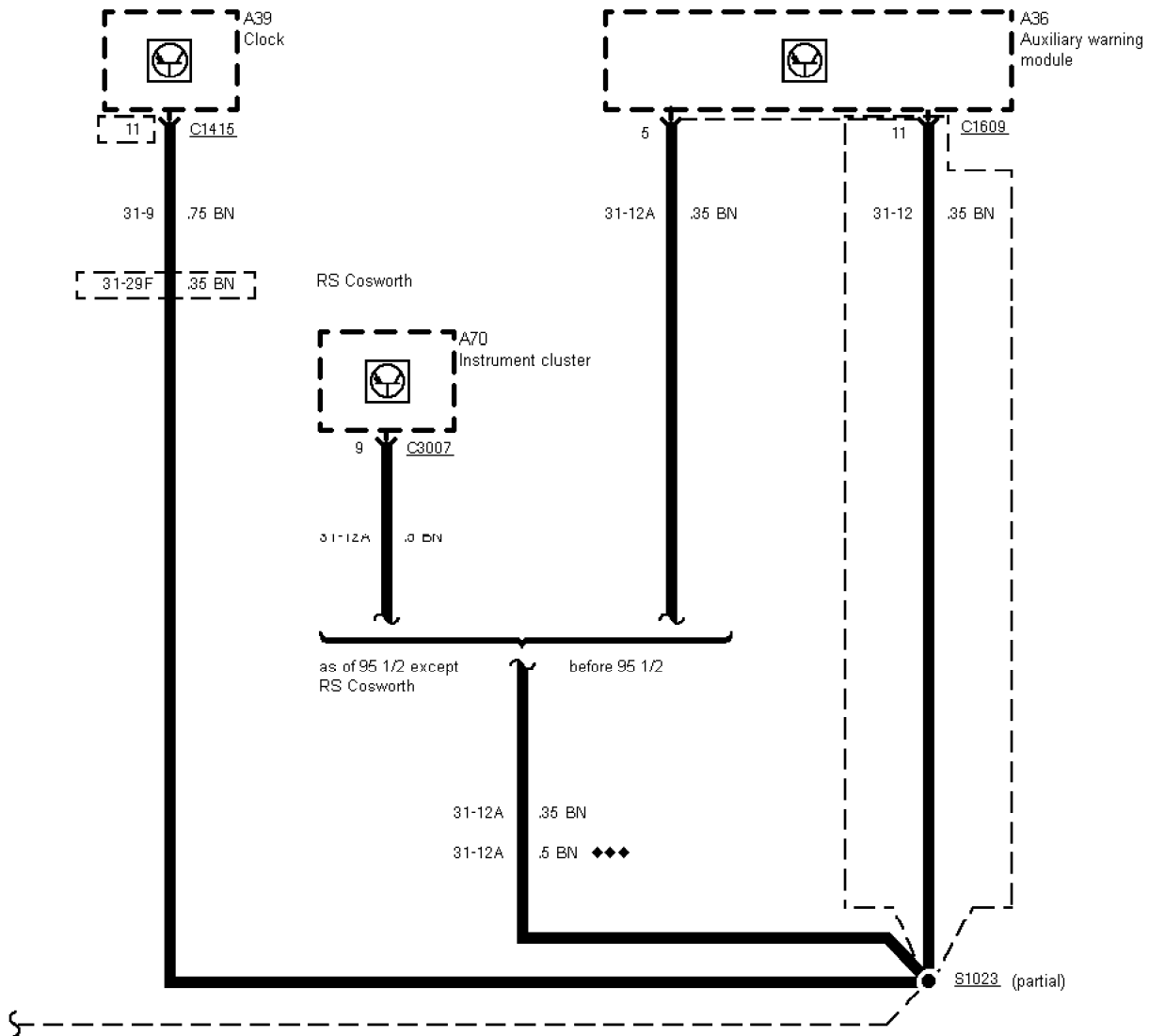
without amplifier





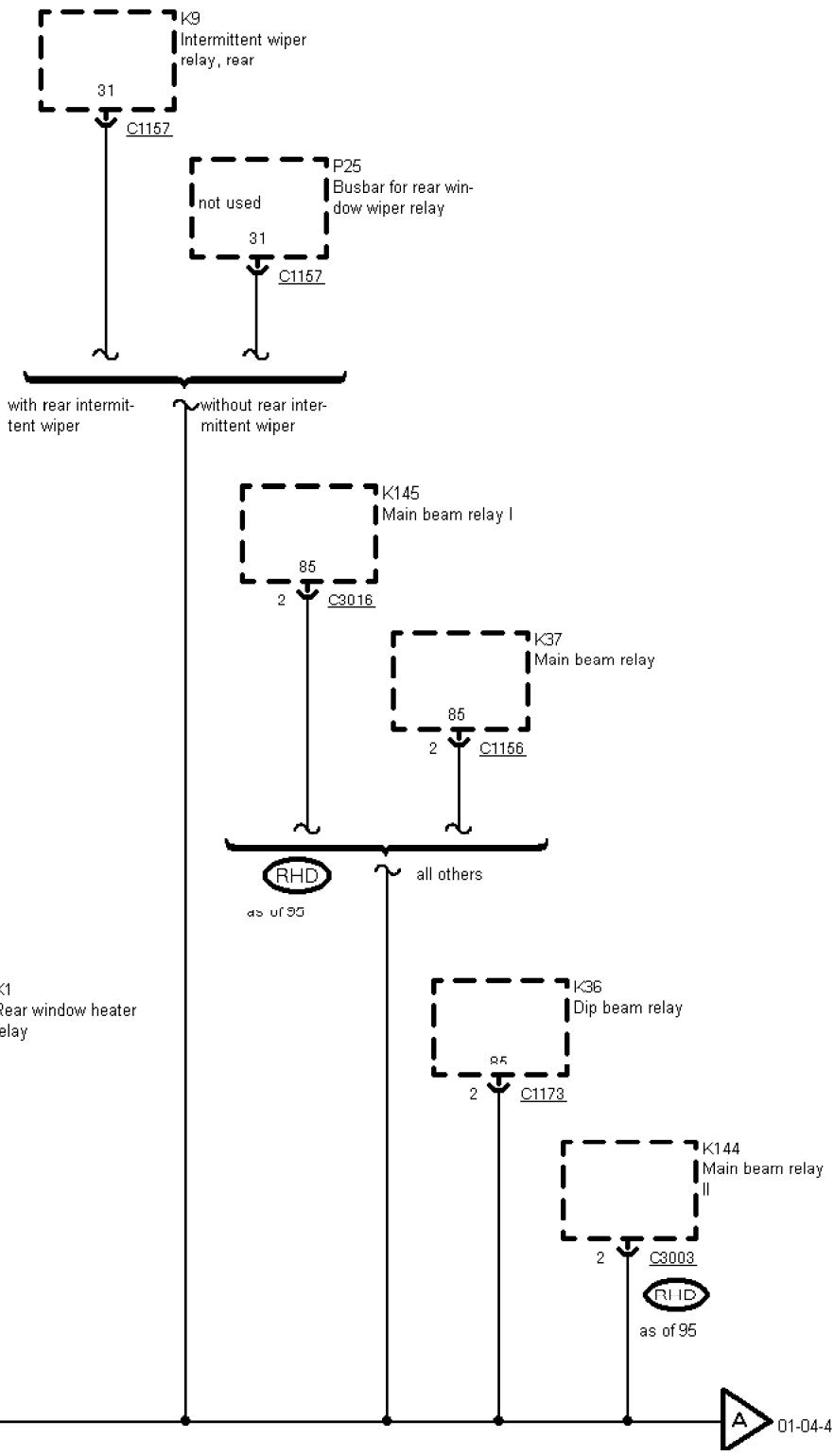
01-04-002 , Earth Distribution , Earth G1001

- ◆ → 95
- ◆◆ 95 → 95 1/2
- ◆◆◆ 95 1/2 →



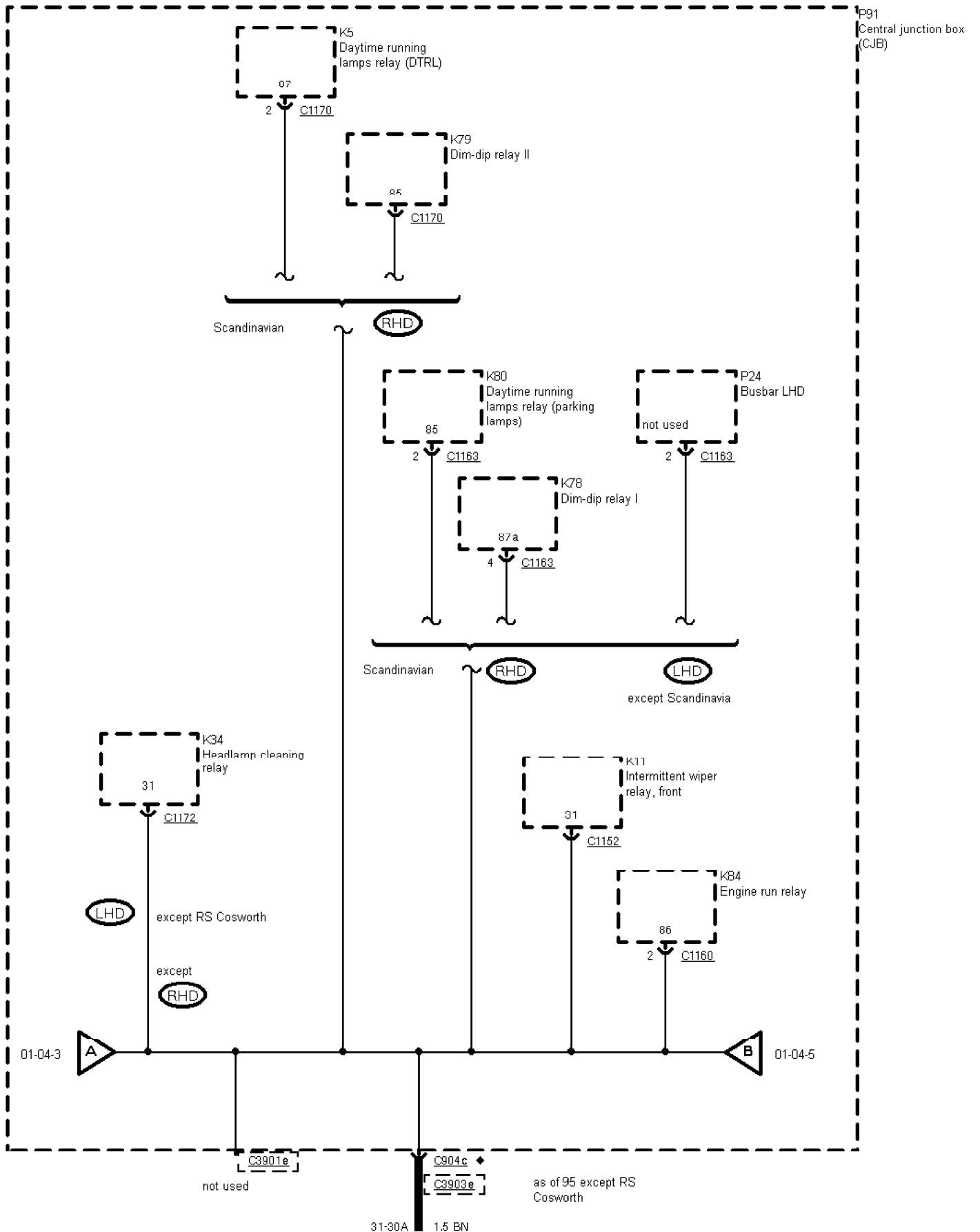
01-04-003 , Earth Distribution , Earth G1001

P91
Central junction box
(CJB)



01-04-004 , Earth Distribution , Earth G1001

- ◆ → 95
- ◆◆ 95 → 95 ½
- ◆◆◆ 95 ½ →

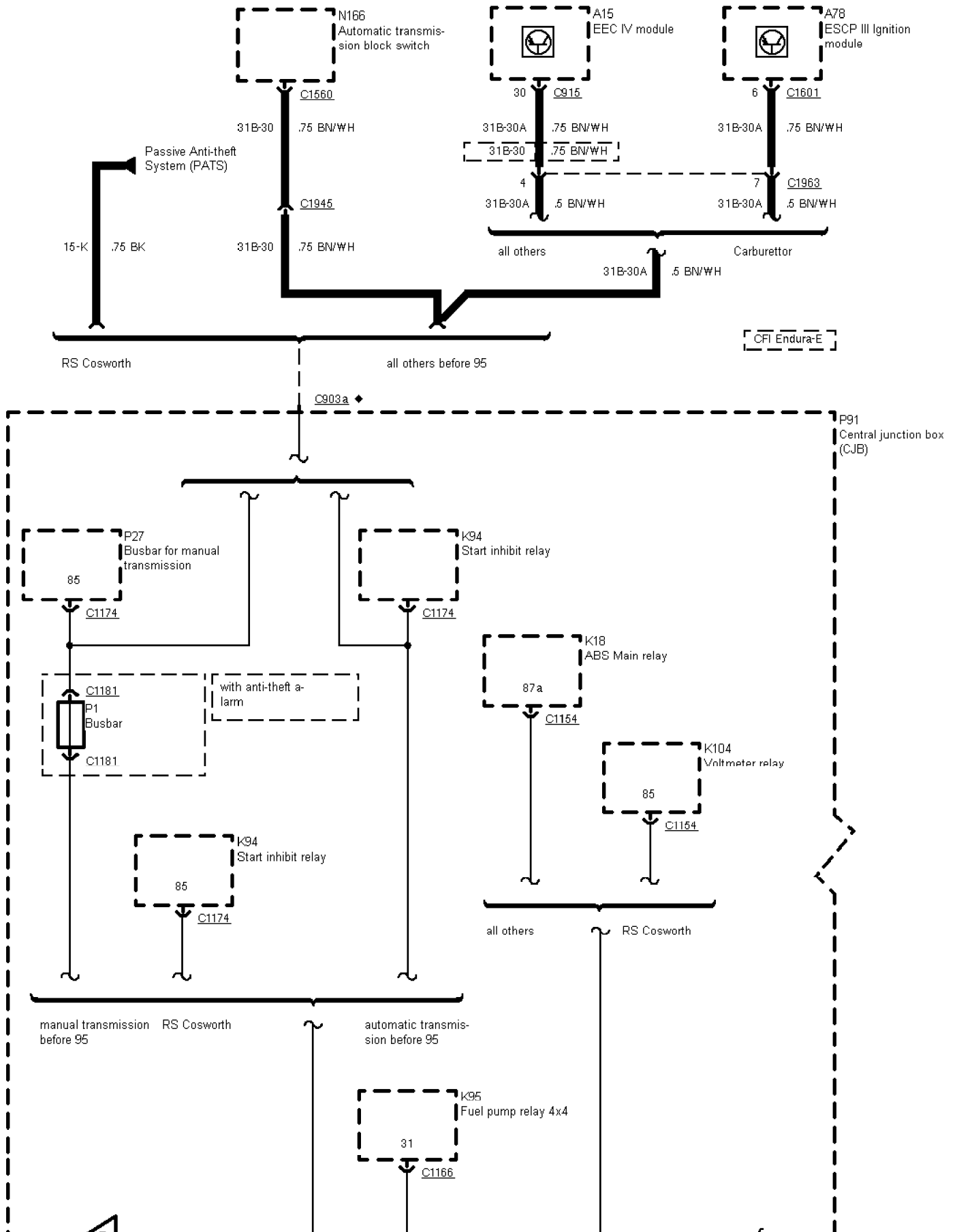




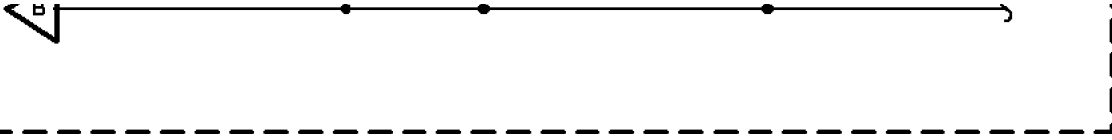
01-04-12

01-04-005 , Earth Distribution , Earth G1001

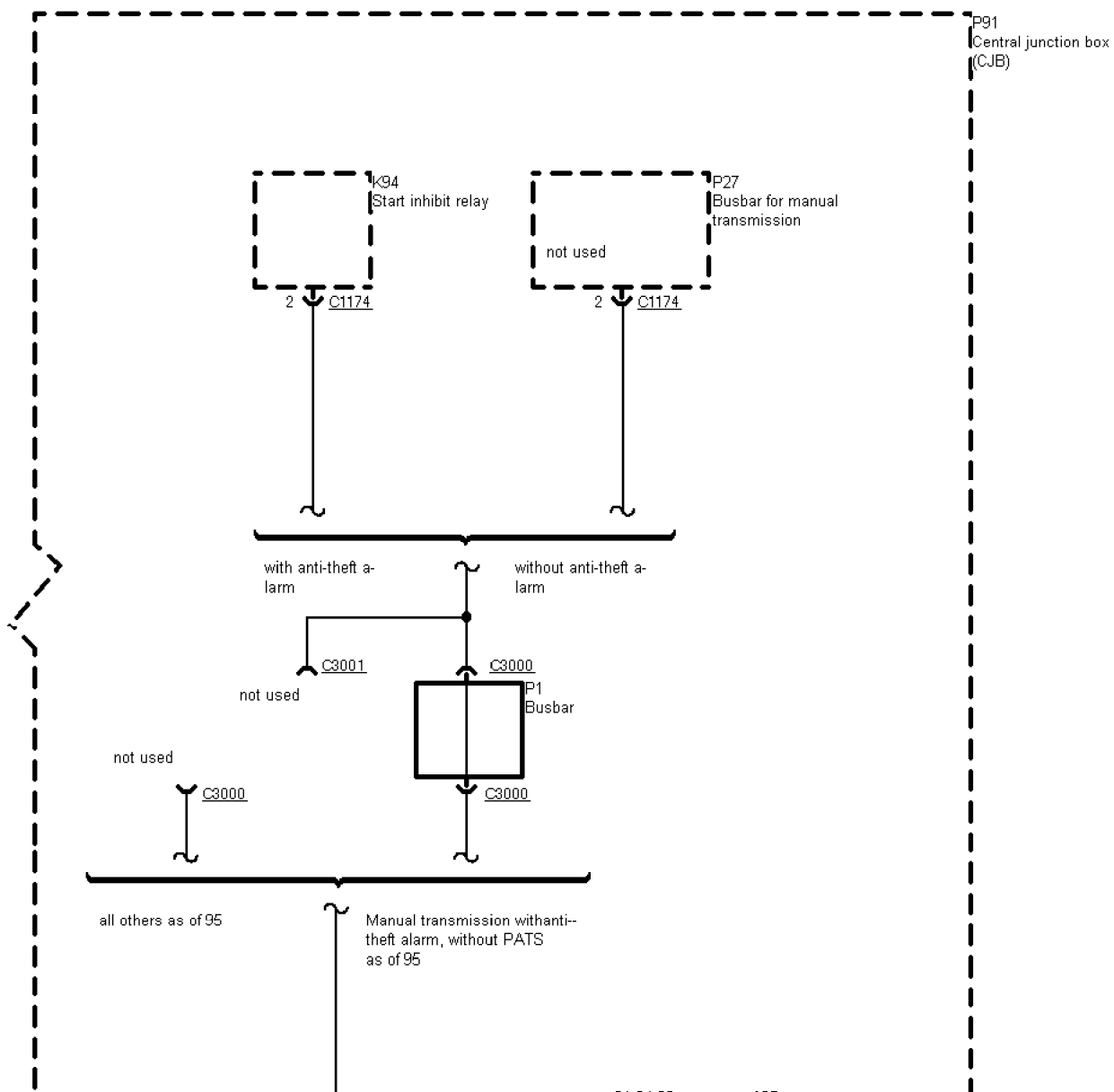
- ◆ → '95
- ◆◆ 95 → '95 ½
- ◆◆◆ '95 ½ →

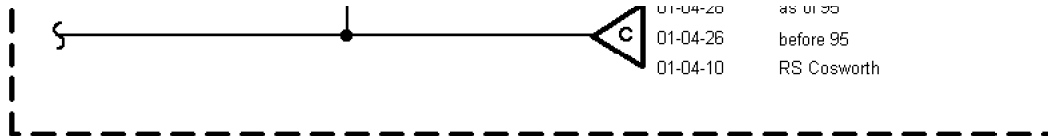


01-04-4

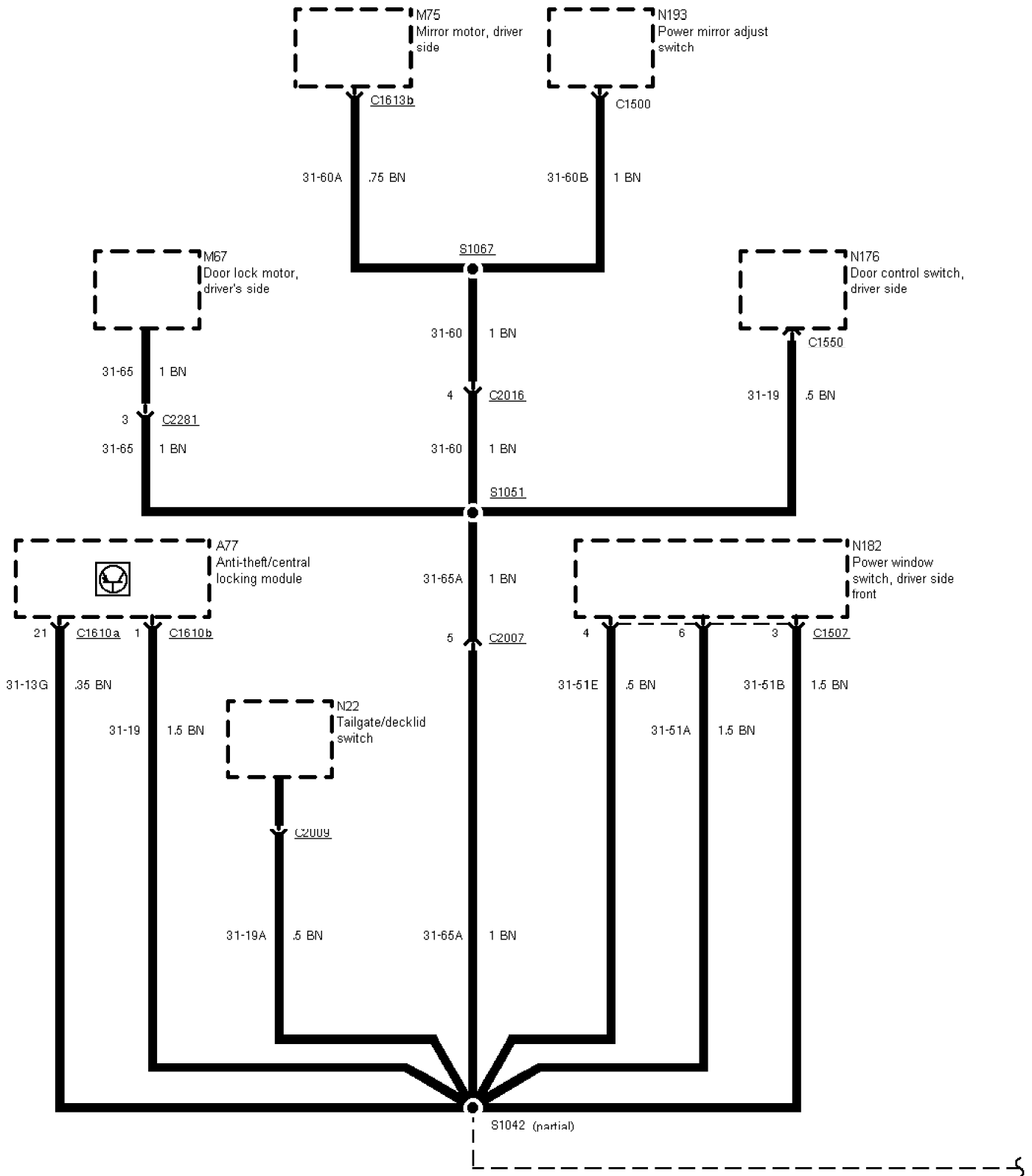


01-04-006 , Earth Distribution , Earth G1001

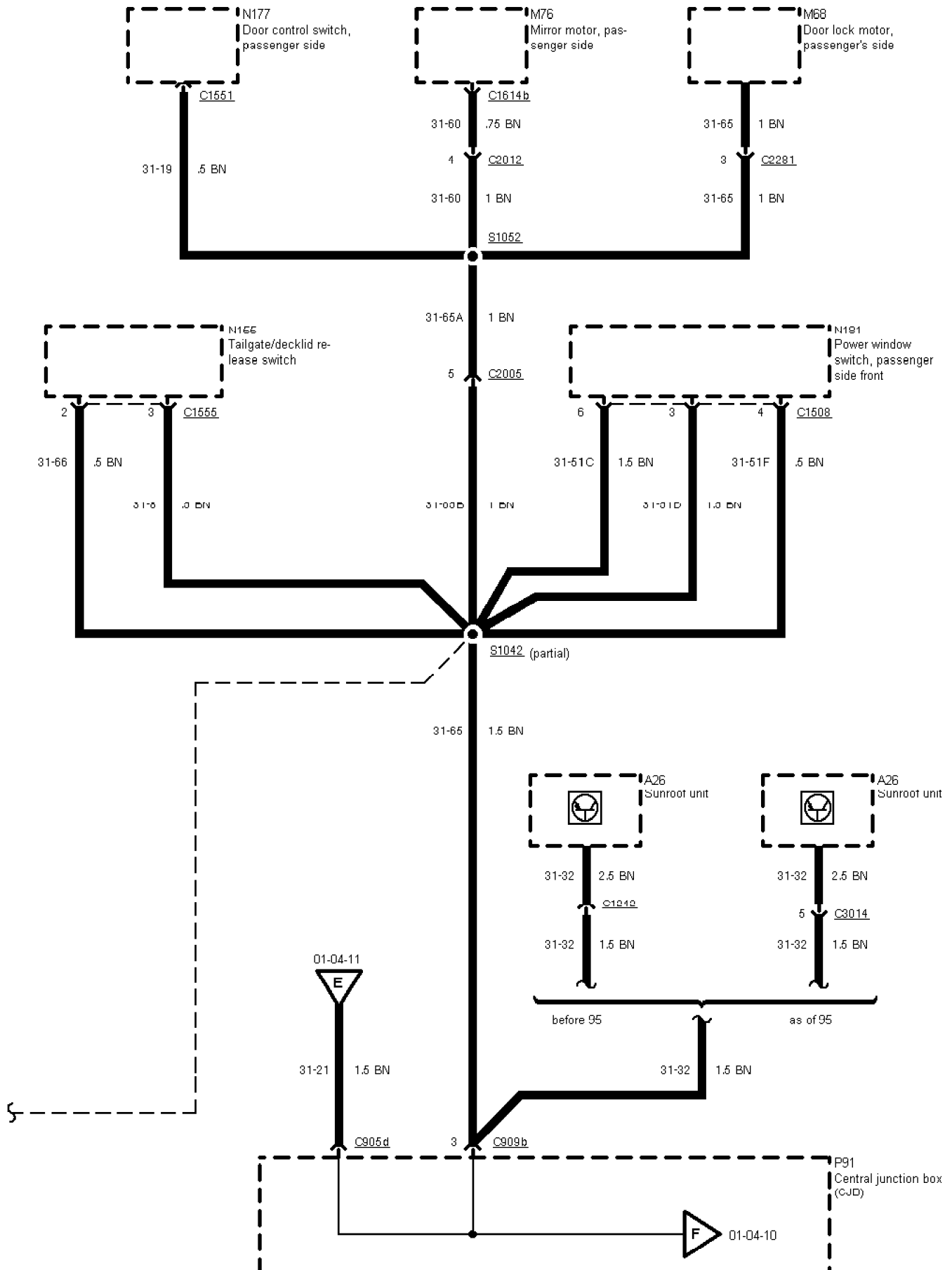




01-04-007 , Earth Distribution , Earth G1001 RS Cosworth

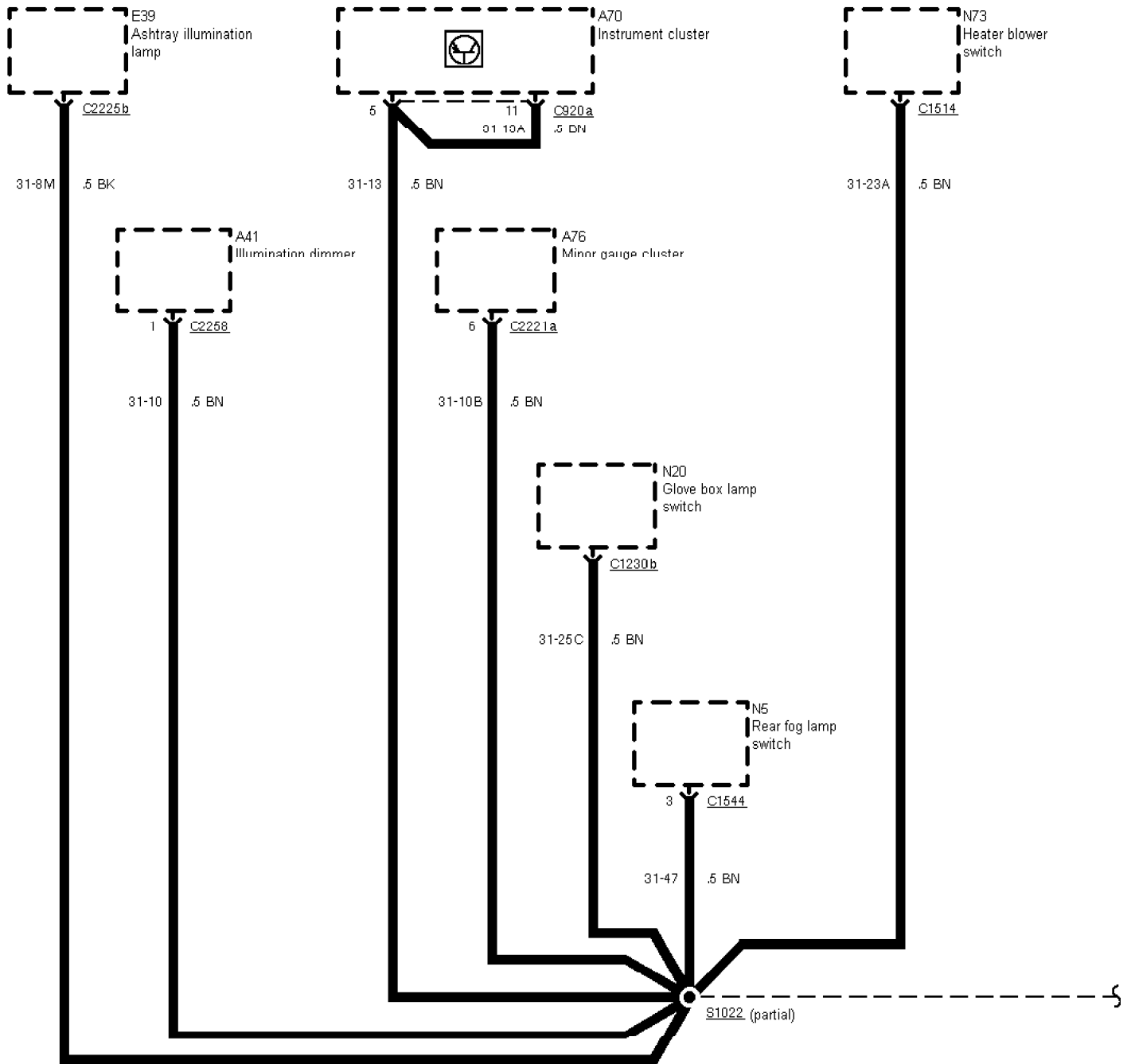


01-04-008 , Earth Distribution , Earth G1001 RS Cosworth

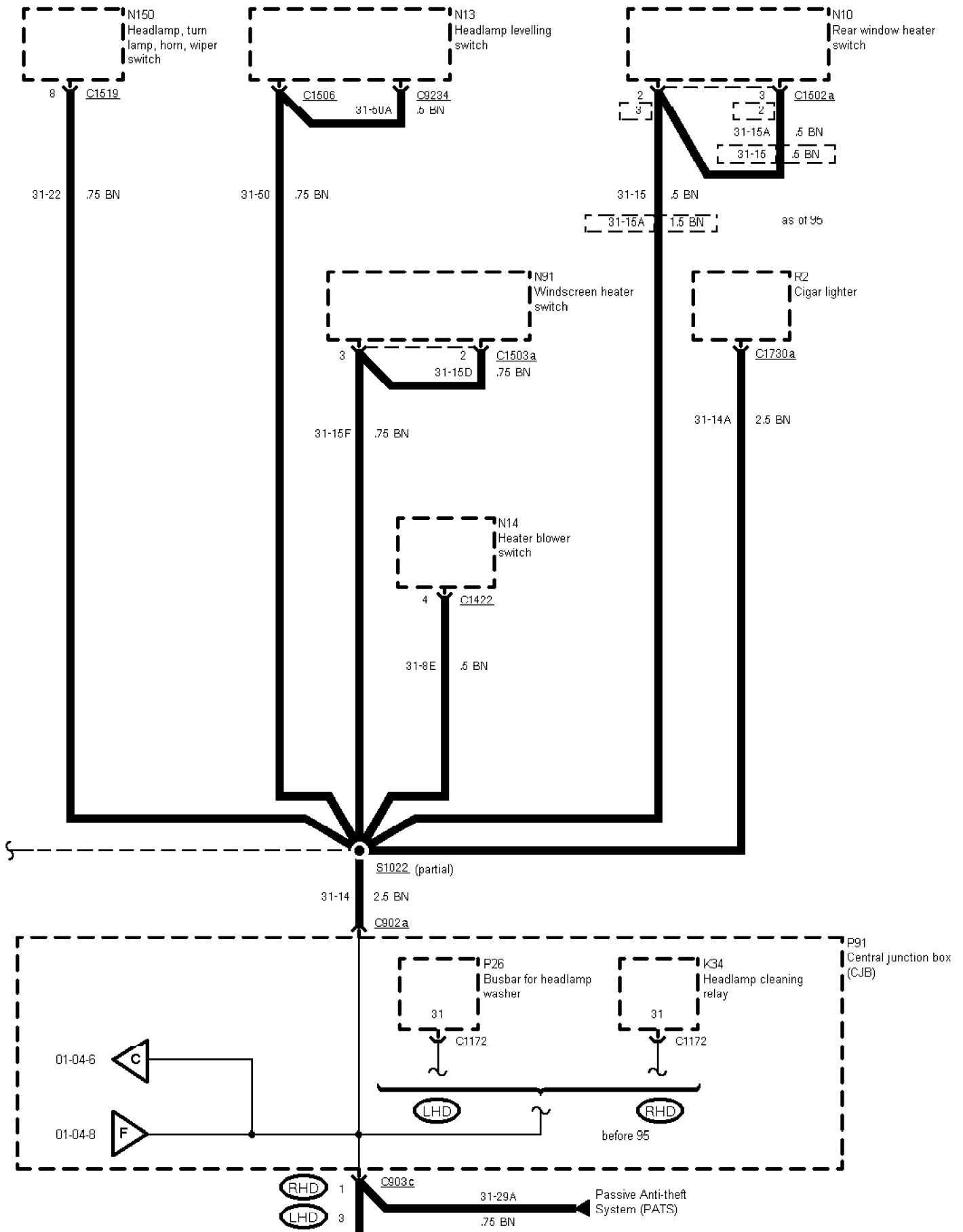




01-04-009 , Earth Distribution , Earth G1001 RS Cosworth



01-04-010 , Earth Distribution , Earth G1001 RS Cosworth

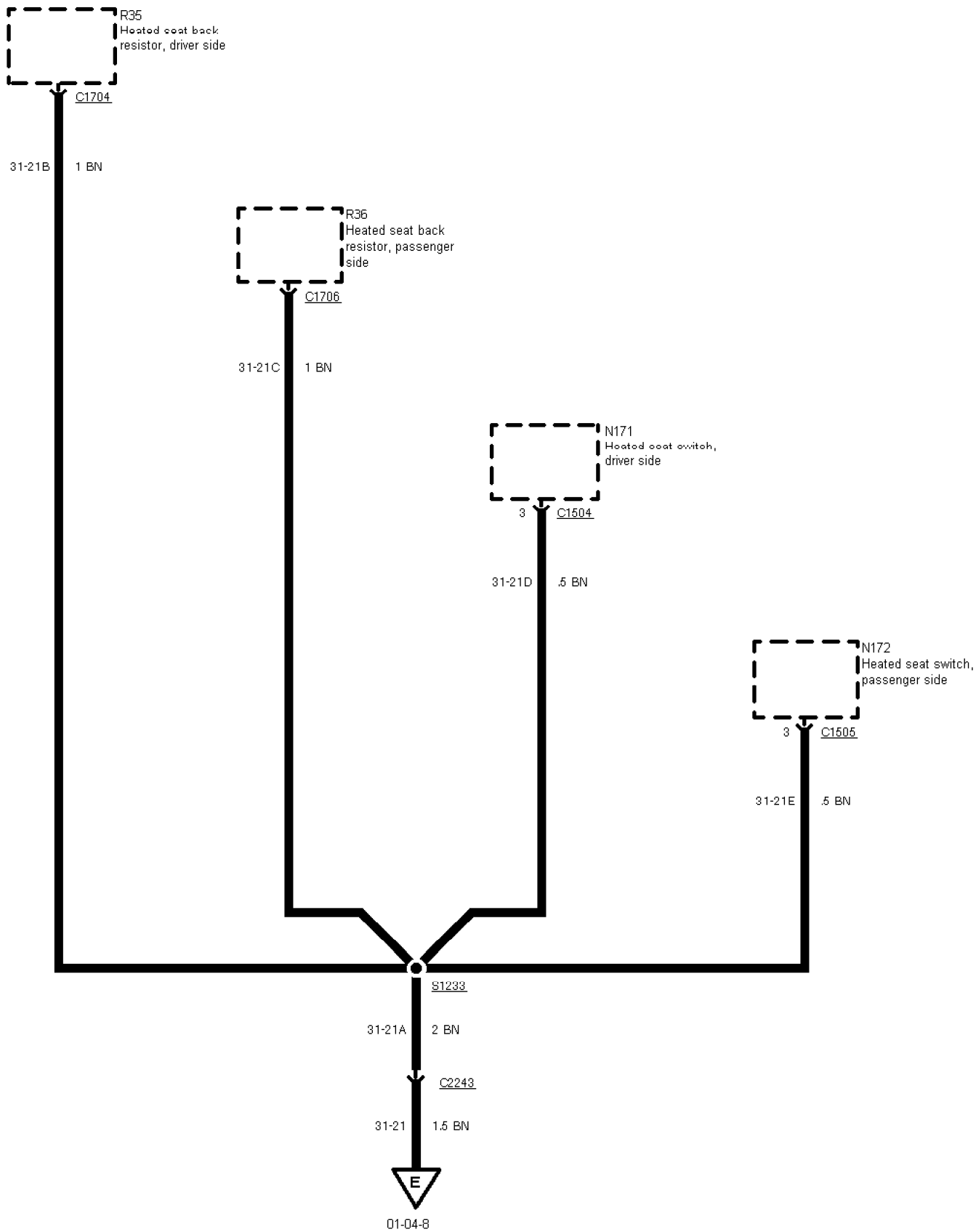


31-1 2.5 BN

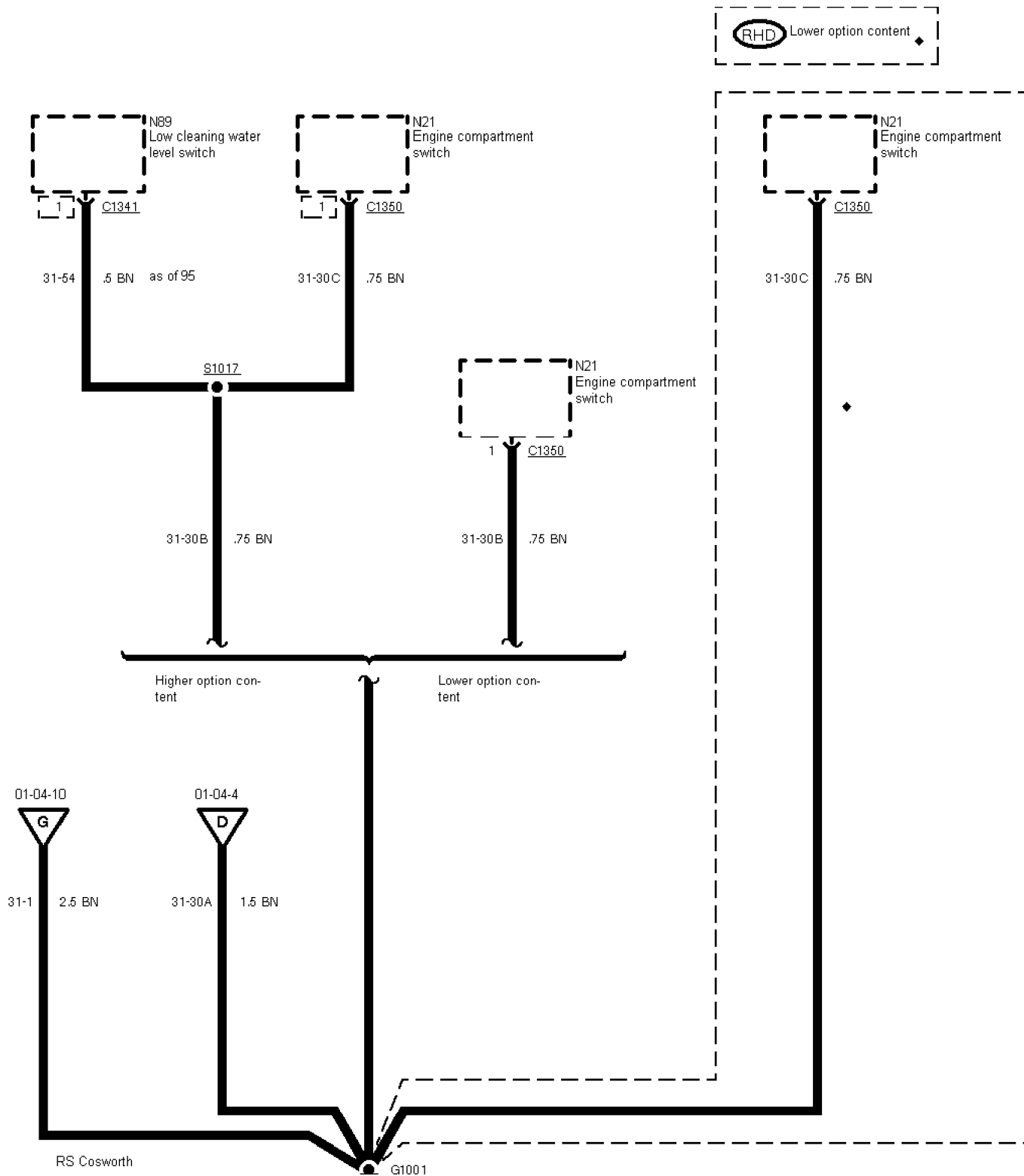


01-04-12

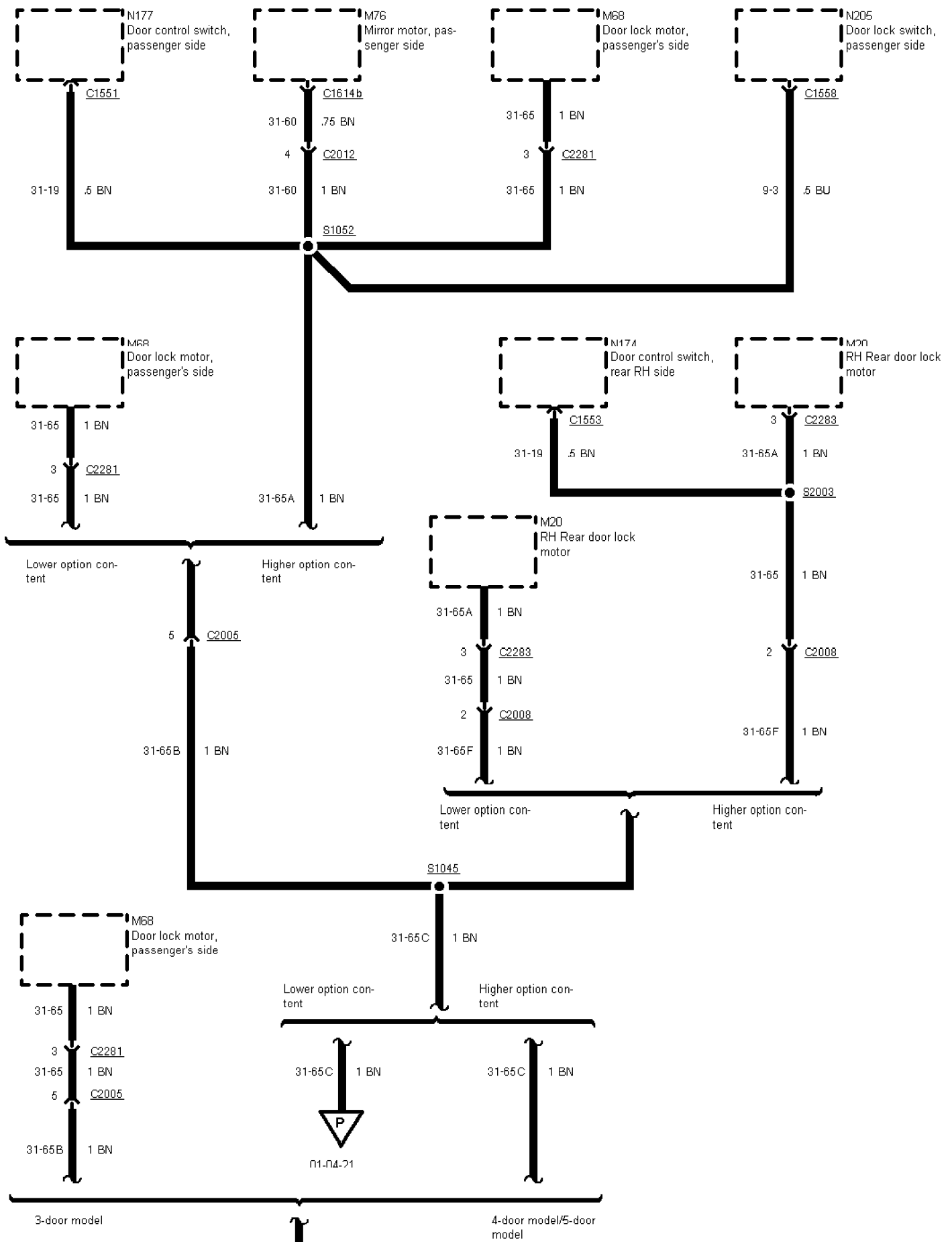
01-04-011 , Earth Distribution , Earth G1001 RS Cosworth



- ◆ → '95
- ◆◆ 95 → '95 ½
- ◆◆◆ '95 ½ →



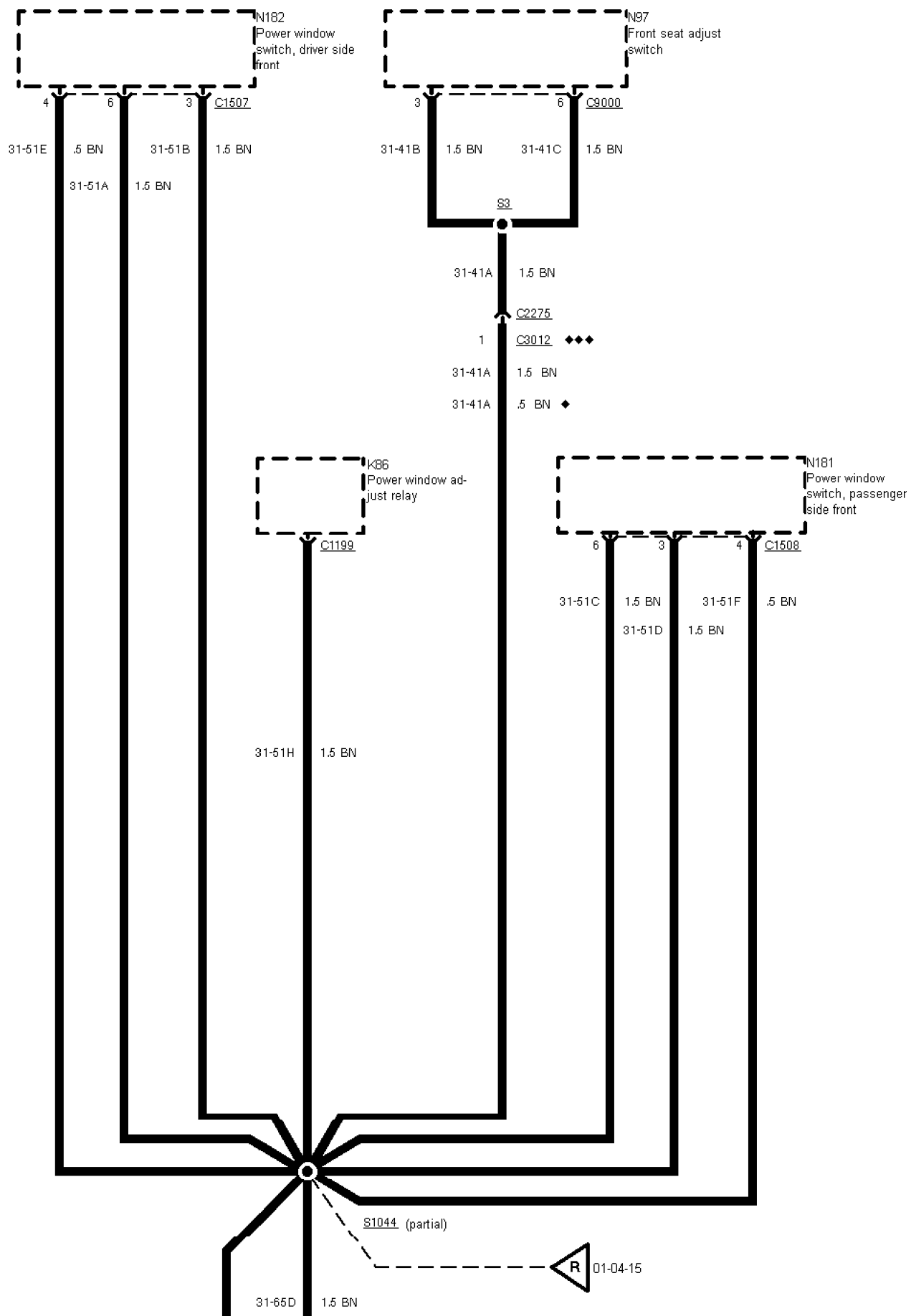
01-04-013 , Earth Distribution , Earth G1002, except RS Cosworth





01-04-014 , Earth Distribution , Earth G1002, except RS Cosworth

- ◆ → 95
- ◆◆ 95 → 95 ½
- ◆◆◆ 95 ½ →

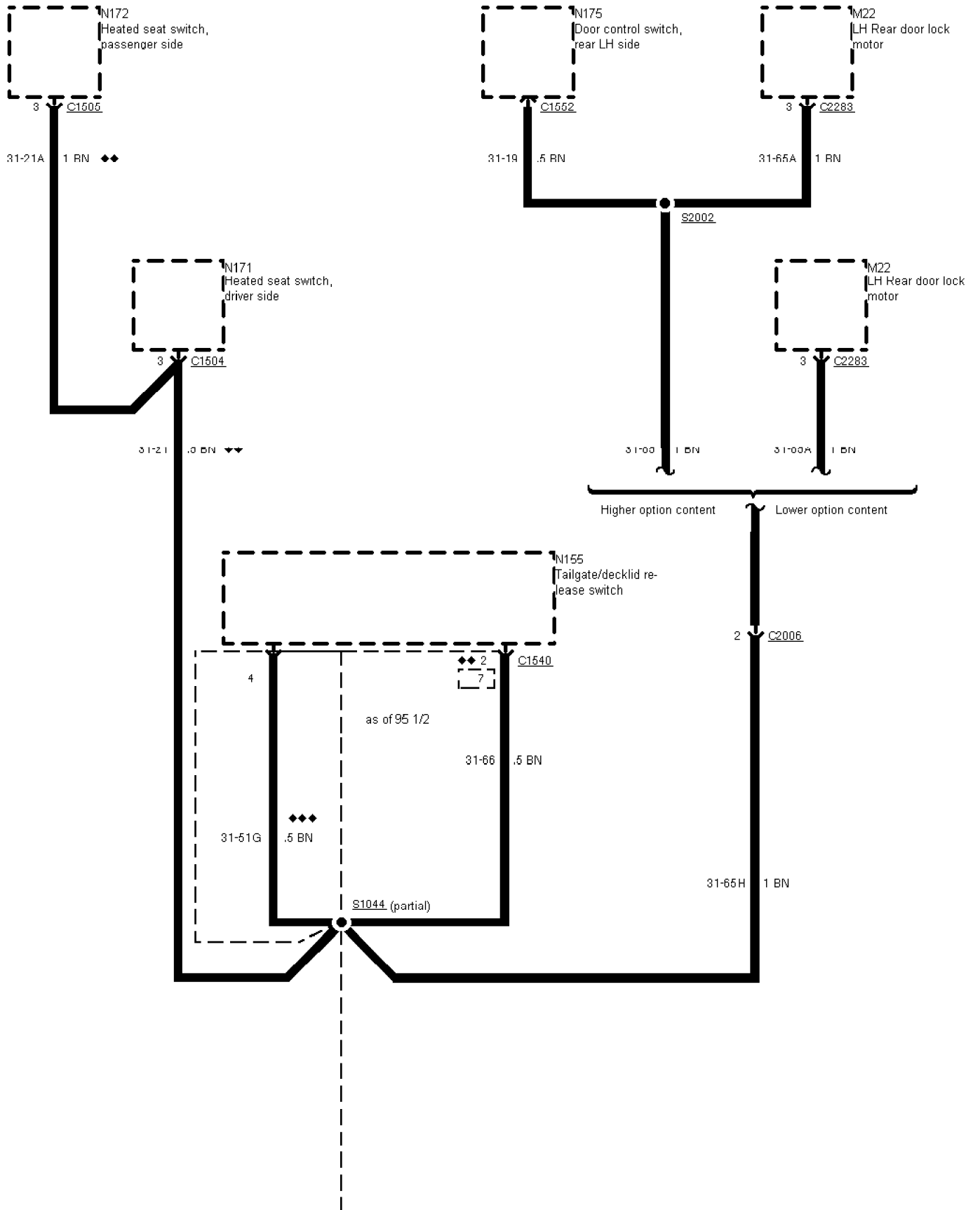




01-04-22

01-04-015 , Earth Distribution , Earth G1002, except RS Cosworth

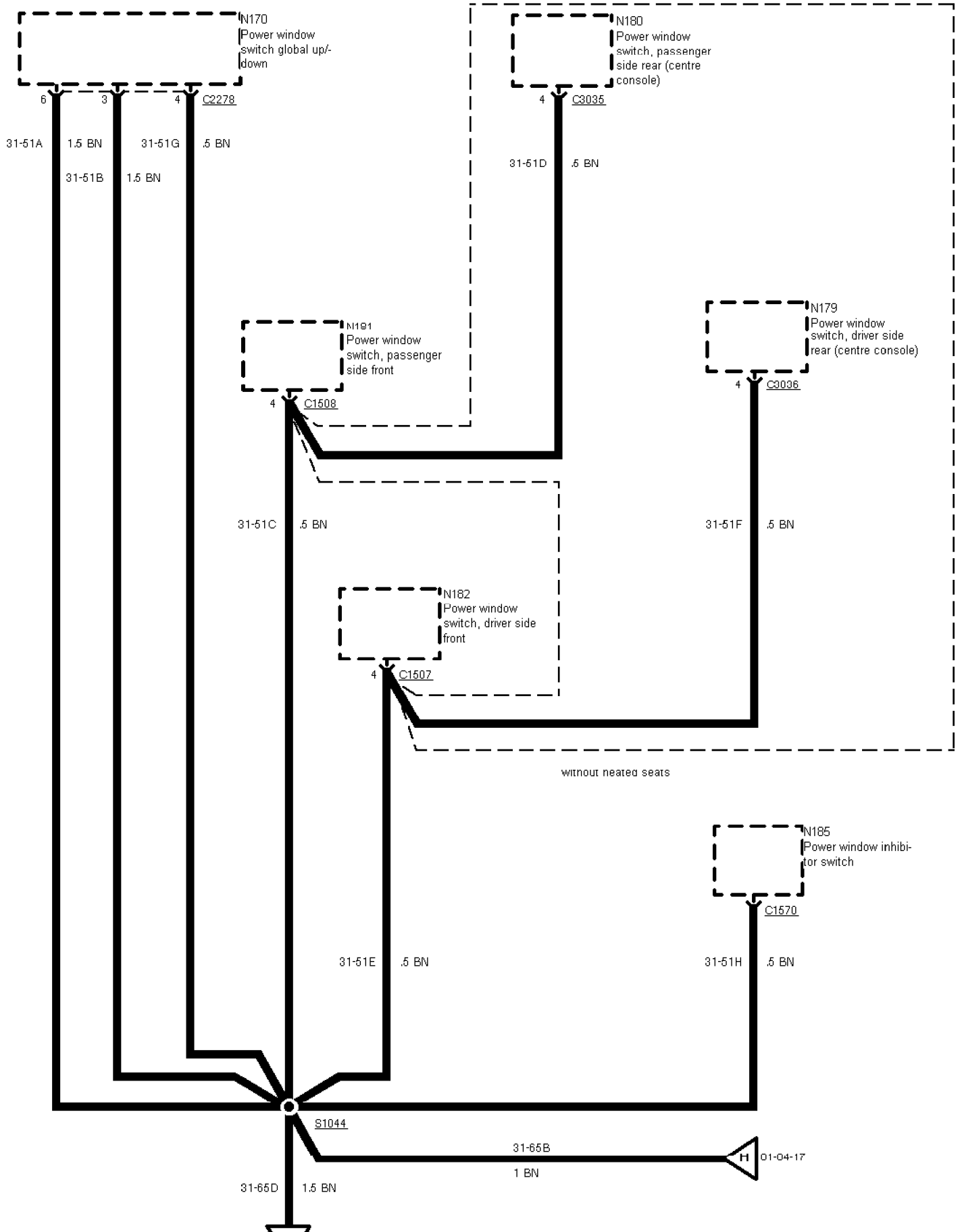
- ◆ → 95
- ◆◆ 95 → 95 1/2
- ◆◆◆ 95 1/2 →





01-04-14

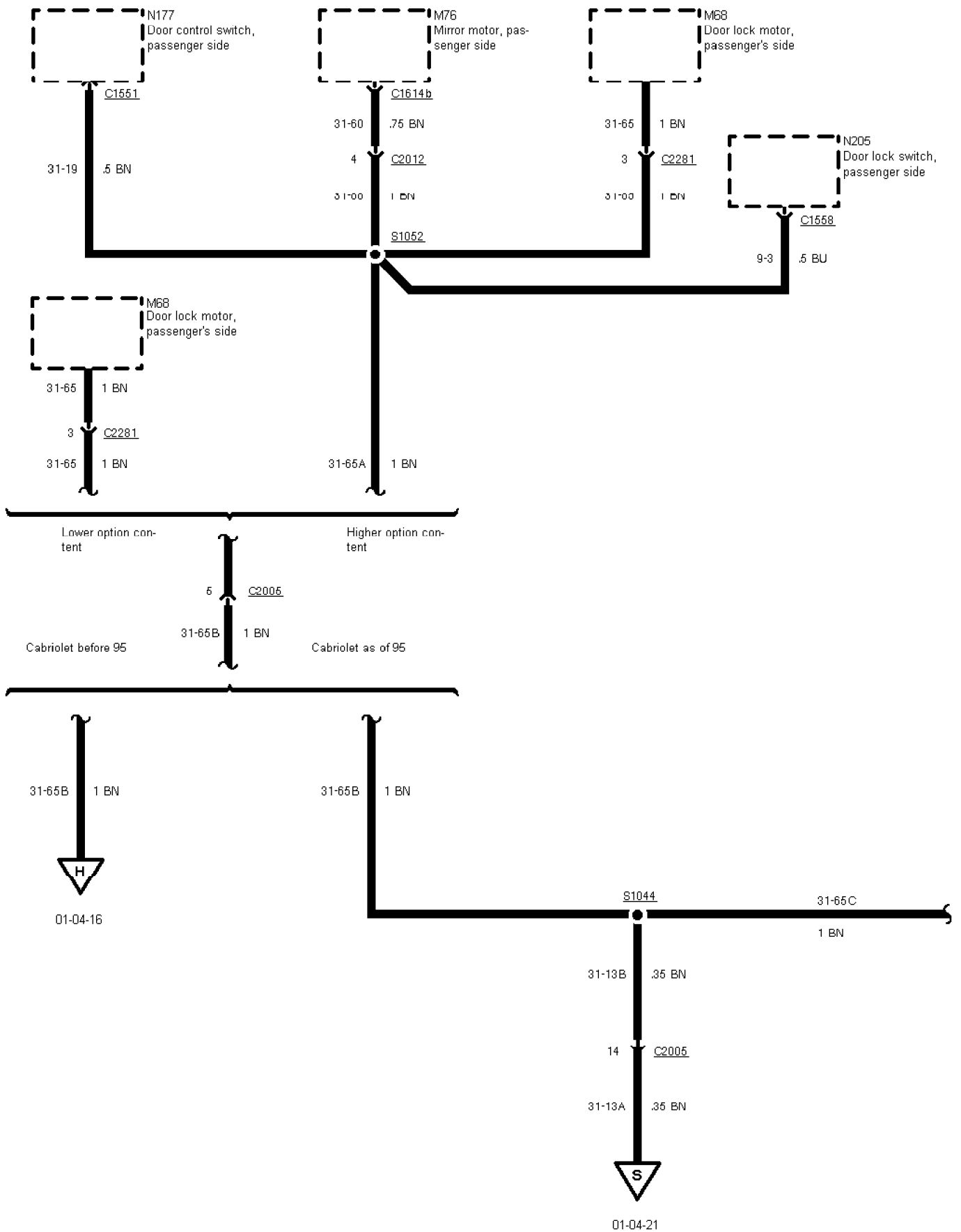
01-04-016 , Earth Distribution , Earth G1002 Cabriolet before 95



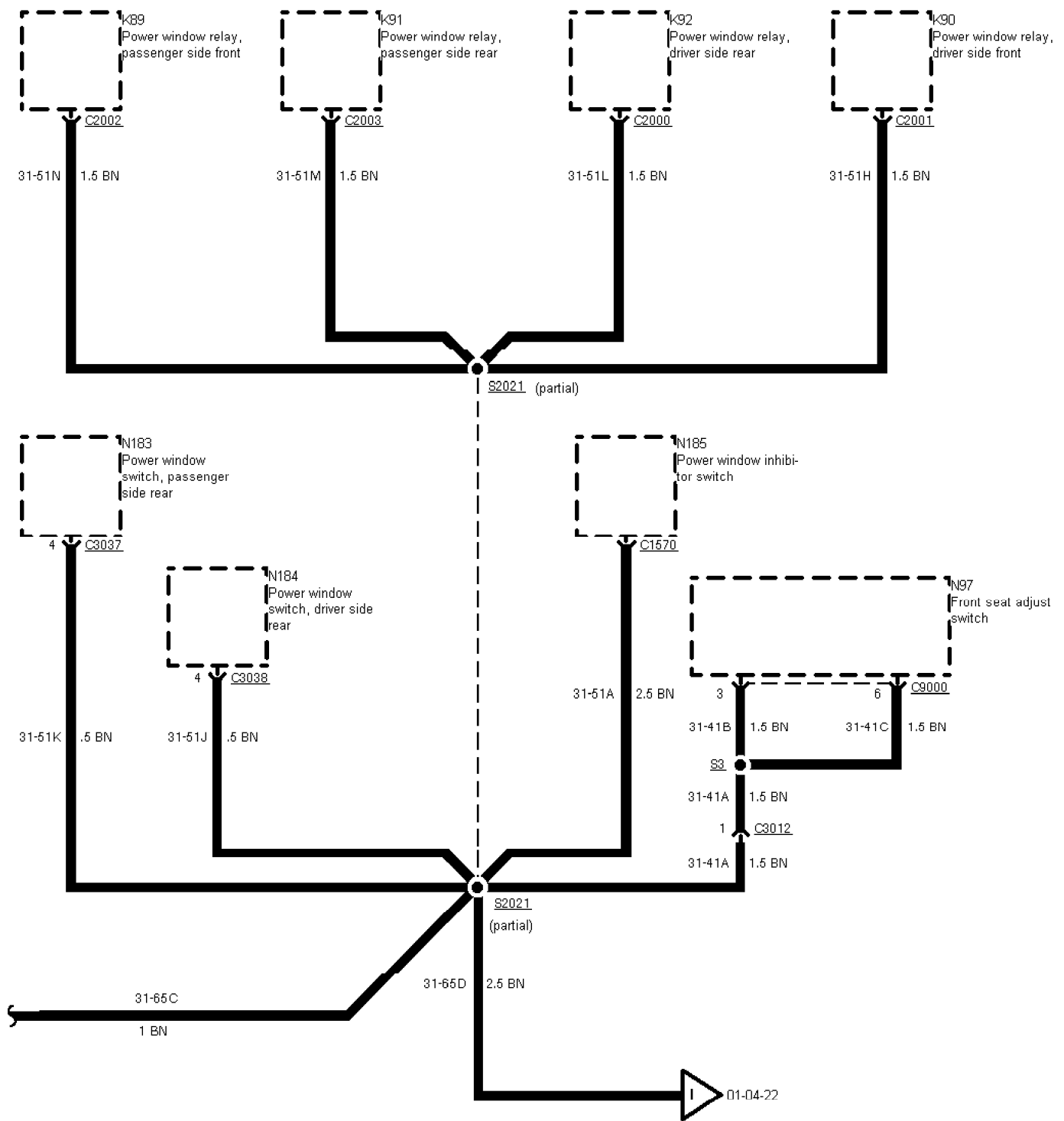


01-04-22

01-04-017 , Earth Distribution , Earth G1002, Cabriolet

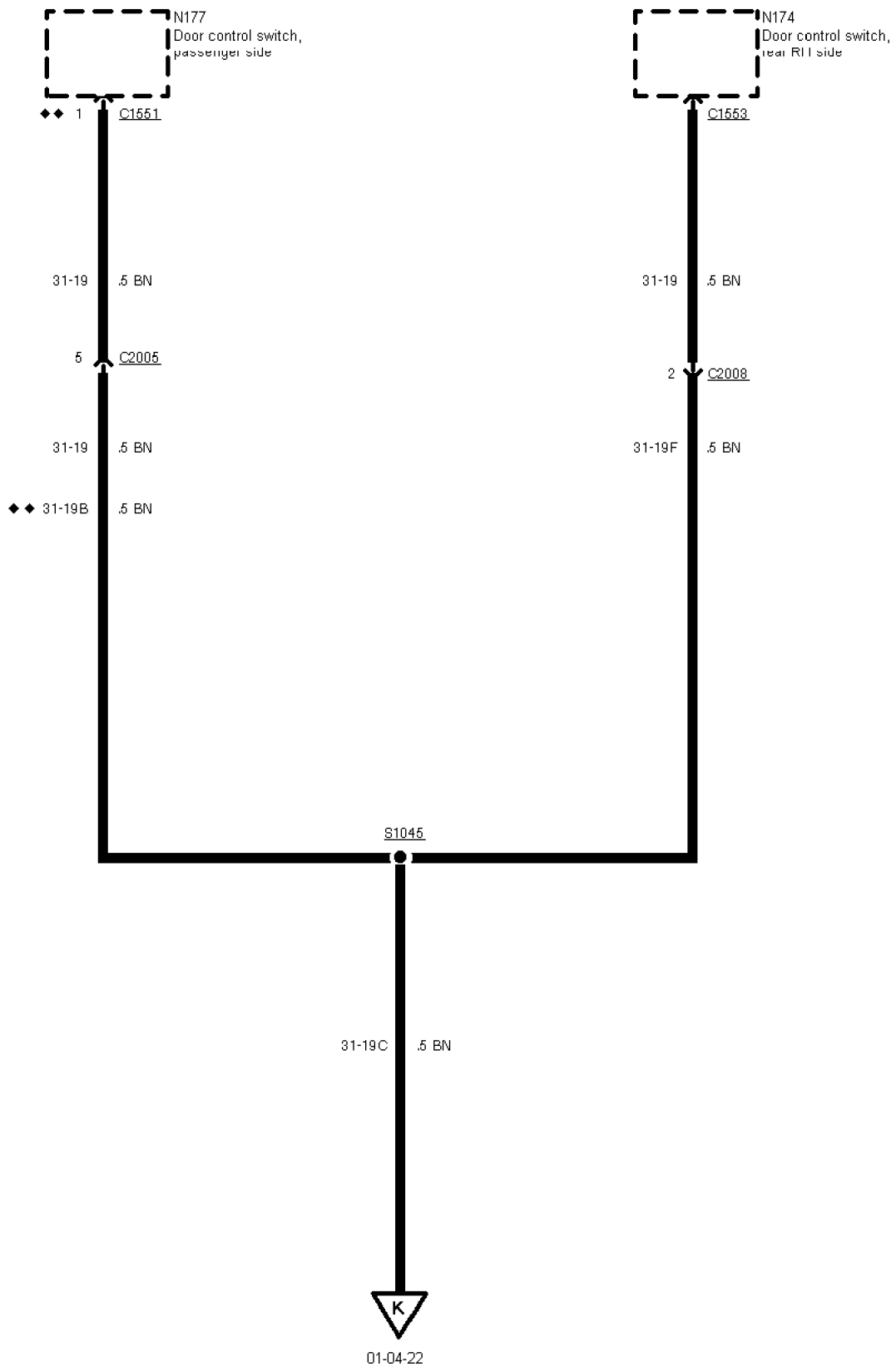


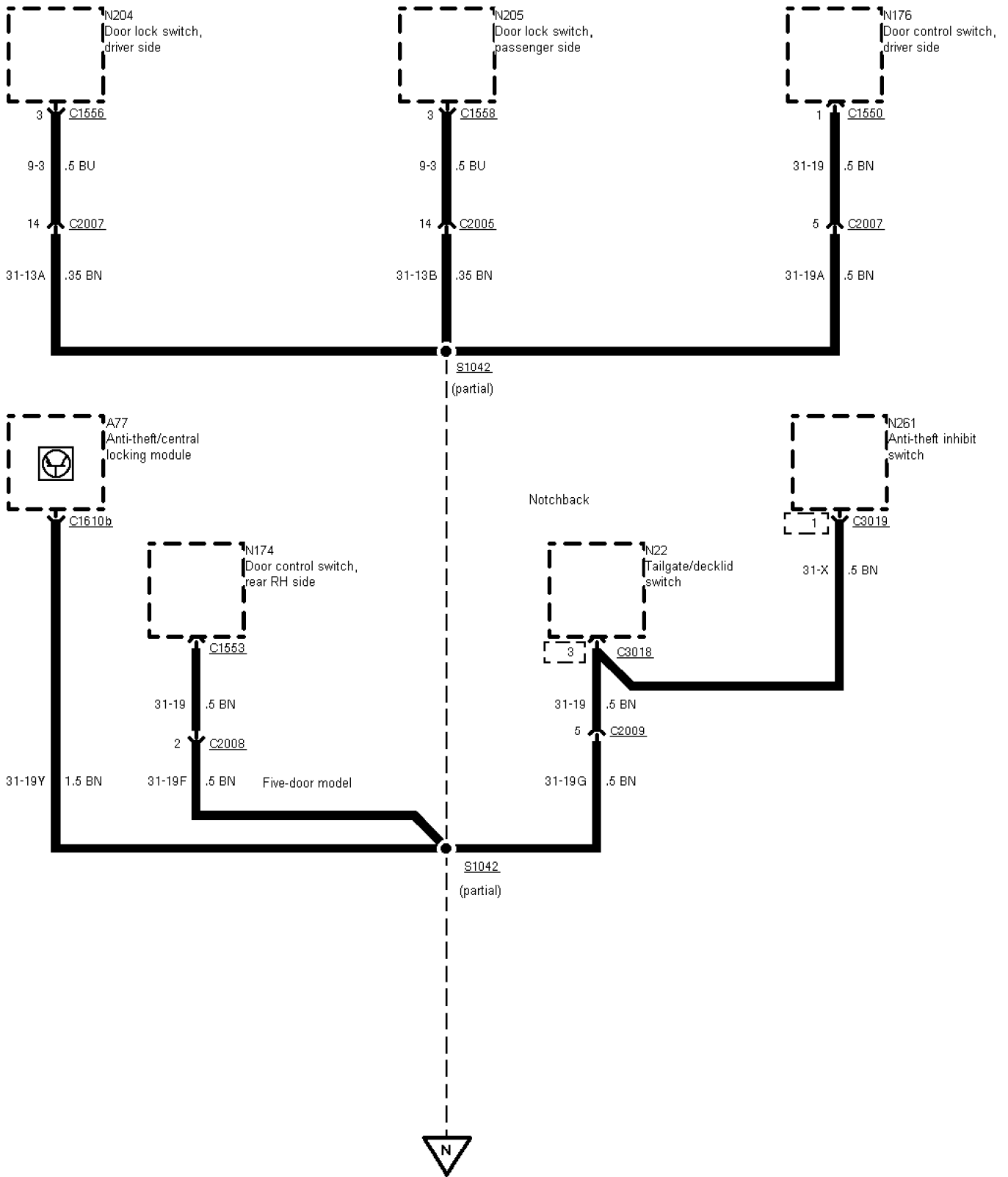
01-04-018 , Earth Distribution , Earth G1002, Cabriolet as of 95



01-04-019 , Earth Distribution , Earth G1002, except RS Cosworth Anti-theft without central door locking 5-door model

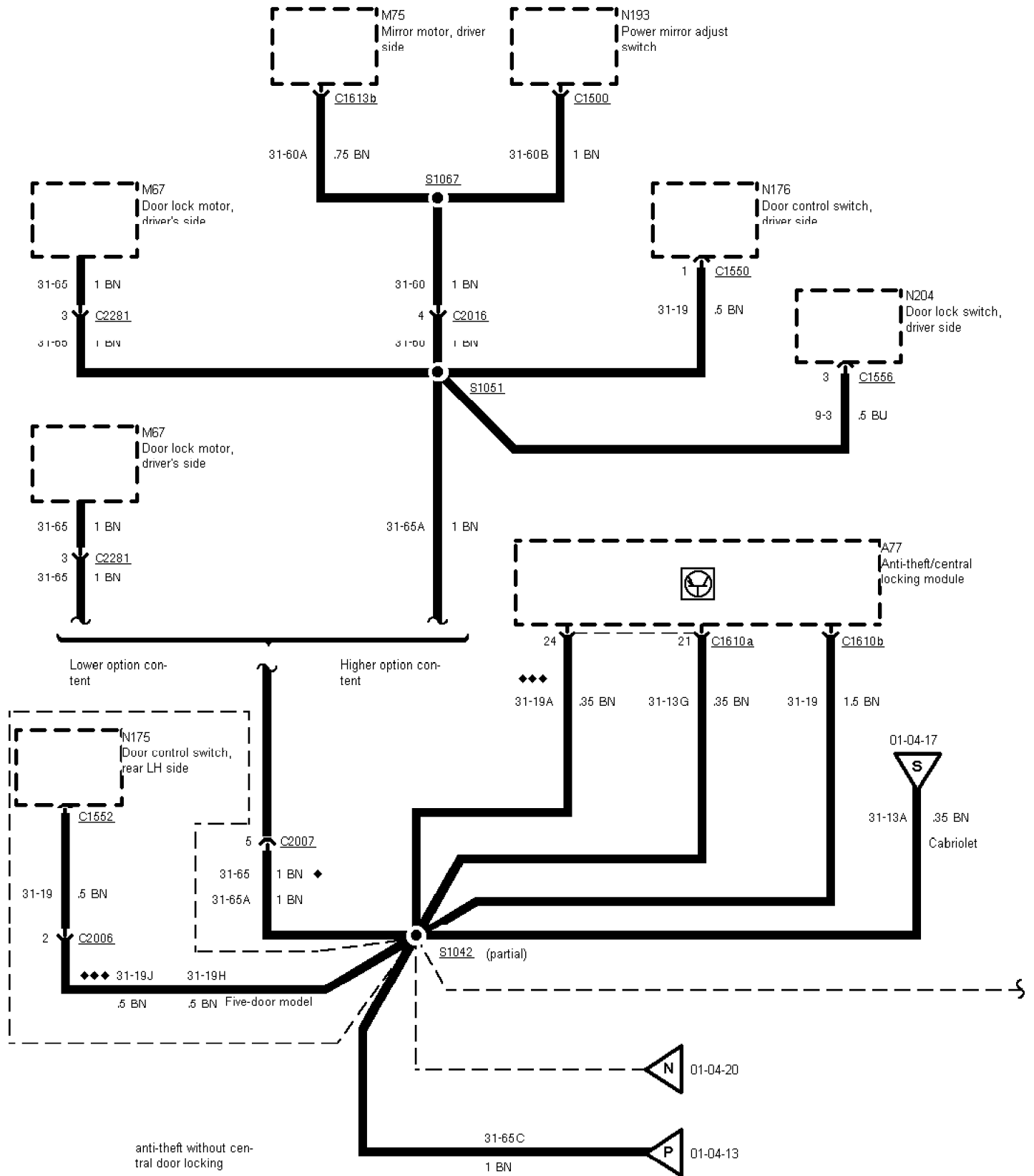
- ◆ → 95
- ◆◆ 95 → 95 ½
- ◆◆◆ 95 ½ →





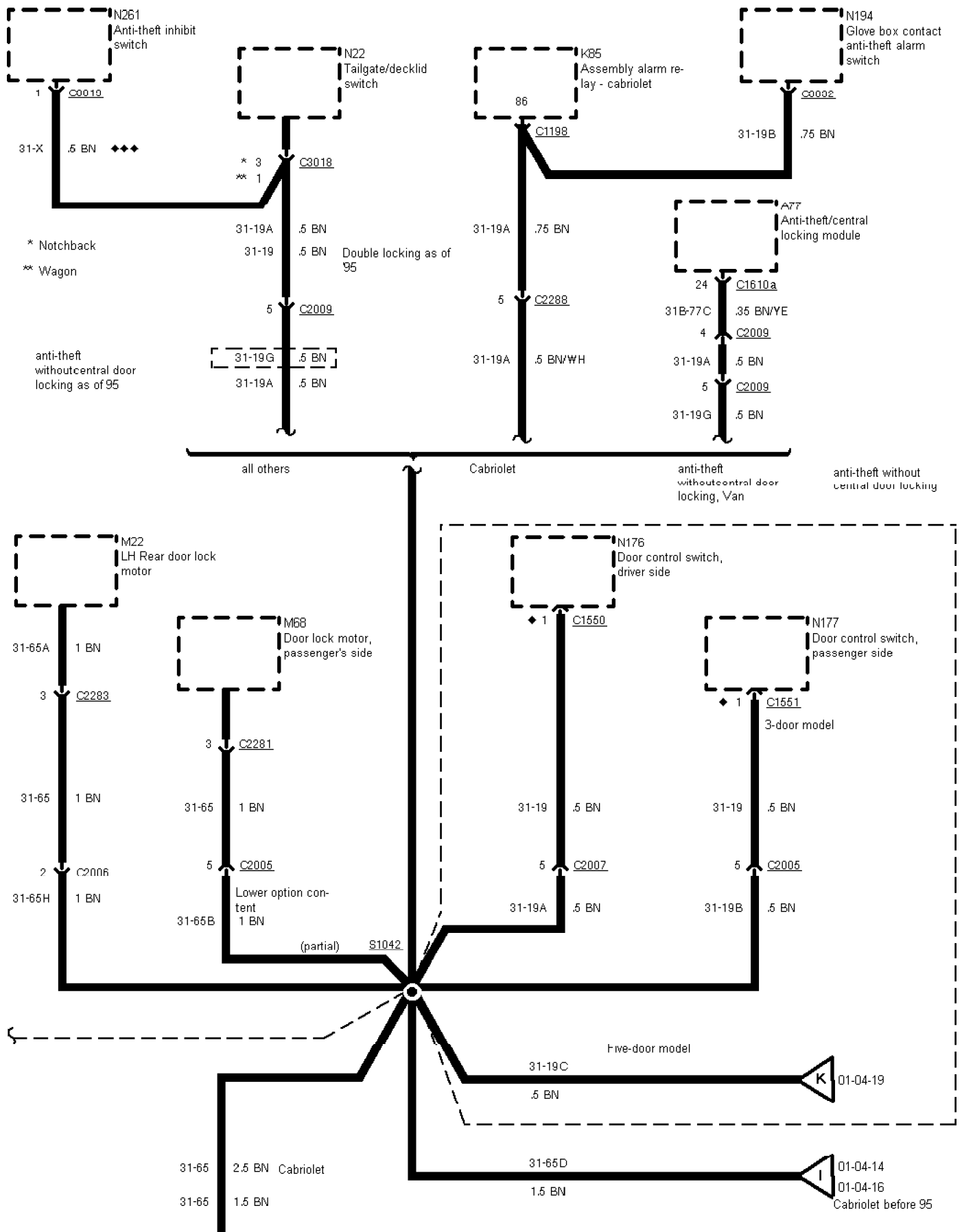
01-04-021 , Earth Distribution , Earth G1002, except RS Cosworth

- ◆ → 95
- ◆◆ 95 → 95 1/2
- ◆◆◆ 95 1/2 →



01-04-022 , Earth Distribution , Earth G1002, except RS Cosworth

- ◆ → '95
- ◆◆ 95 → '95 ½
- ◆◆◆ '95 ½ →





01-04-23

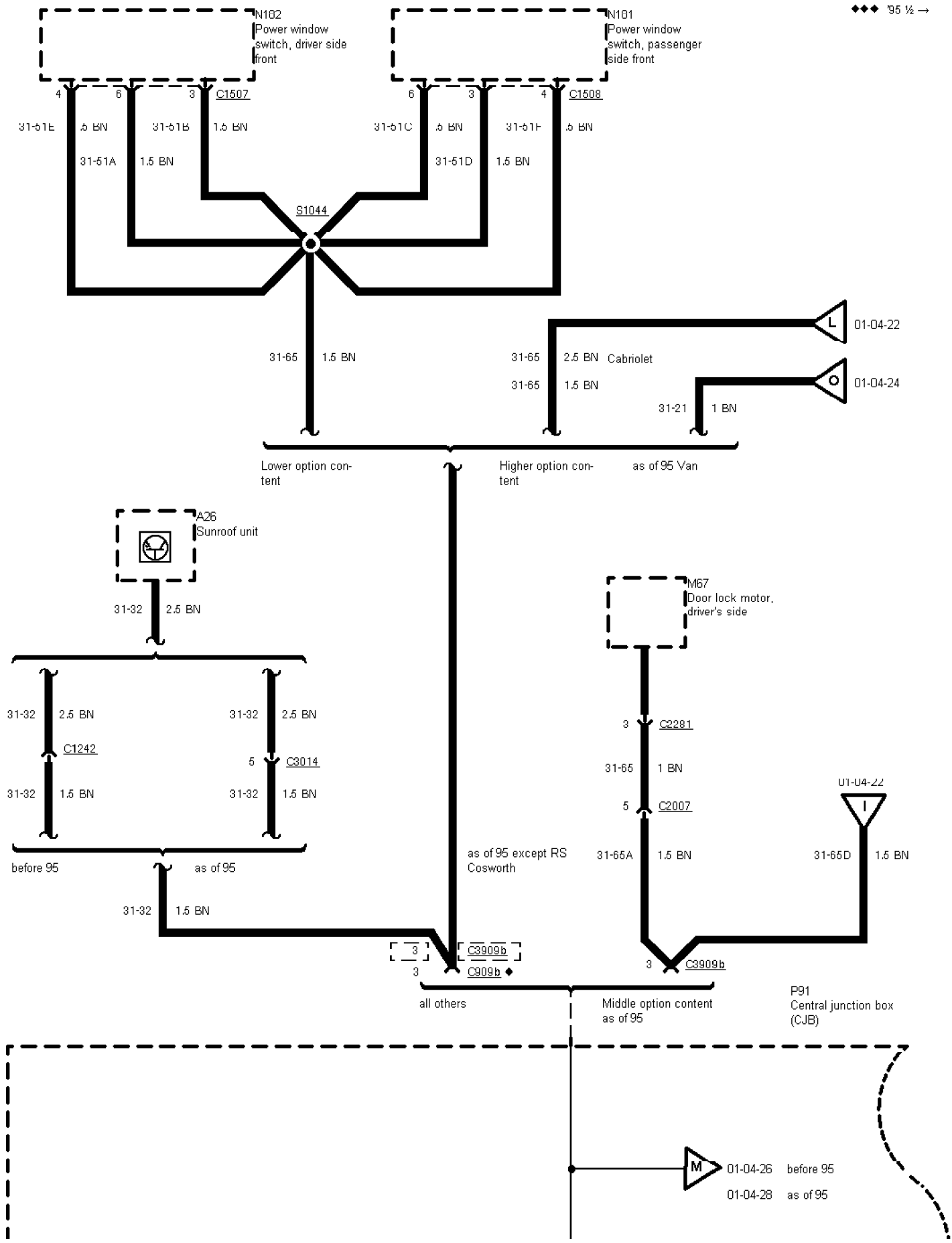
01-04-23

01-04-18

Cabriolet as of 95

01-04-023 , Earth Distribution , Earth G1002, except RS Cosworth

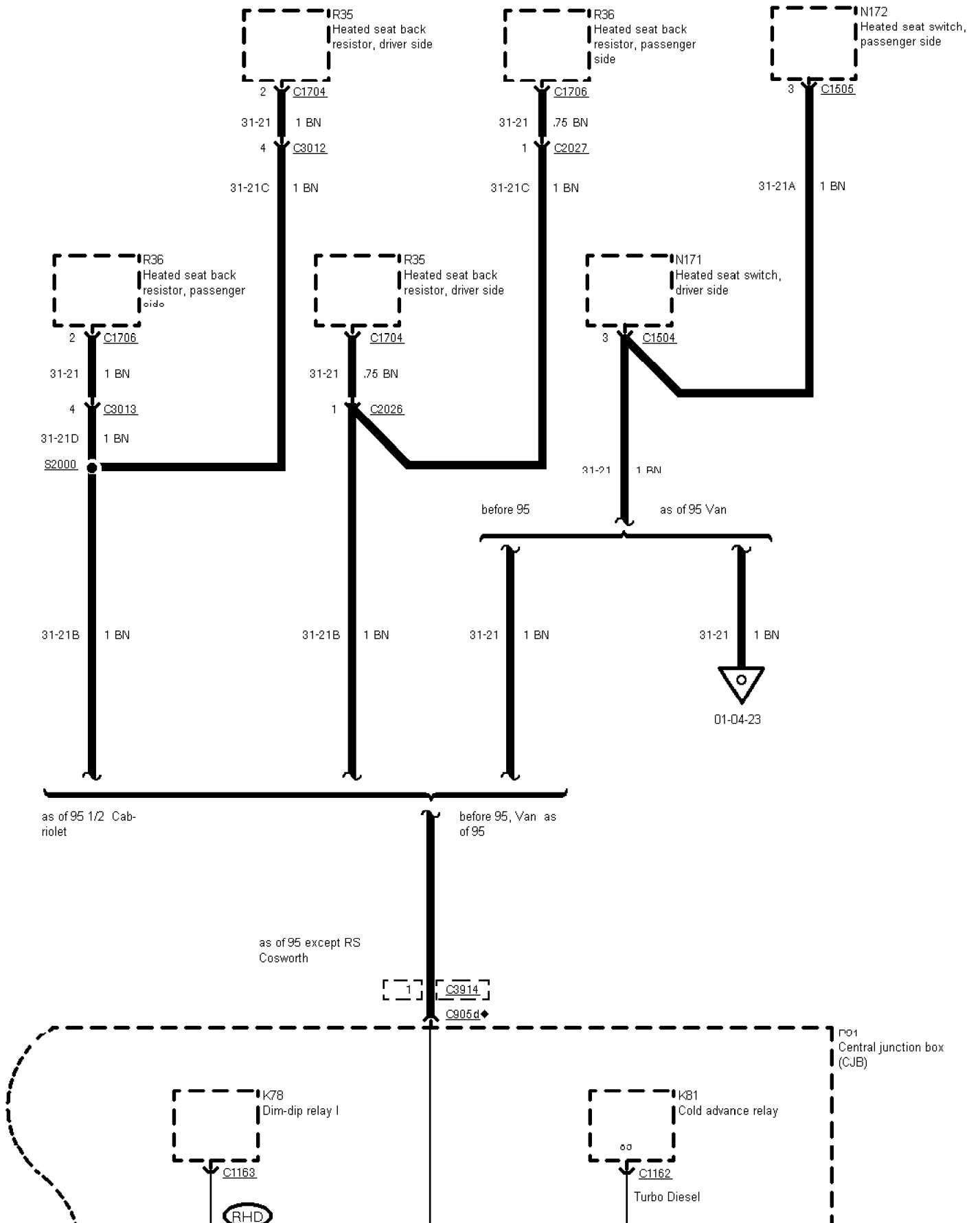
- ◆ → 95
- ◆◆ 95 → 95 1/2
- ◆◆◆ 95 1/2 →





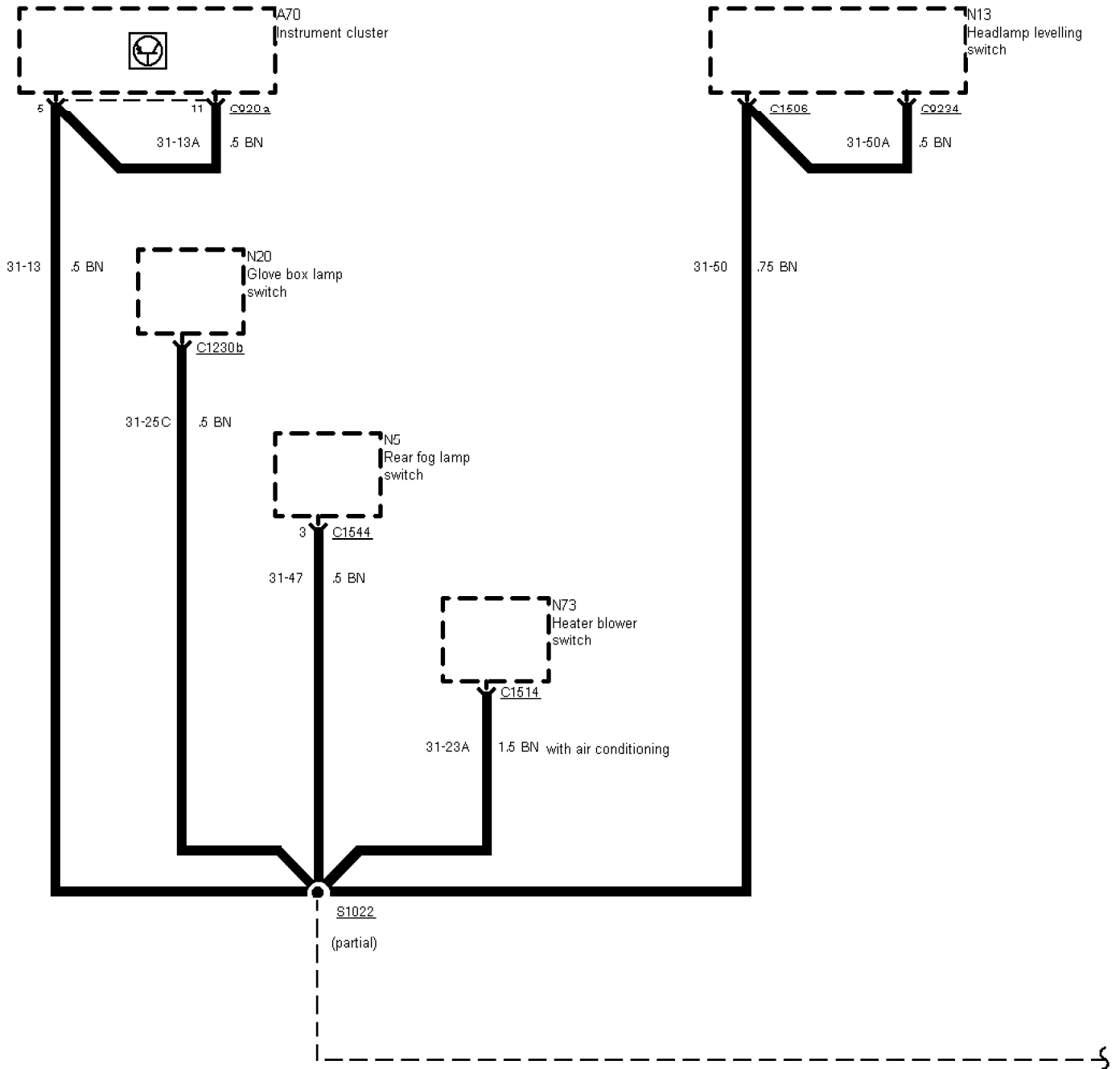
01-04-024 , Earth Distribution , Earth G1002, except RS Cosworth

- ◆ → 95
- ◆◆ 95 → 95 1/2
- ◆◆◆ 95 1/2 →

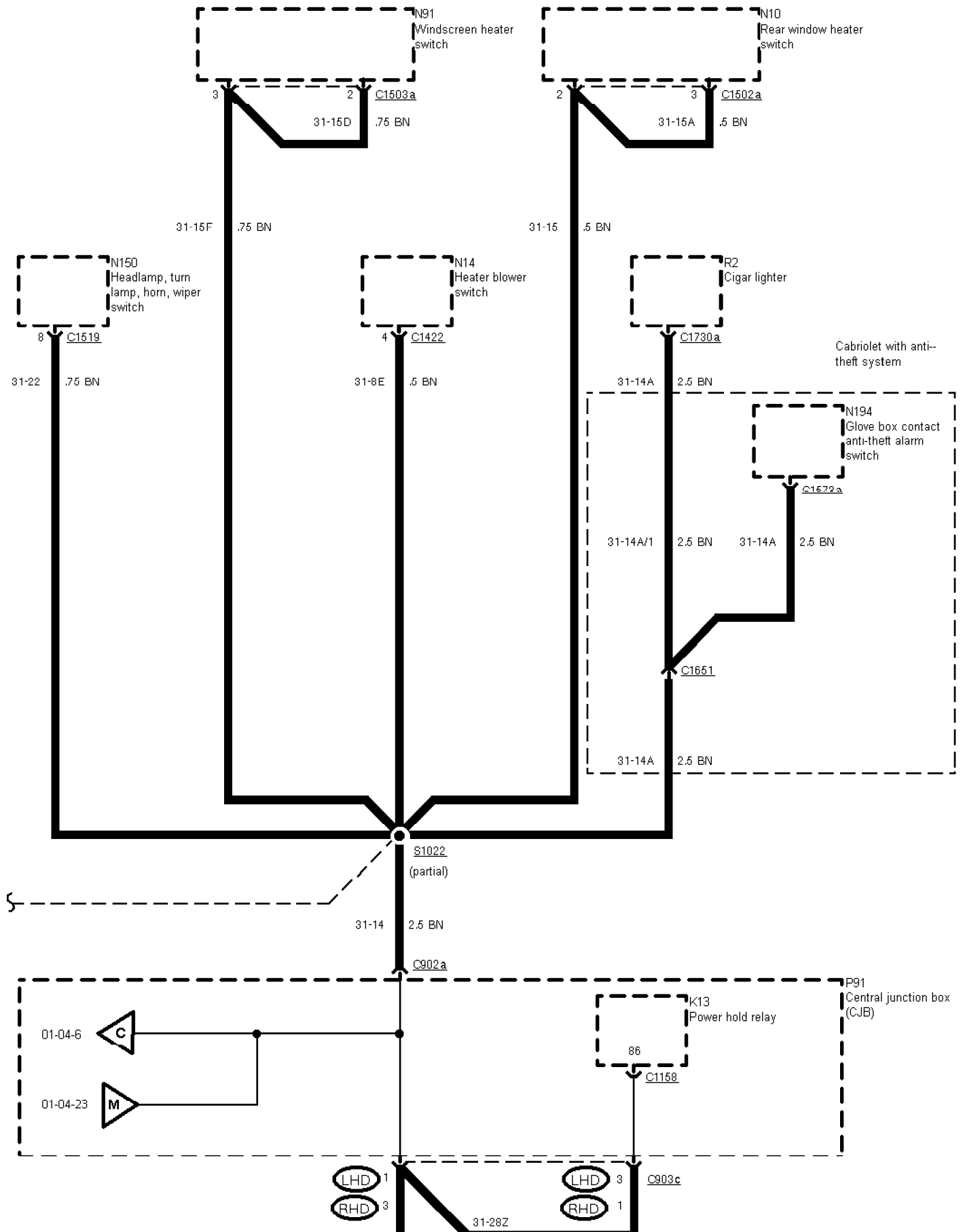


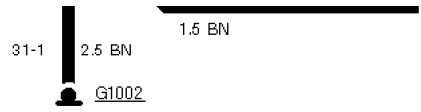


01-04-025 , Earth Distribution , Earth G1002, except RS Cosworth Before 95



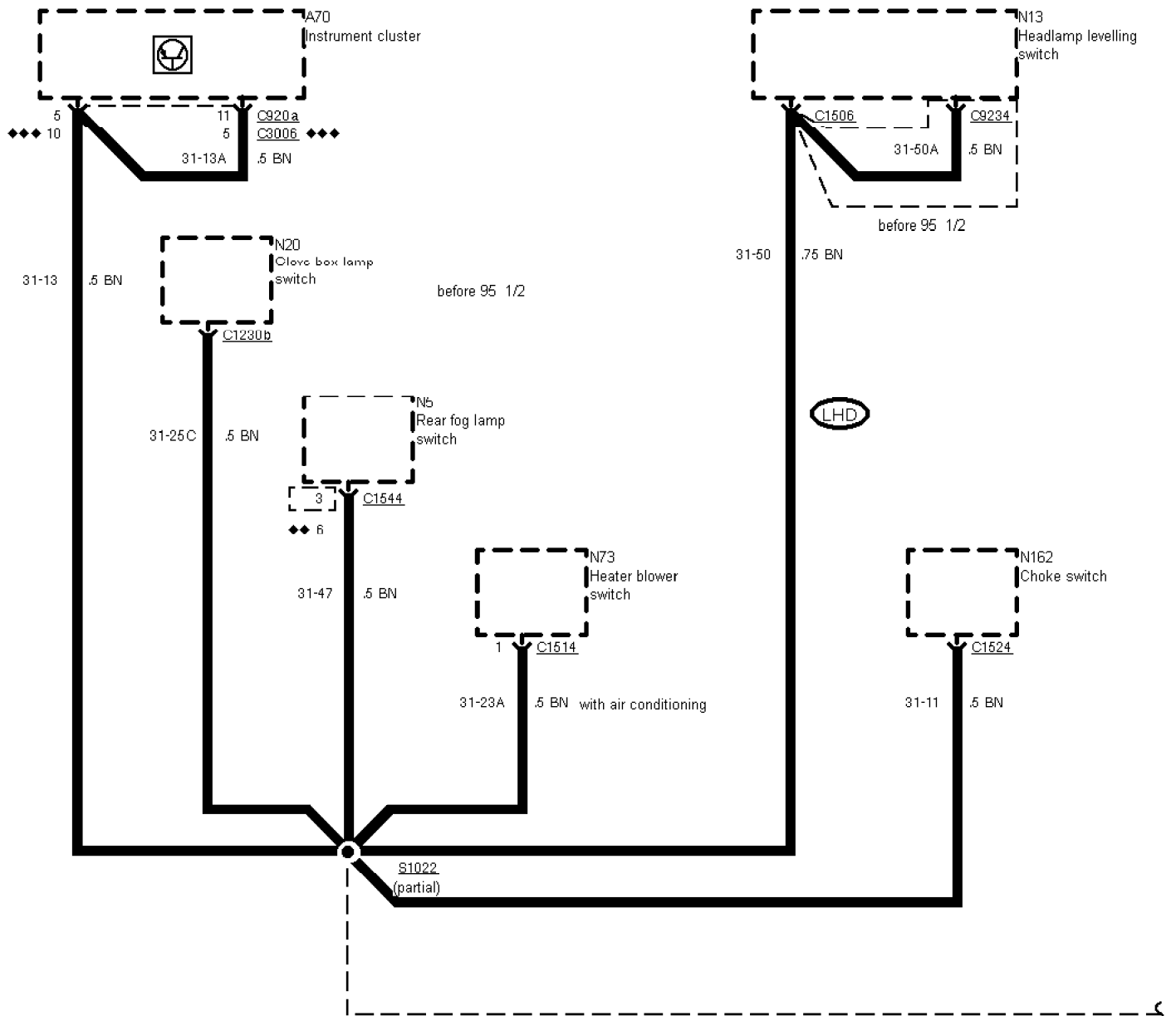
01-04-026 , Earth Distribution , Earth G1002, except RS Cosworth Before 95





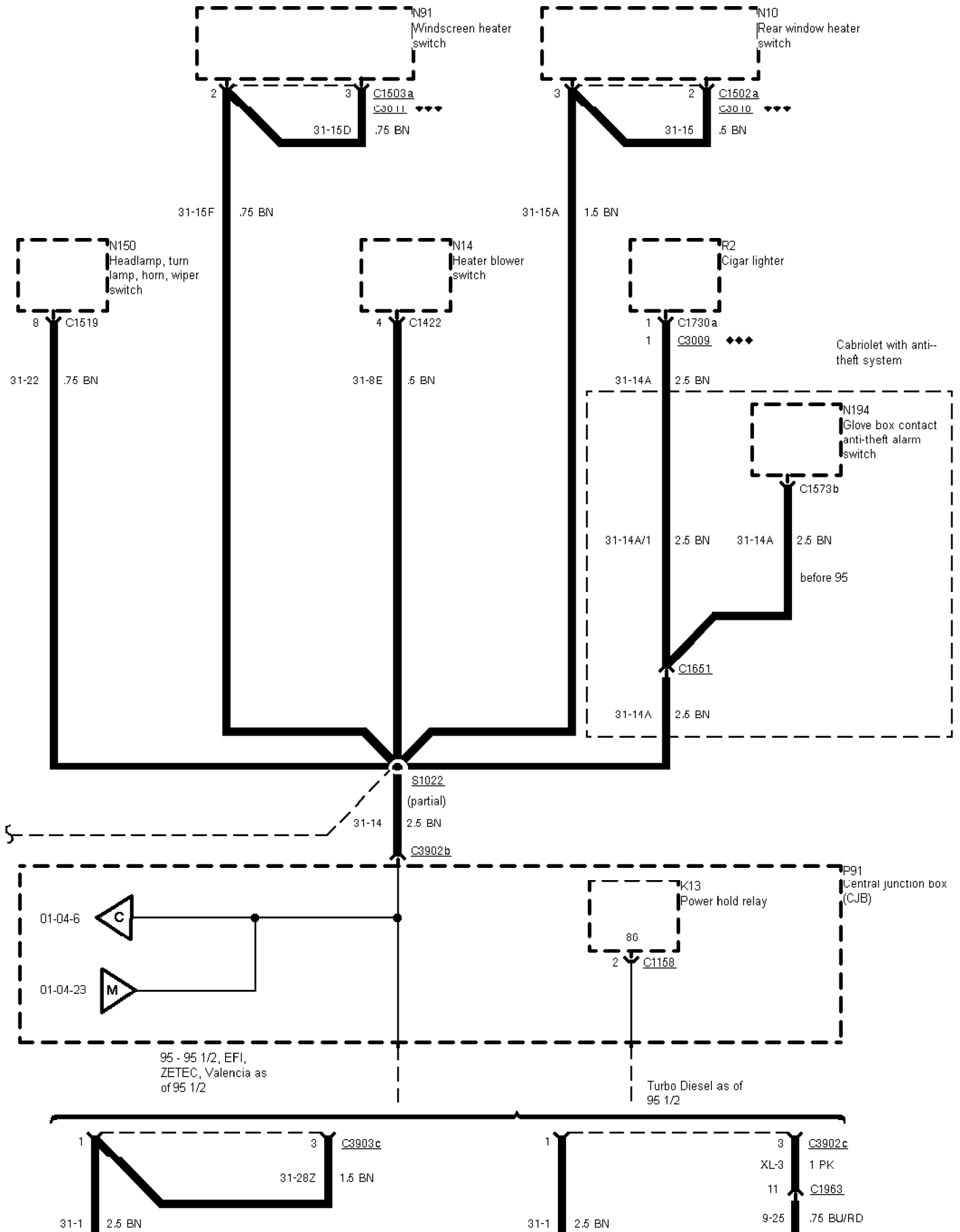
01-04-027 , Earth Distribution , Earth G1002, except RS Cosworth As of 95

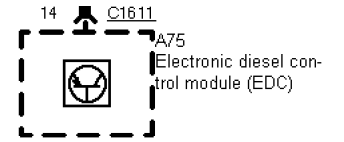
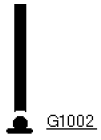
- ◆ → '95
- ◆◆ 95 → '95 1/2
- ◆◆◆ '95 1/2 →



01-04-028 , Earth Distribution , Earth G1002, except RS Cosworth As of 95

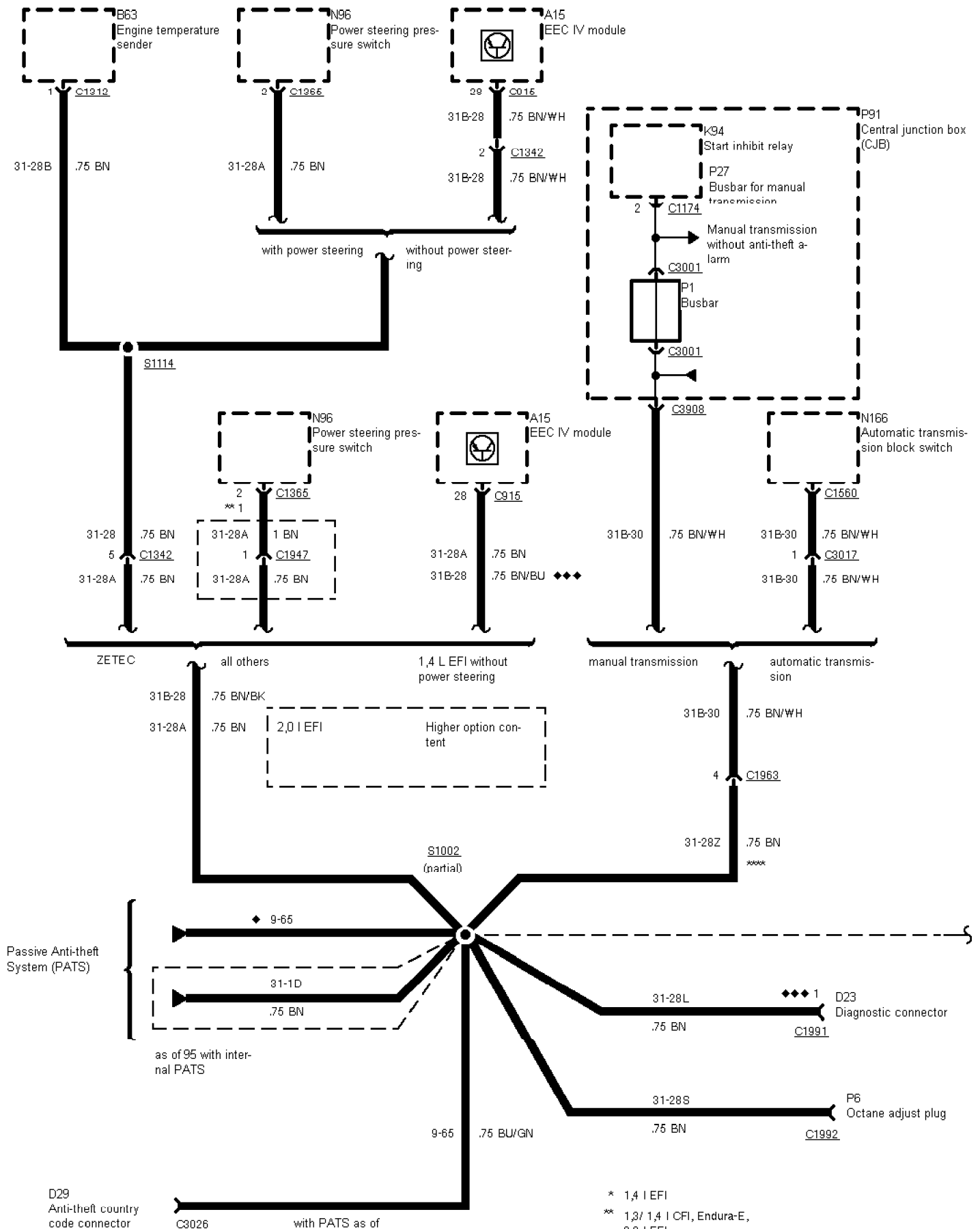
- ◆ → 95
- ◆◆ 95 → 95 1/2
- ◆◆◆ 95 1/2 →





01-04-029 , Earth Distribution , Earth G1004 Except RS Cosworth

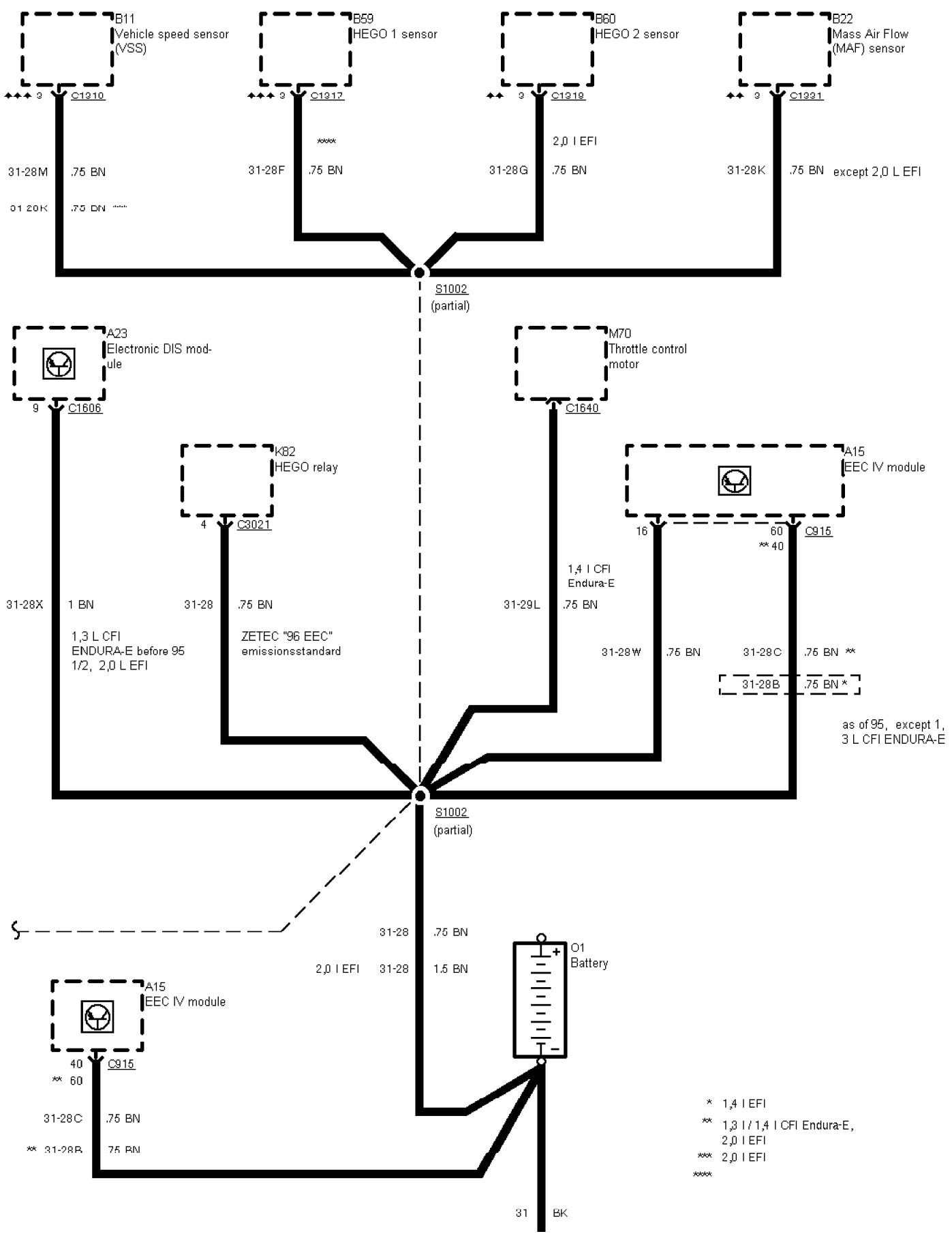
- ◆ → '95
- ◆◆ 95 → '95 1/2
- ◆◆◆ '95 1/2 →

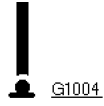


2.0 I EPI
*** 2.0 I EPI
*** ZETEC "96 EEC"
emissionsstandard

01-04-030 , Earth Distribution , Earth G1004 Except RS Cosworth

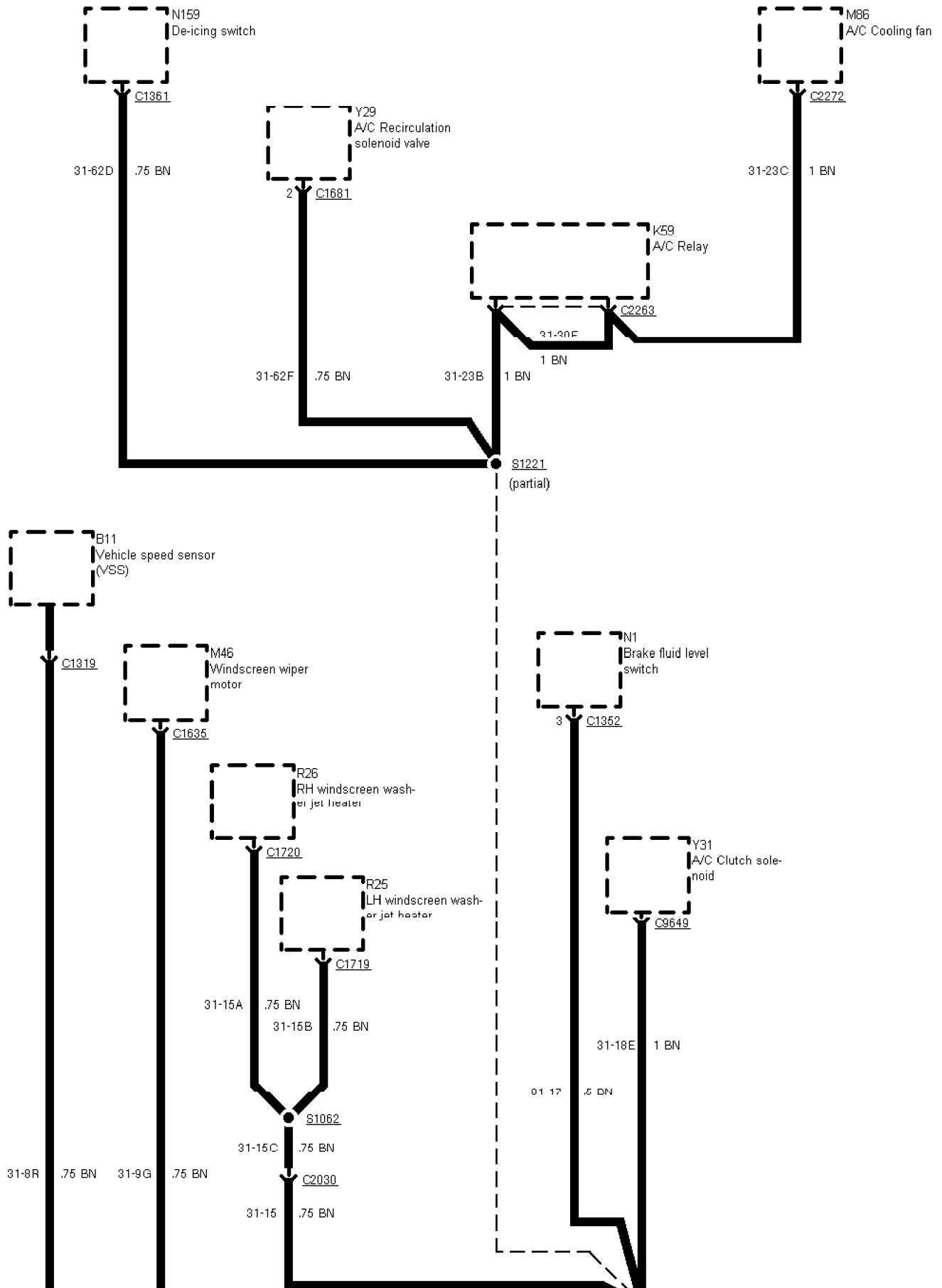
- ◆ → '95
- ◆◆ 95 → '95 ½
- ◆◆◆ '95 ½ →





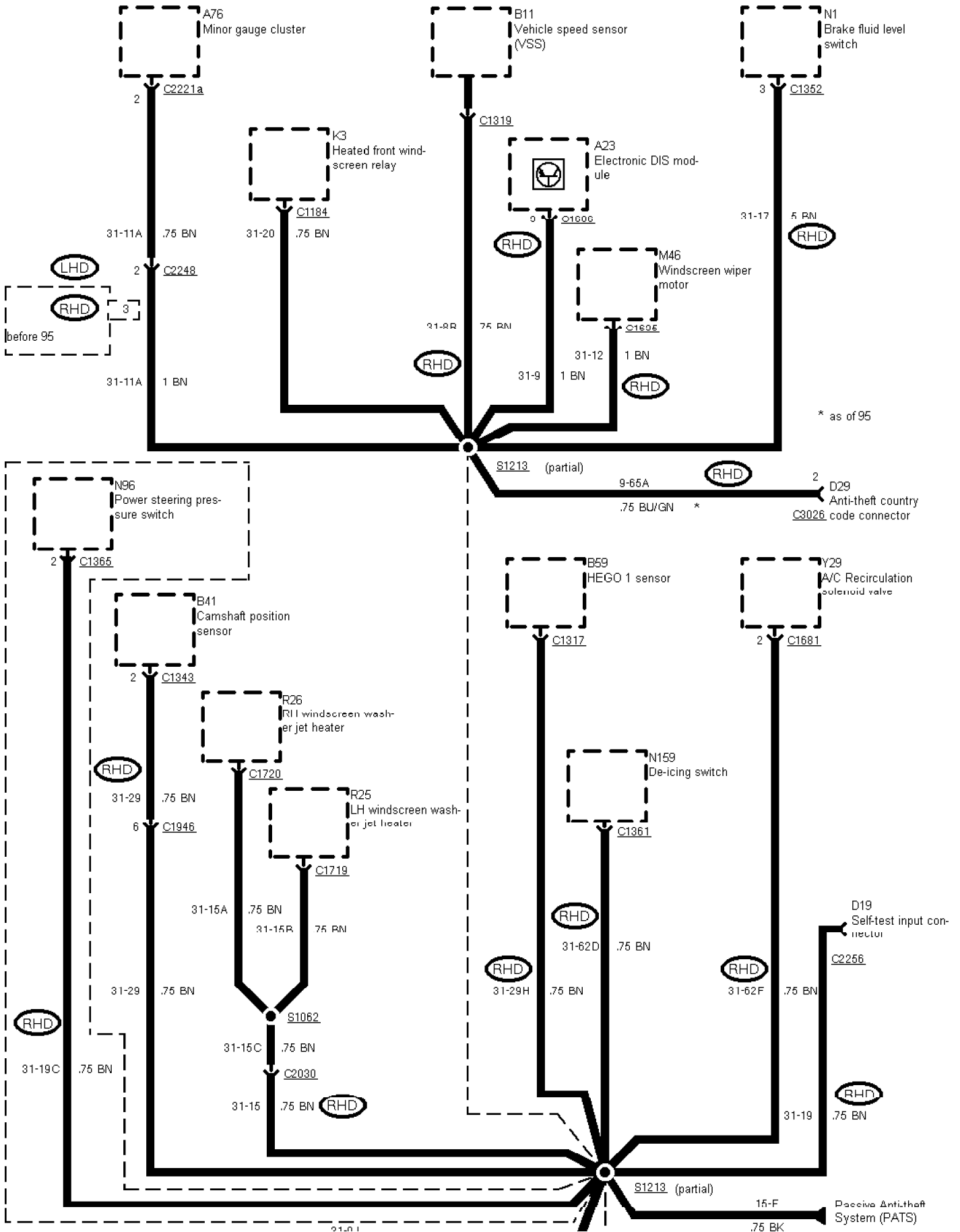
G1004

01-04-031 , Earth Distribution , Earth G1004 RS Cosworth, LHD



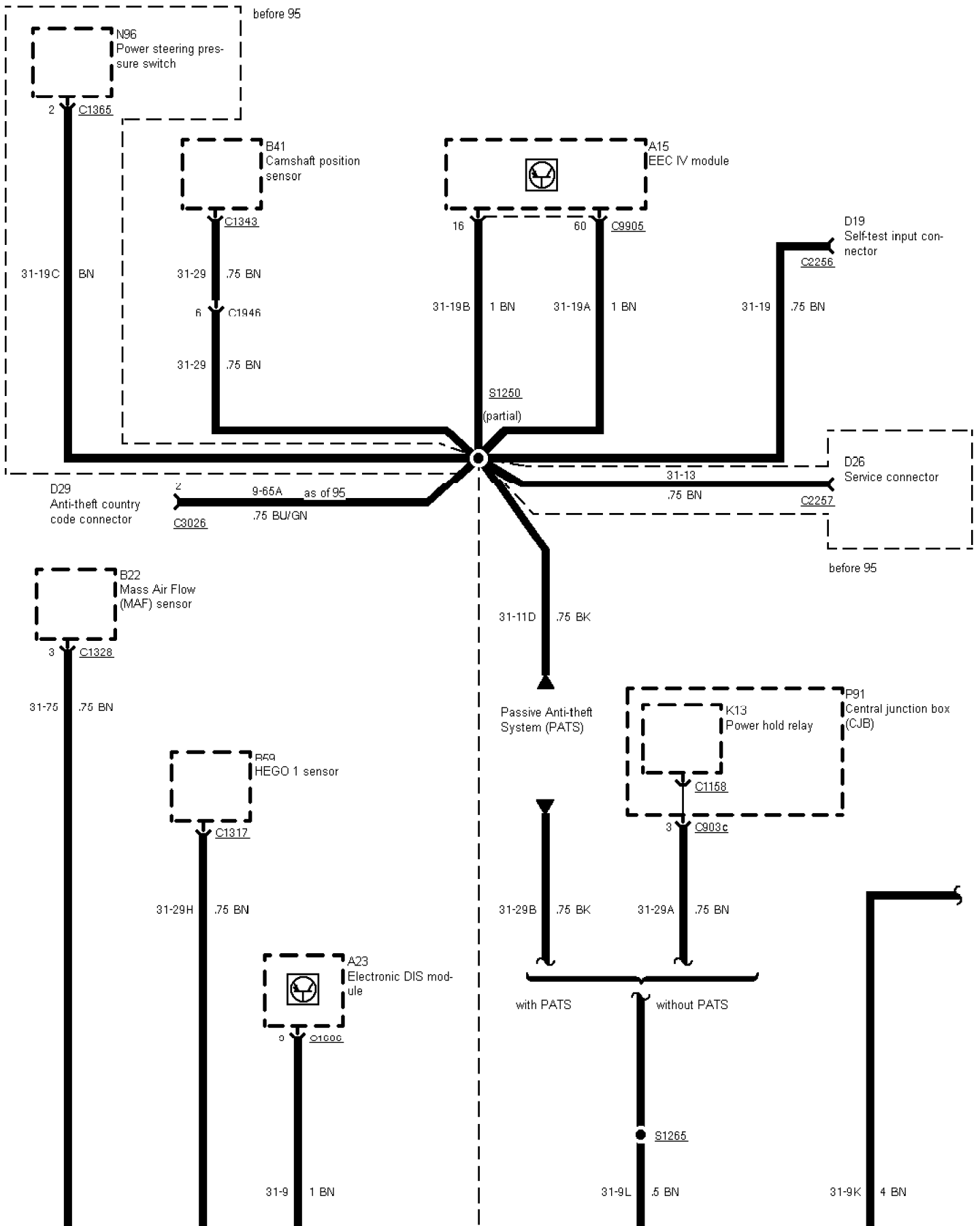


01-04-032 , Earth Distribution , Earth G1004 RS Cosworth



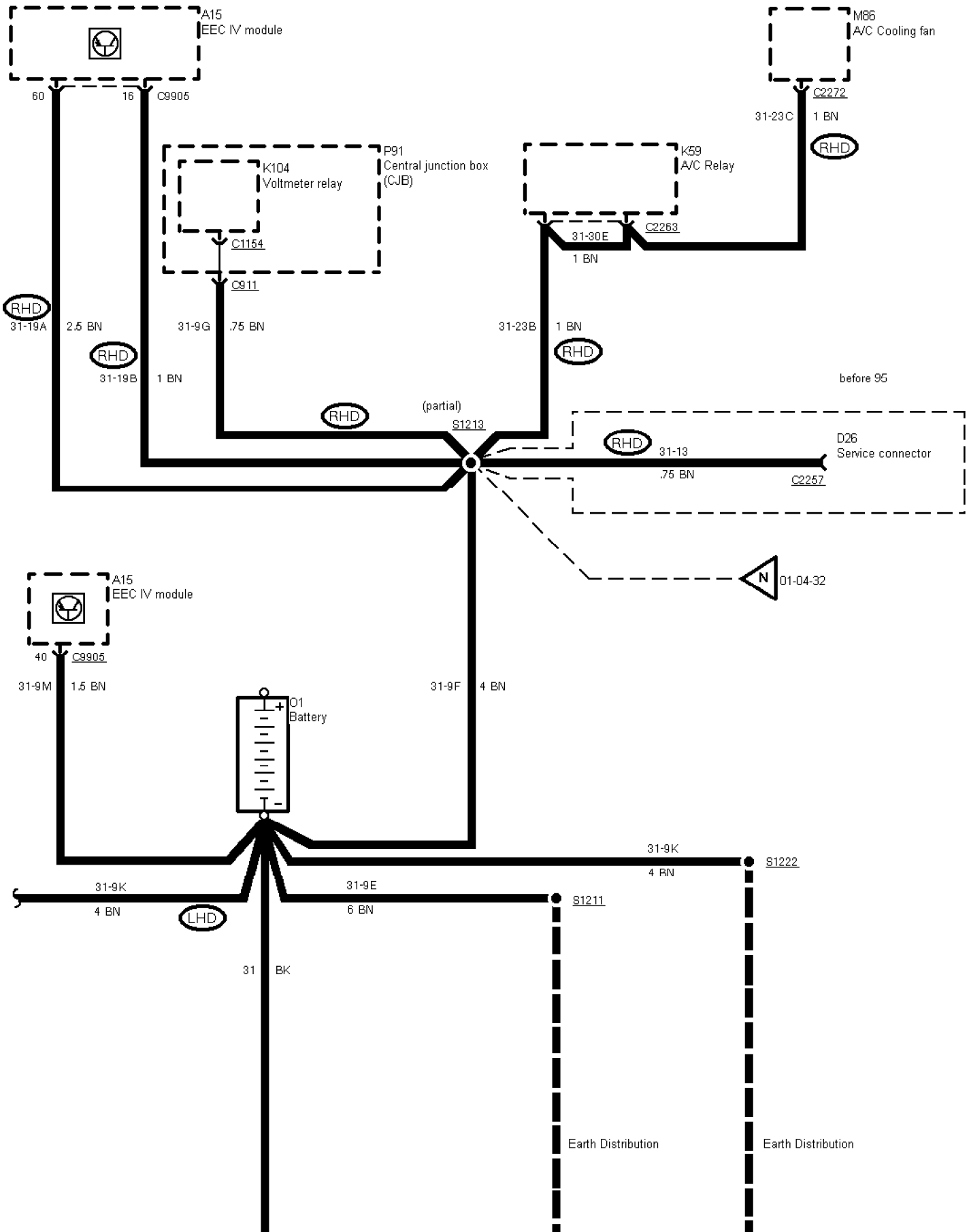


01-04-033 , Earth Distribution , Earth G1004 RS Cosworth, LHD



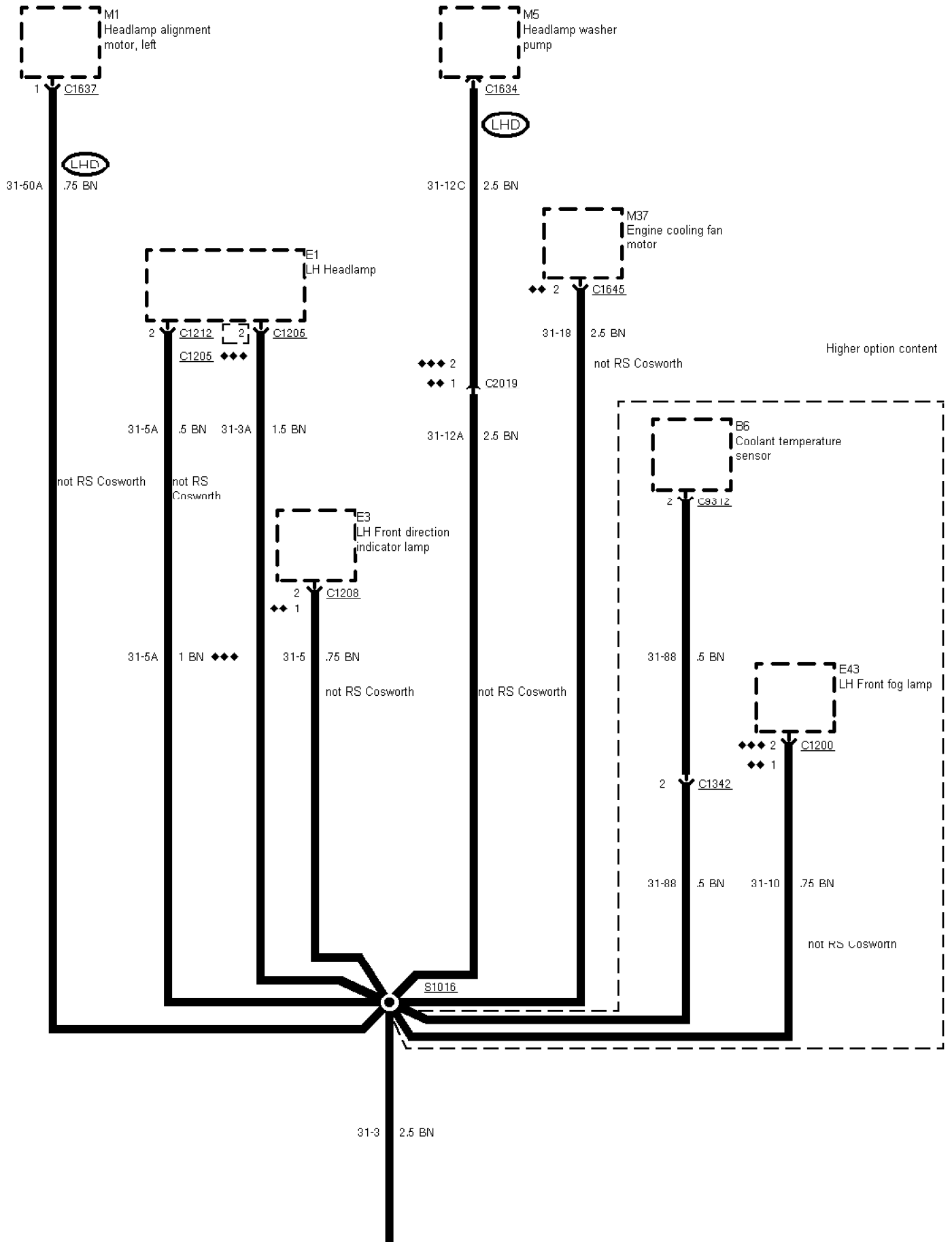


01-04-034 , Earth Distribution , Earth G1004 RS Cosworth



01-04-035 , Earth Distribution , Earth G1008

- ◆ → '95
- ◆◆ 95 → '95 ½
- ◆◆◆ '95 ½ →

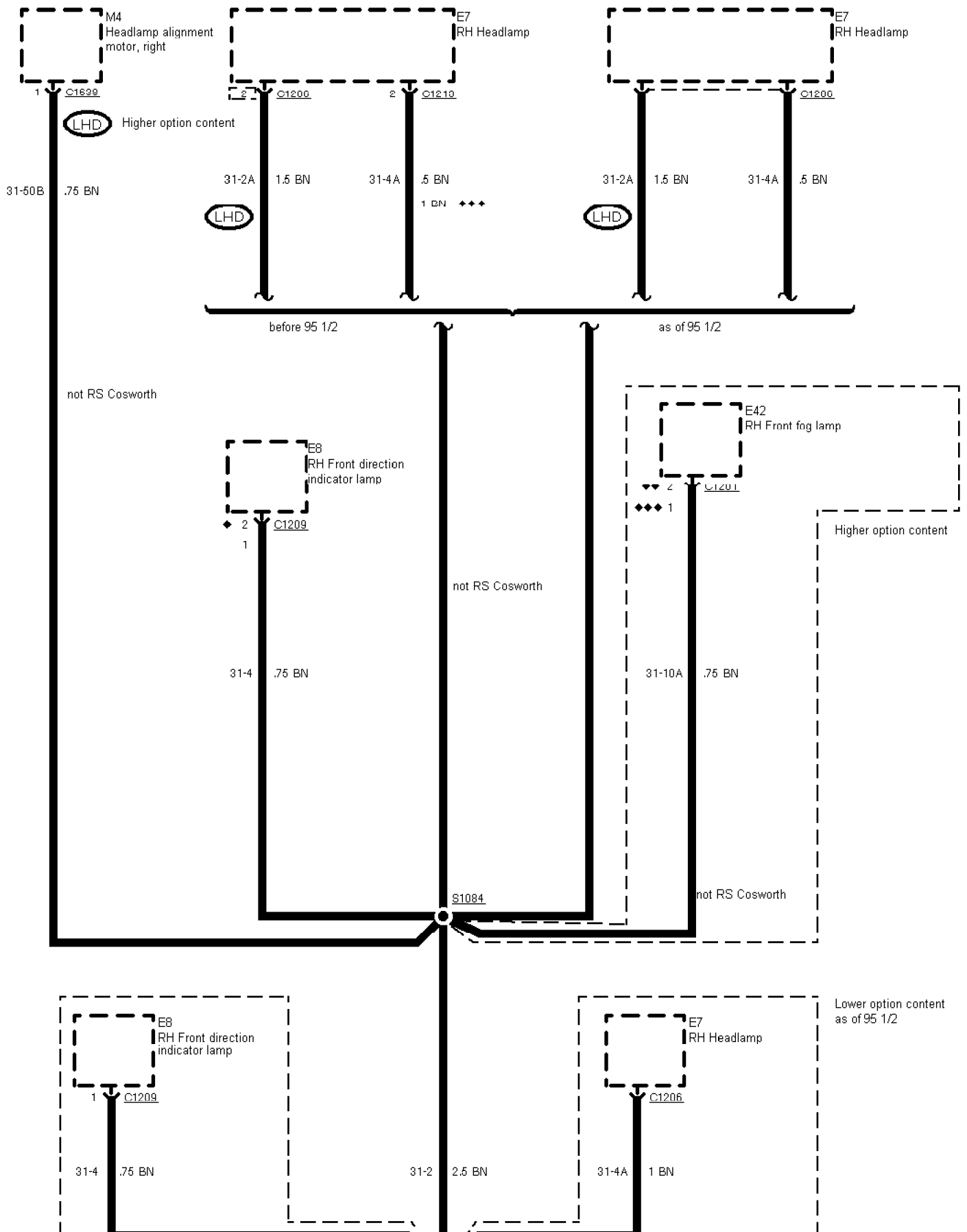




G1008

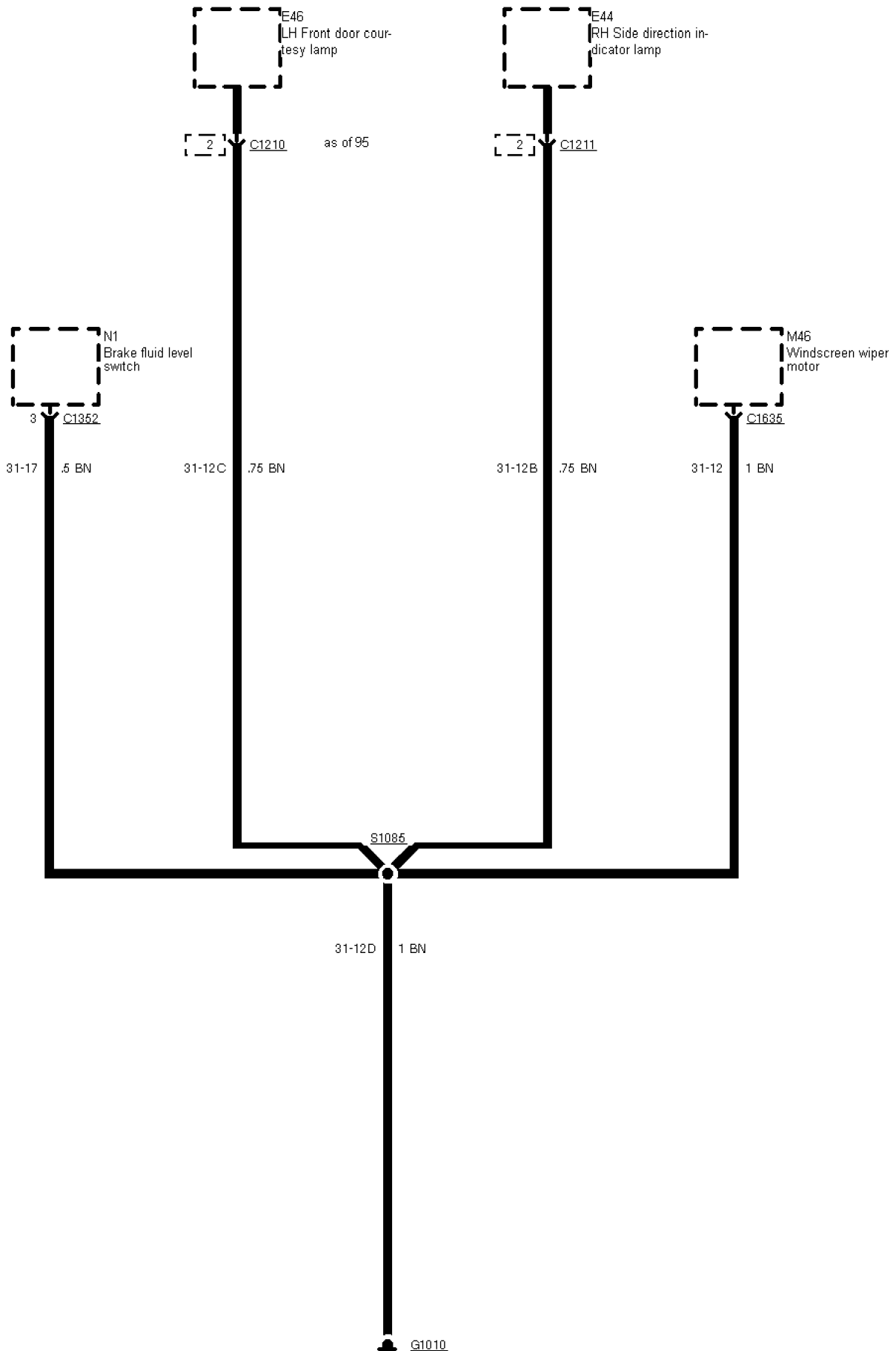
01-04-036 , Earth Distribution , Earth G1009

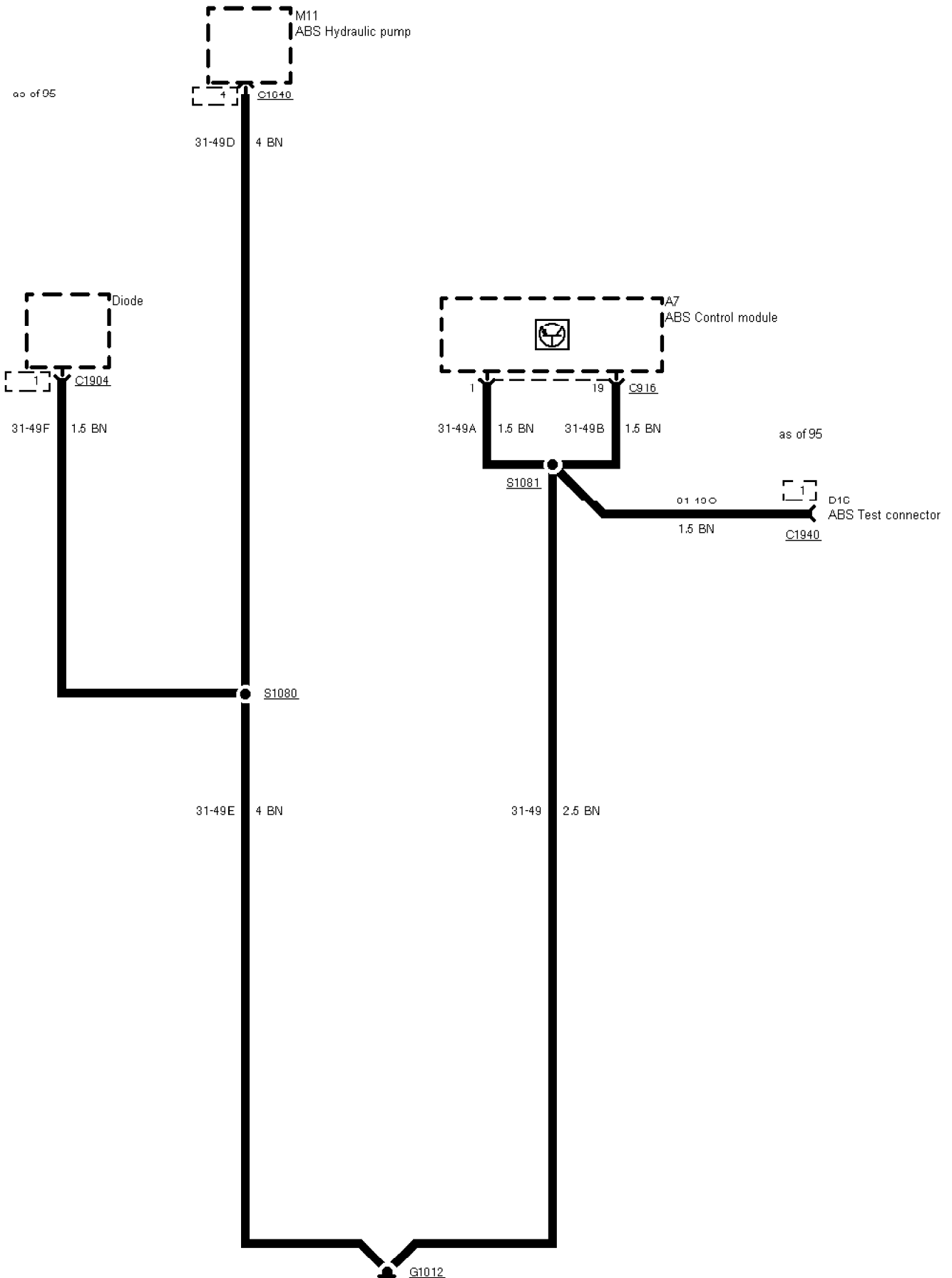
- ◆ → 95
- ◆◆ 95 → 95 1/2
- ◆◆◆ 95 1/2 →



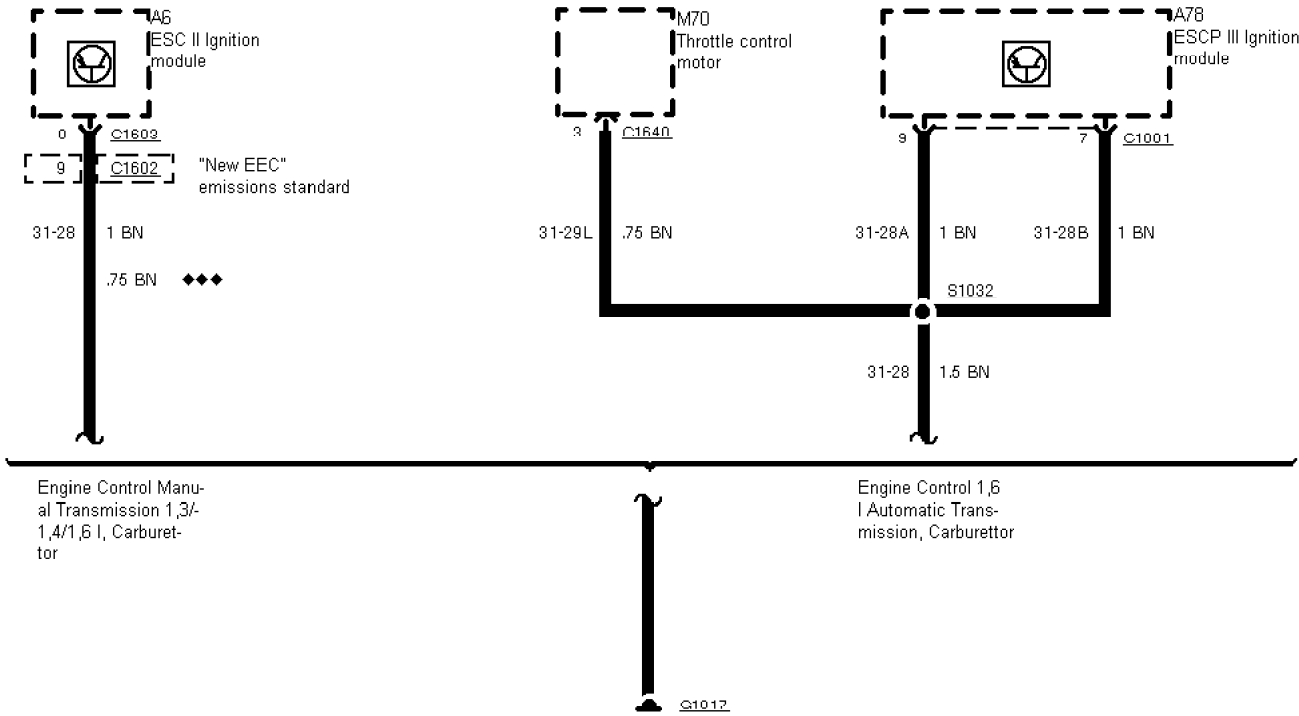


01-04-037 , Earth Distribution , Earth G1010

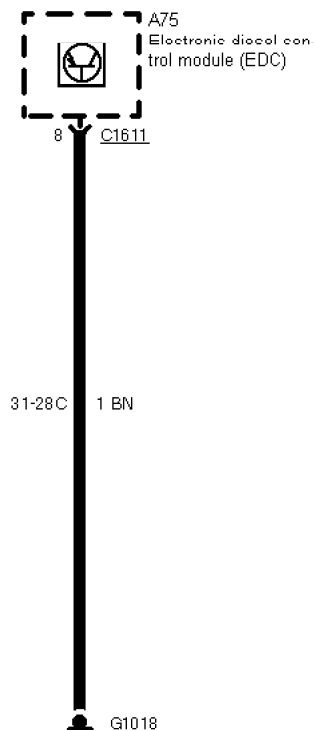




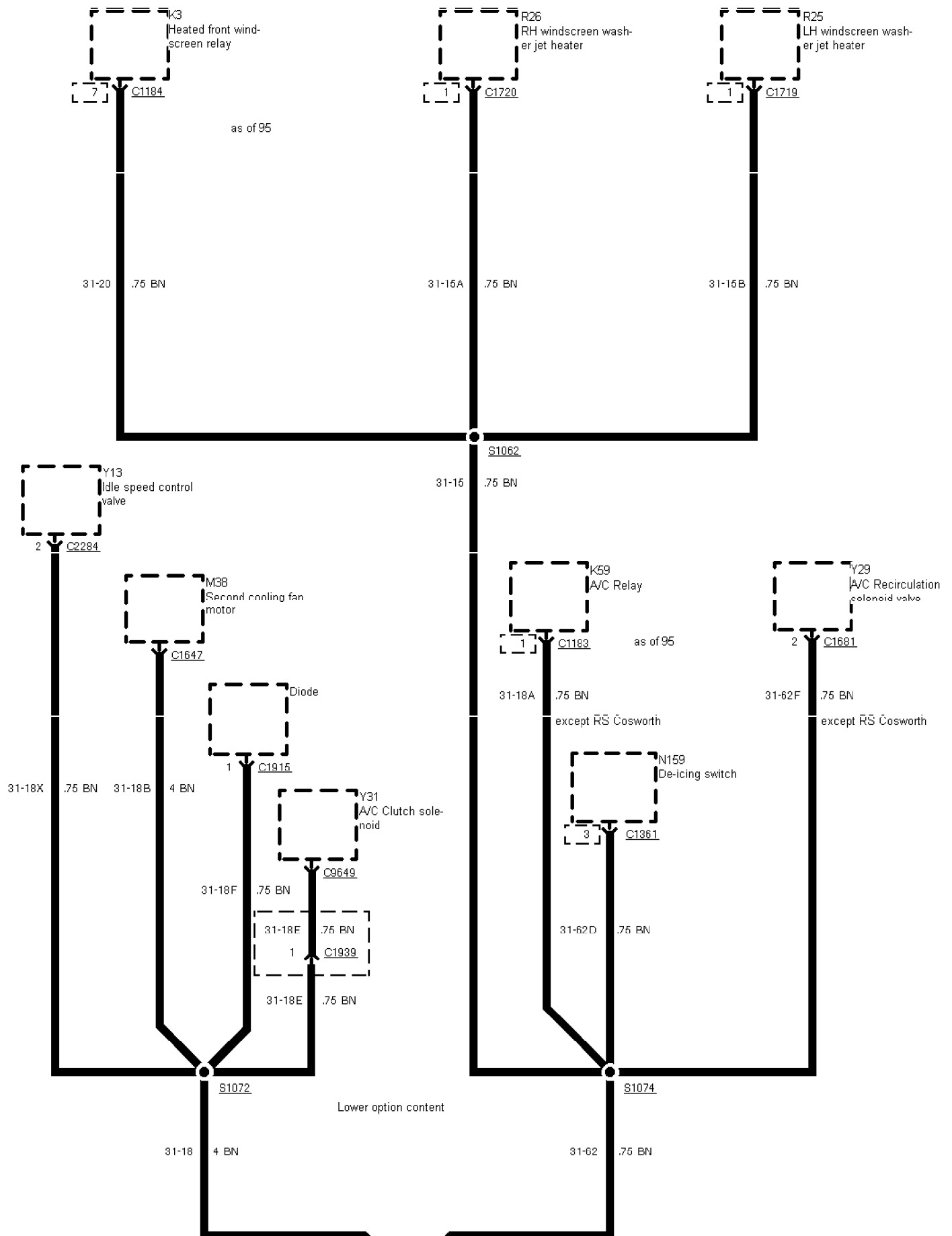
- ◆ → '95
- ◆◆ 95 → '95 ½
- ◆◆◆ '95 ½ →



Earth G1018 Only Turbo Diesel



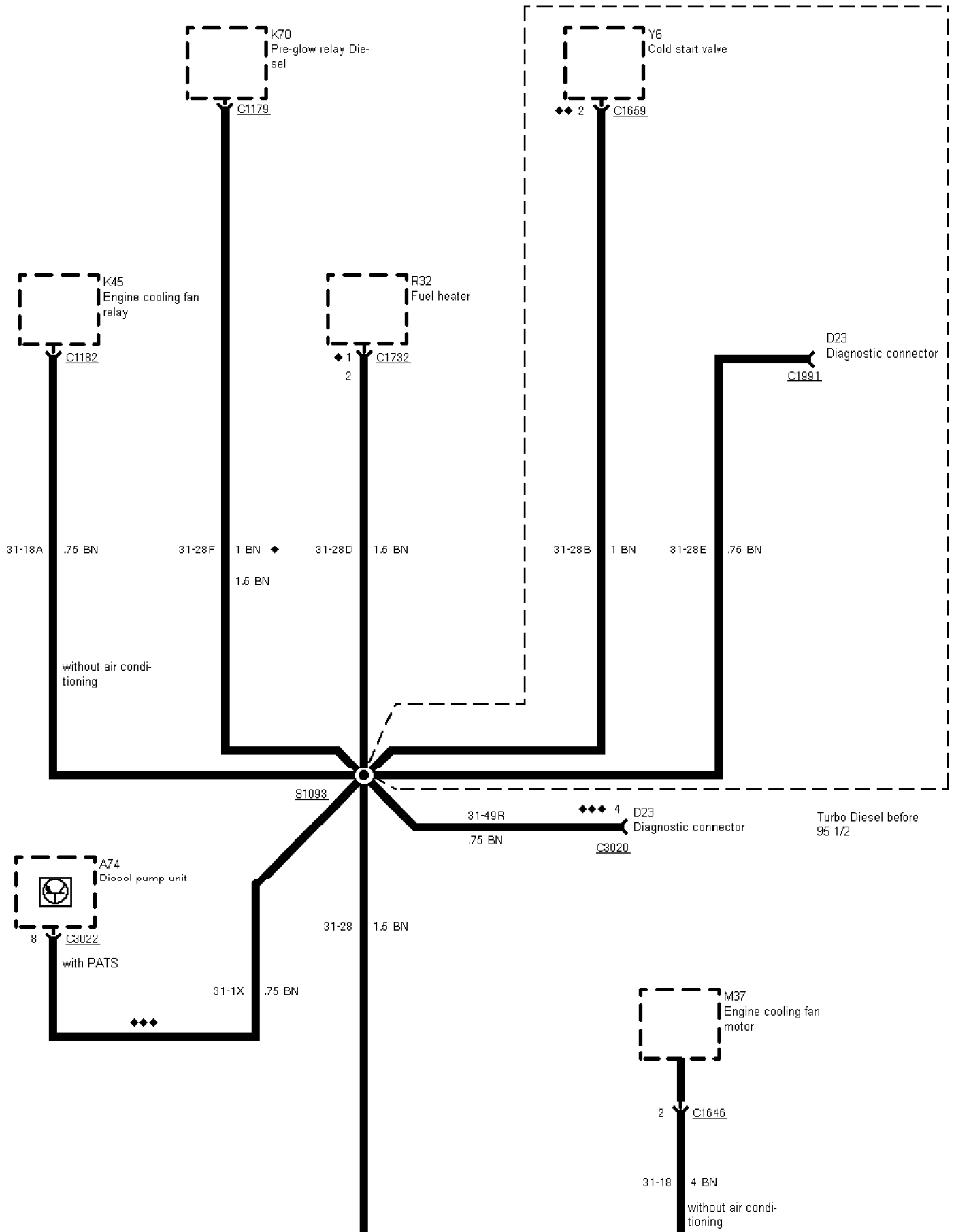
01-04-040 , Earth Distribution , Earth G1019





01-04-041 , Earth Distribution , Earth G1020, Diesel only

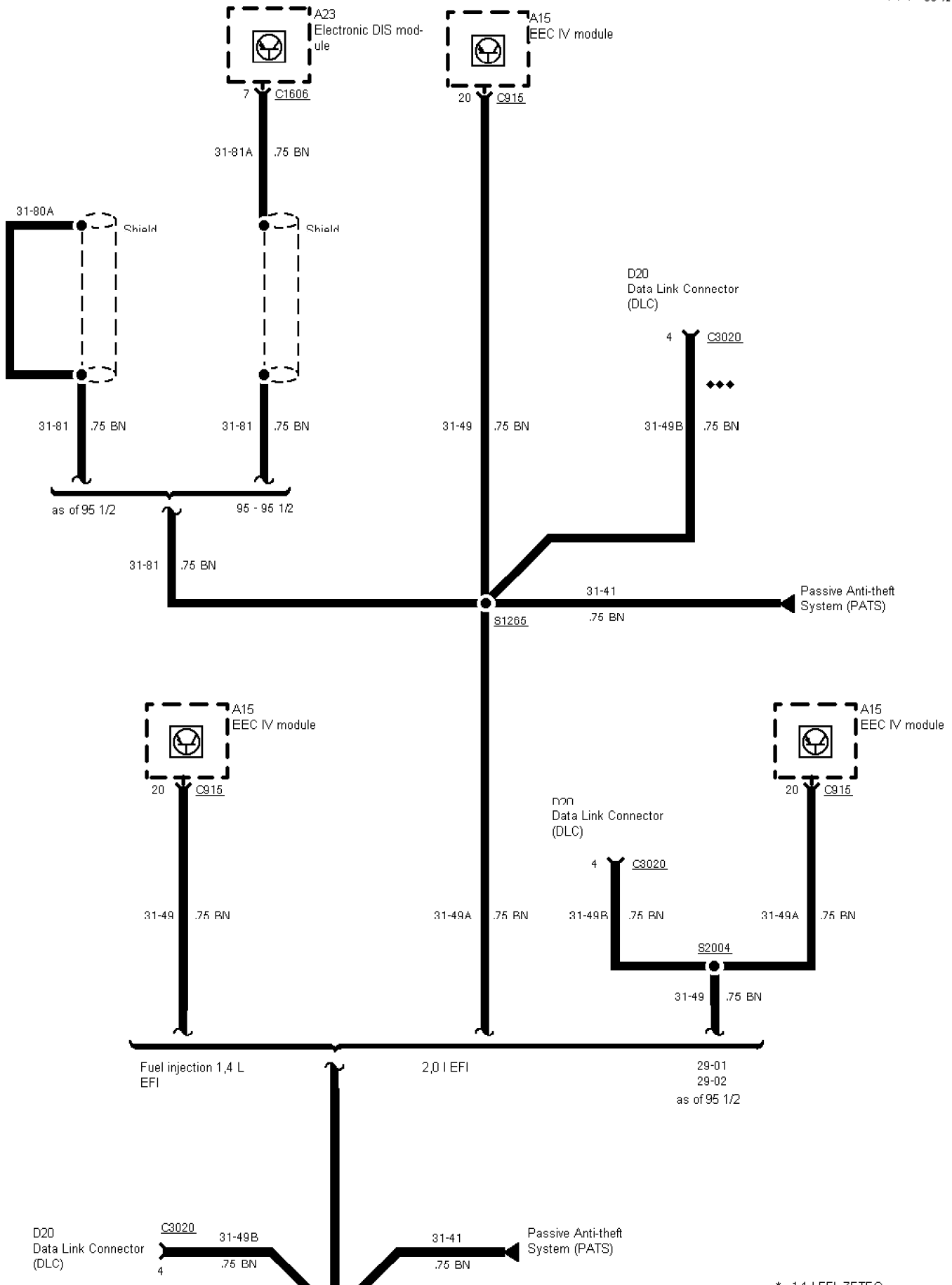
- ◆ → 95
- ◆◆ 95 → 95 1/2
- ◆◆◆ 95 1/2 →



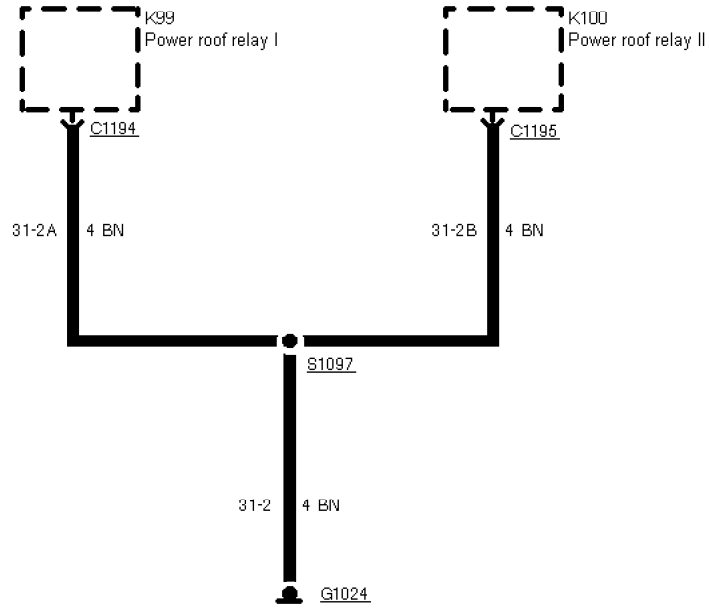


01-04-042 , Earth Distribution , Earth G1022

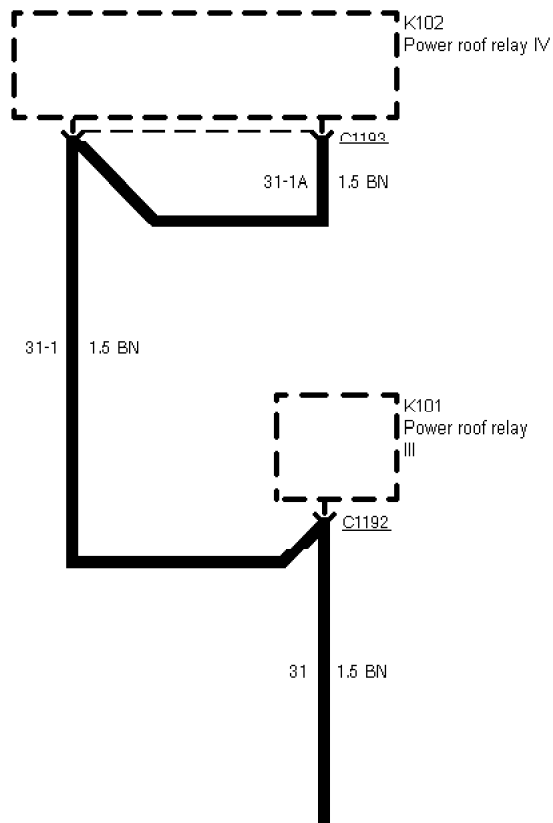
- ◆ → '95
- ◆◆ 95 → '95 1/2
- ◆◆◆ '95 1/2 →



* 1.4 L EFI 75TEC



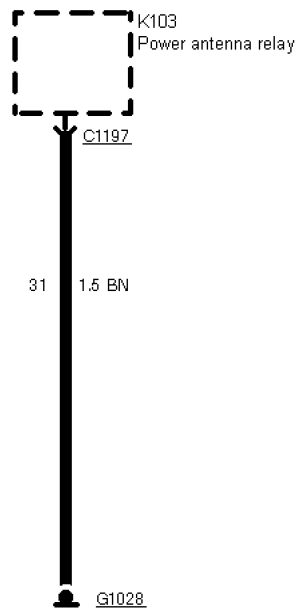
Earth G1025 Cabriolet



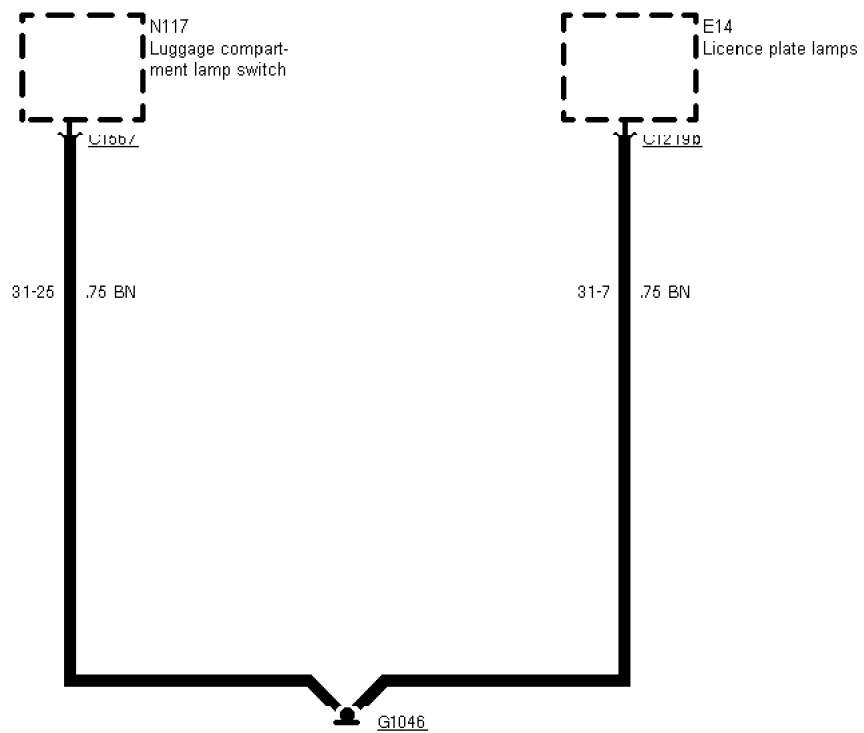


G1025

01-04-044 , Earth Distribution , Earth G1028 Cabriolet

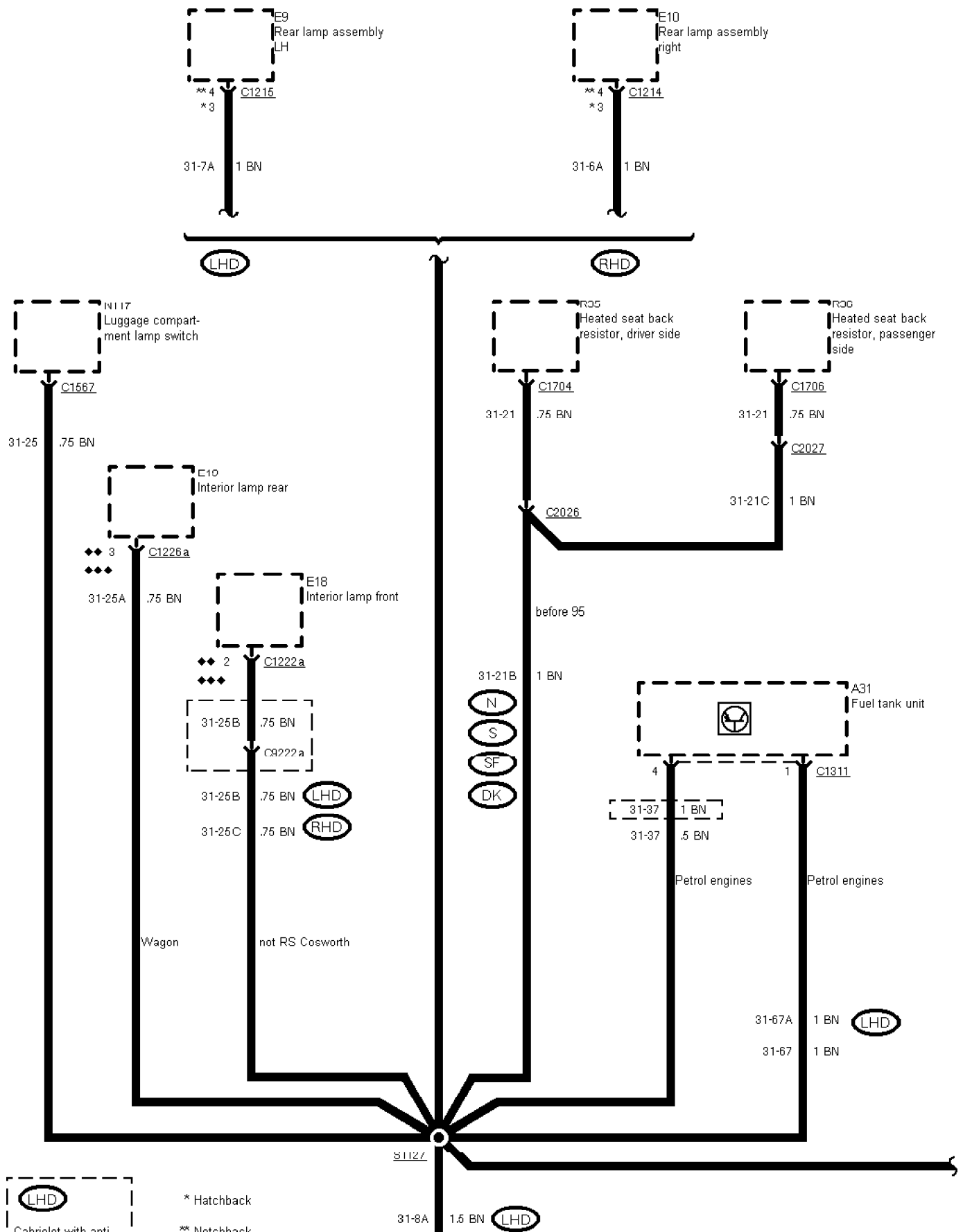


Earth G1046 RS Cosworth



01-04-045 , Earth Distribution , Earth G1046, except van

- ◆ → 95
- ◆◆ 95 → 95 1/2
- ◆◆◆ 95 1/2 →

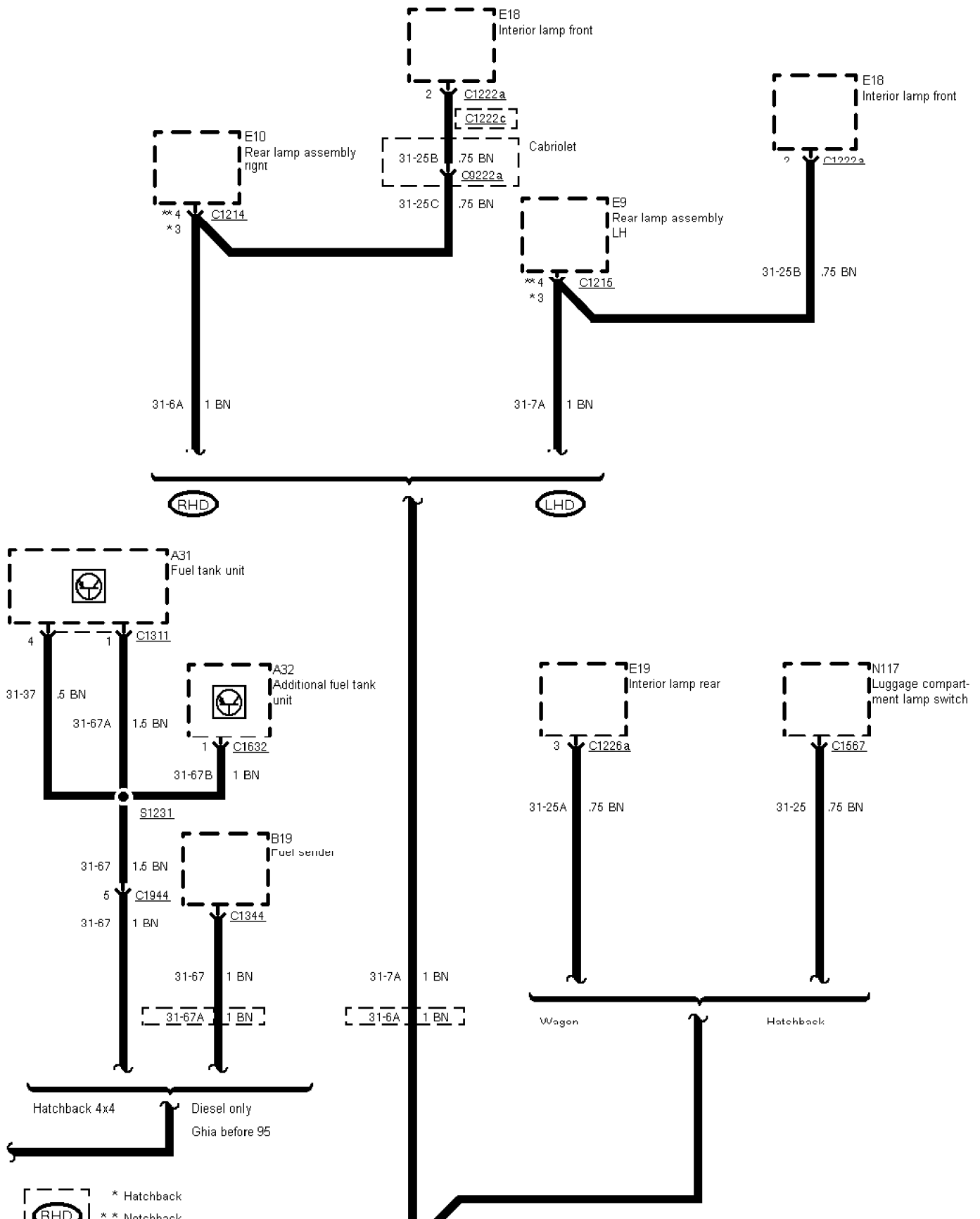


CABRIOLET WITH ANTI-
theft system

INSTRUMENTS
Cabriolet, RS
Cosworth

31-8 | 1.5 BN **RHD**
G1046

01-04-046 , Earth Distribution , Earth G1046, except van Lower option content Diesel/Carburettor models

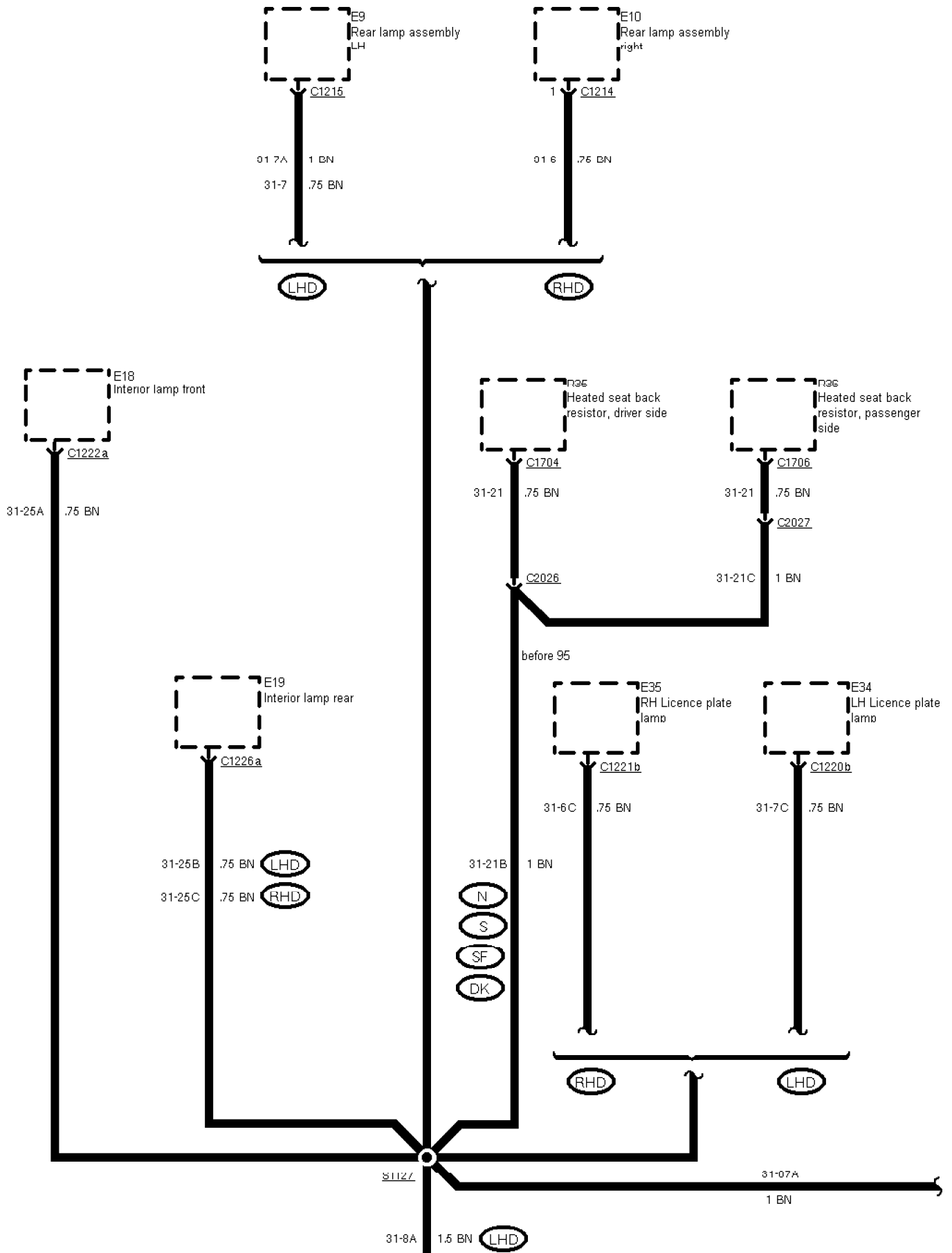





CABRIOLET
Cabriolet, RS
Cosworth



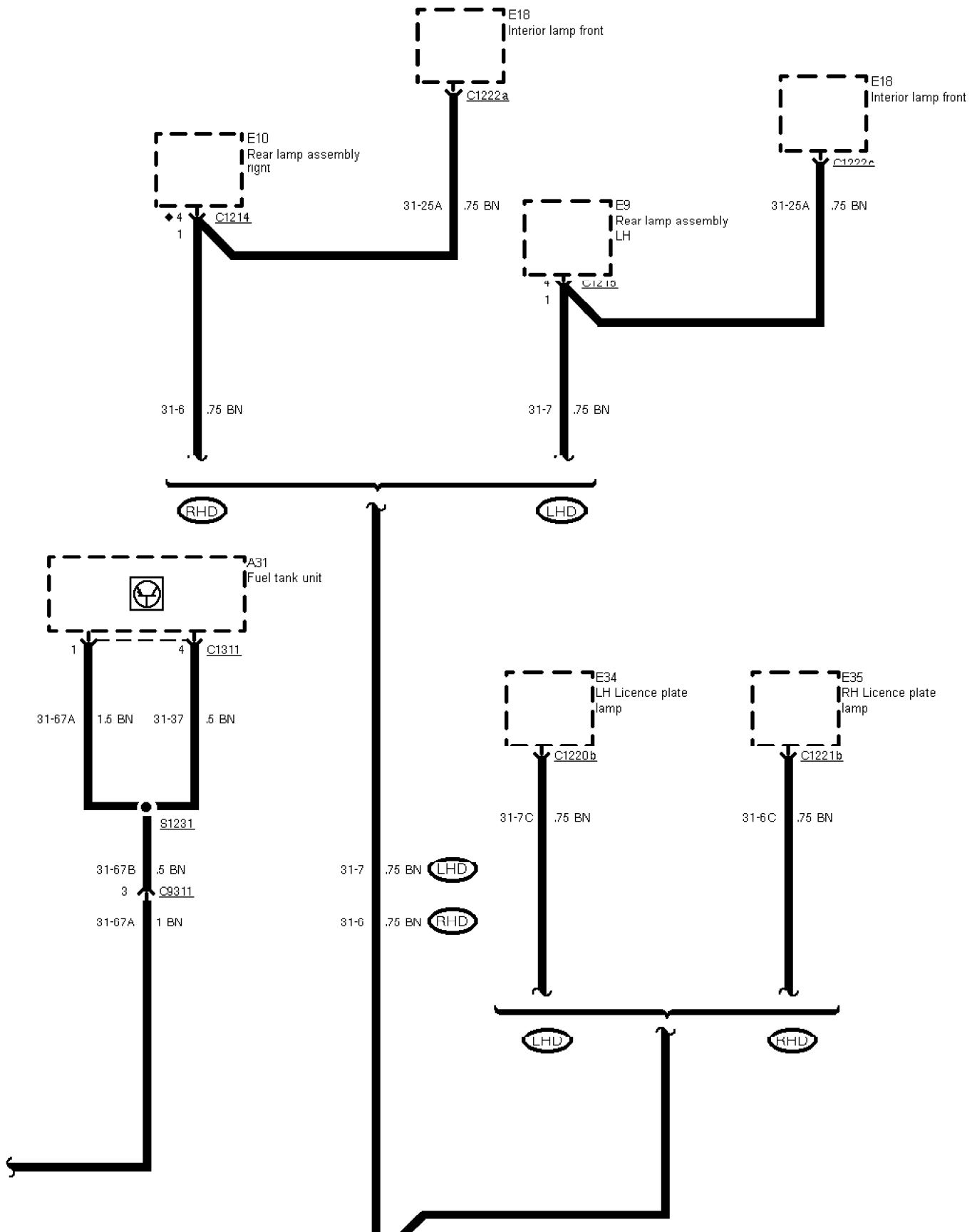
01-04-047 , Earth Distribution , Earth G1046, van



31-8 1.5 BN 
G1046

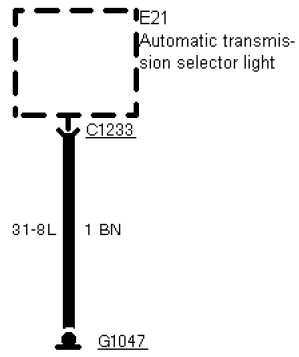
01-04-048 , Earth Distribution , Earth G1046, van Lower option content Diesel/Carburettor models

- ◆ → 95
- ◆◆ 95 → 95 ½
- ◆◆◆ 95 ½ →

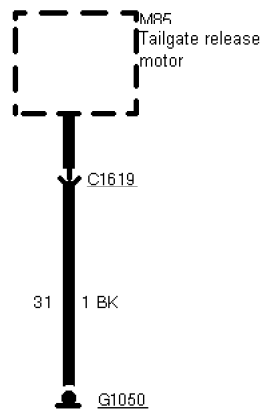




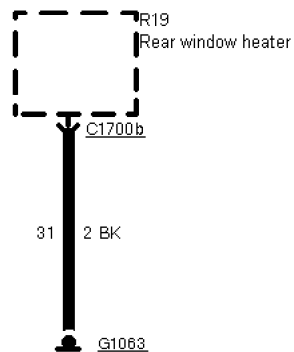
01-04-049 , Earth Distribution , Earth G1047

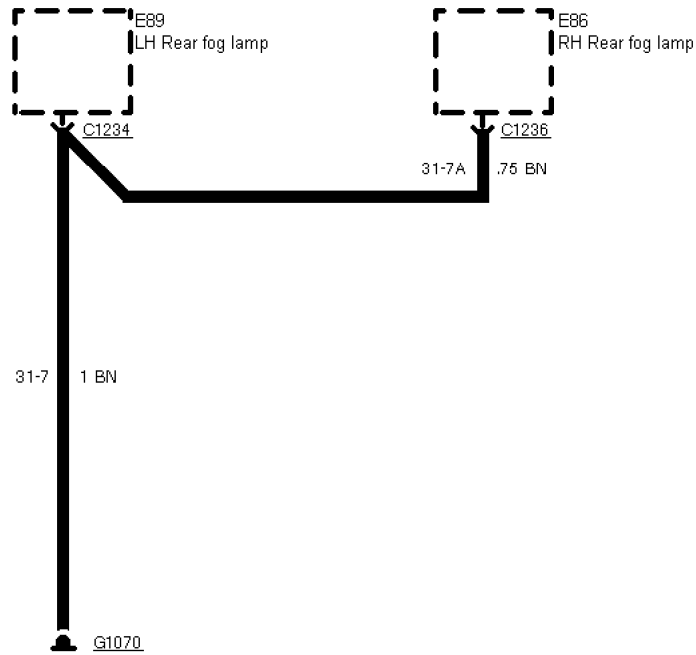


Earth G1050

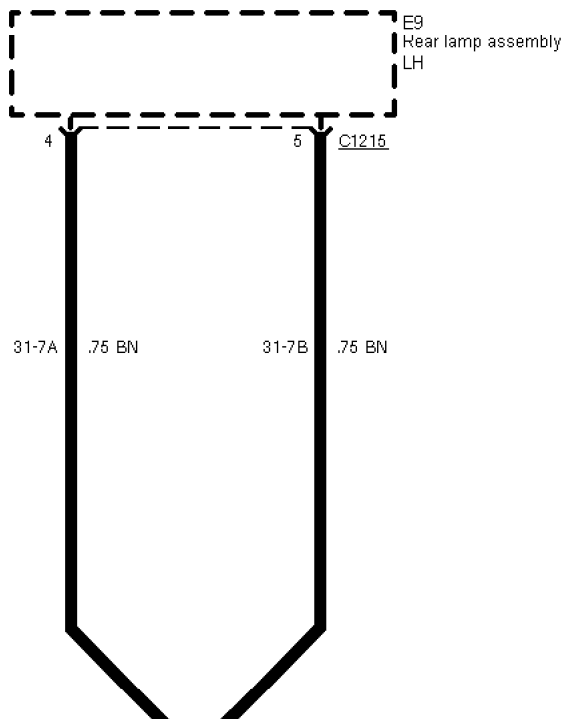


Earth G1063



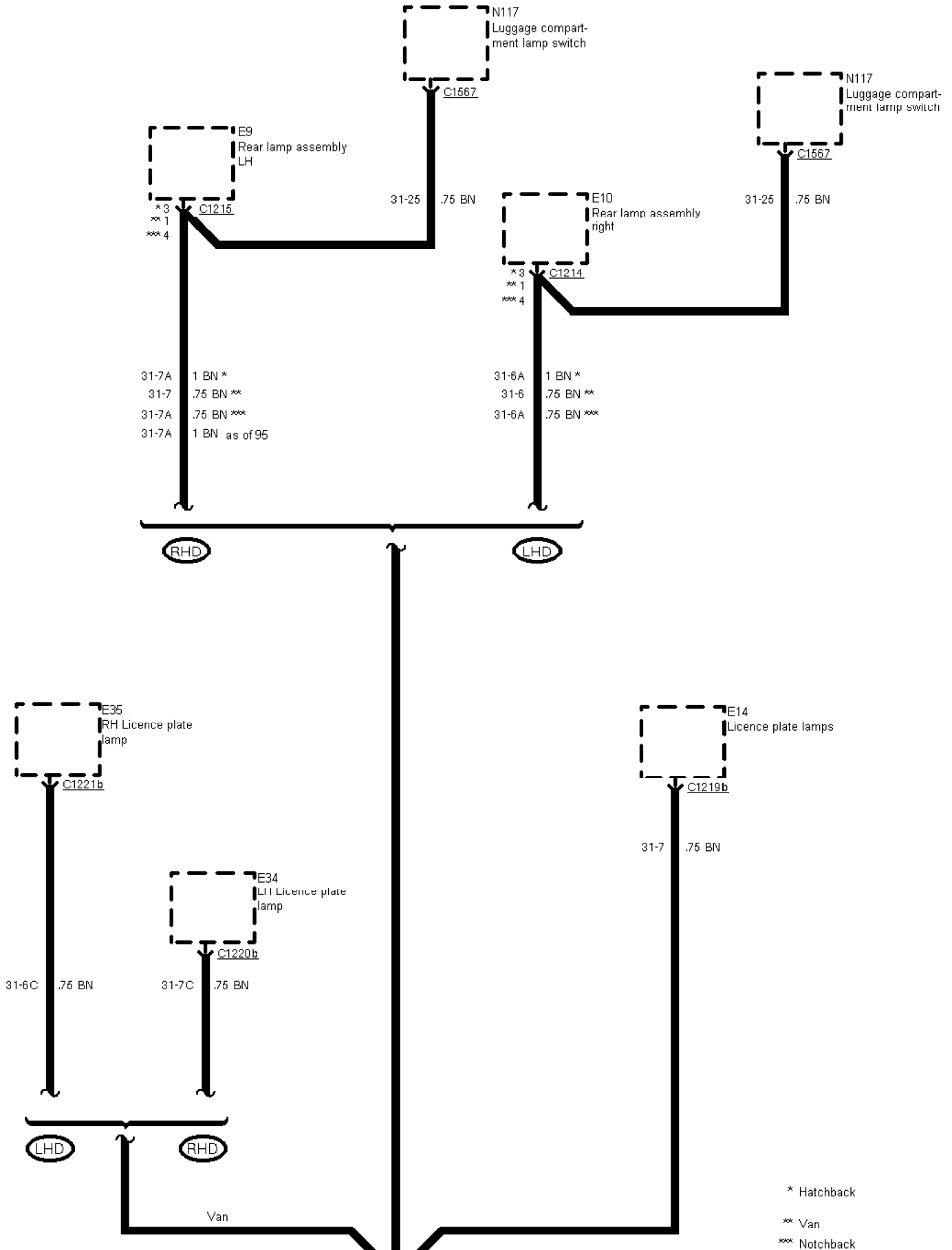


Earth G1072 RS Cosworth





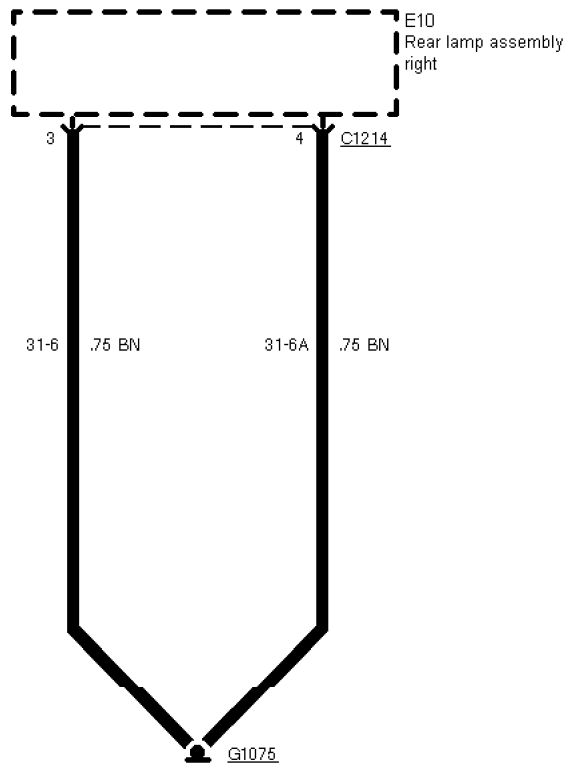
01-04-051 , Earth Distribution , Earth G1072 Except RS Cosworth



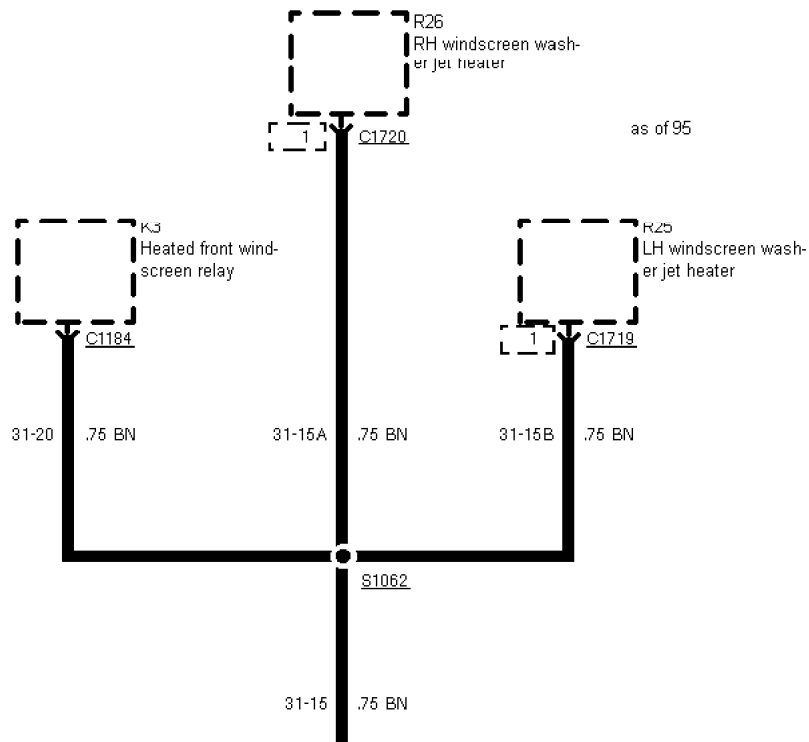


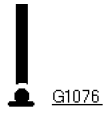
Cabriolet, RS
Cosworth
Wagon

01-04-052 , Earth Distribution , Earth G1075 RS Cosworth



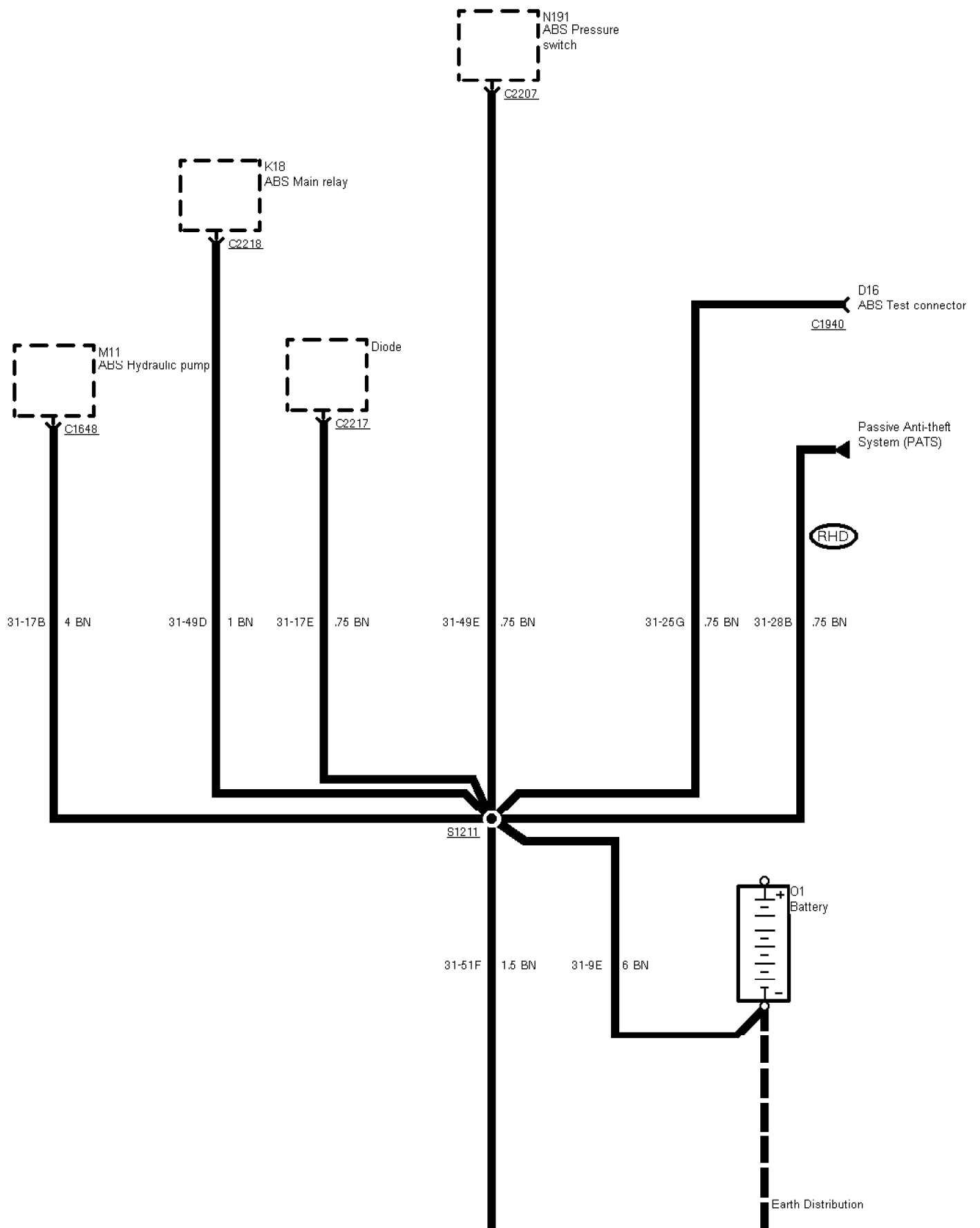
Earth G1075 Without air conditioning





G1076

01-04-053 , Earth Distribution , Earth G1077 RS Cosworth



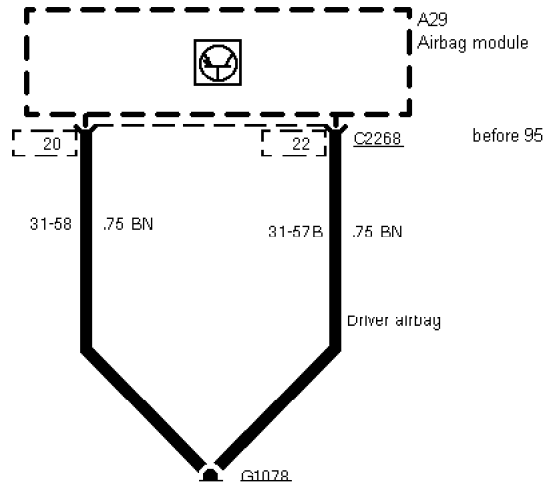


G1077

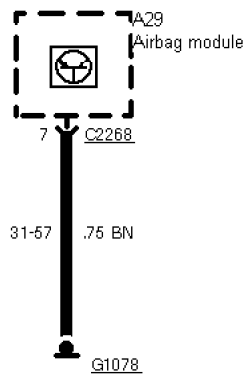


G1004

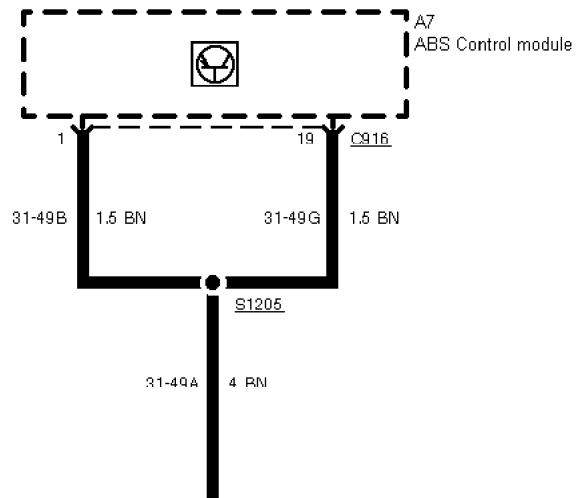
01-04-054 , Earth Distribution , Earth G1078 Except RS Cosworth



Earth G1078 RS Cosworth

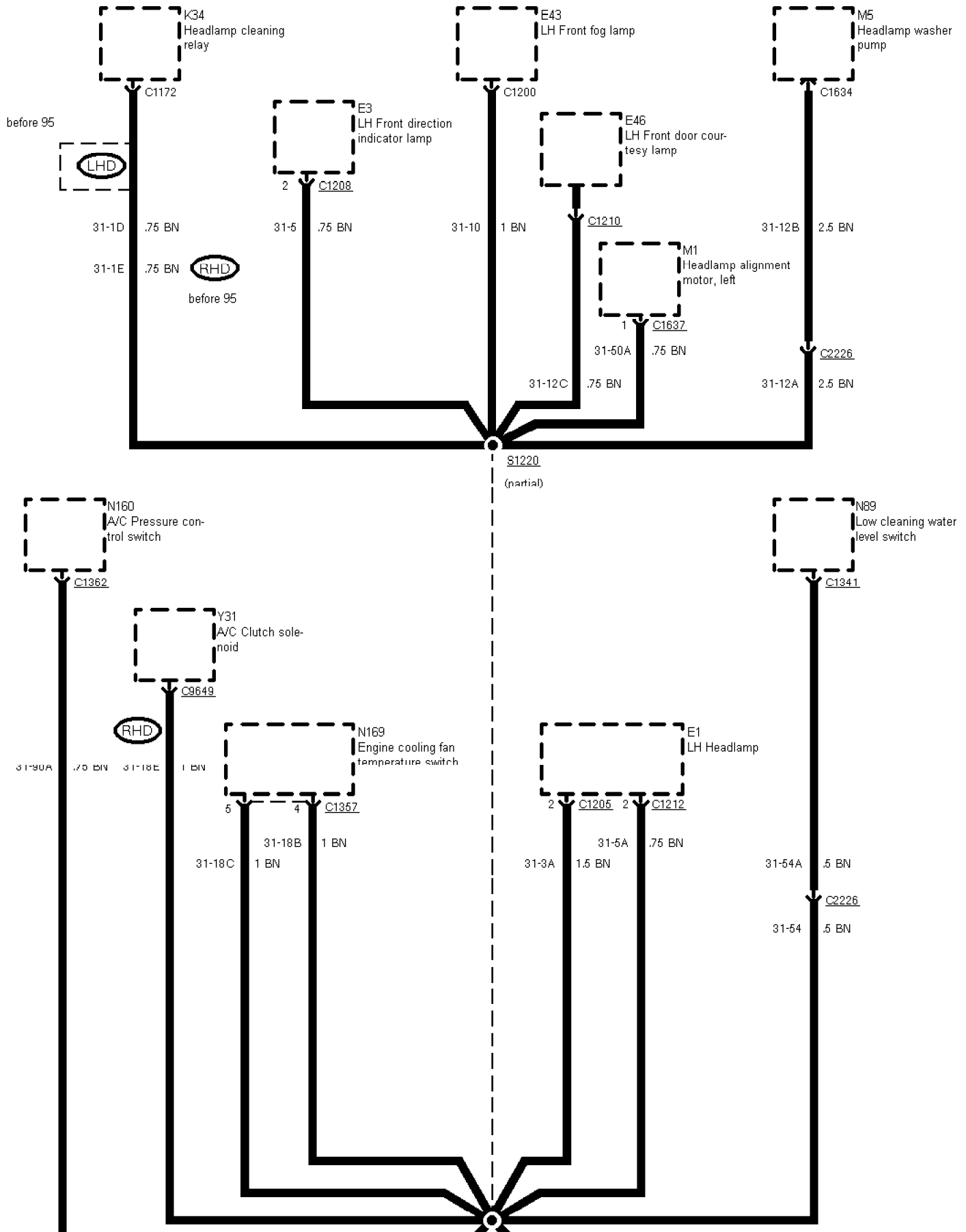


Earth G1078 R3 Cosworth

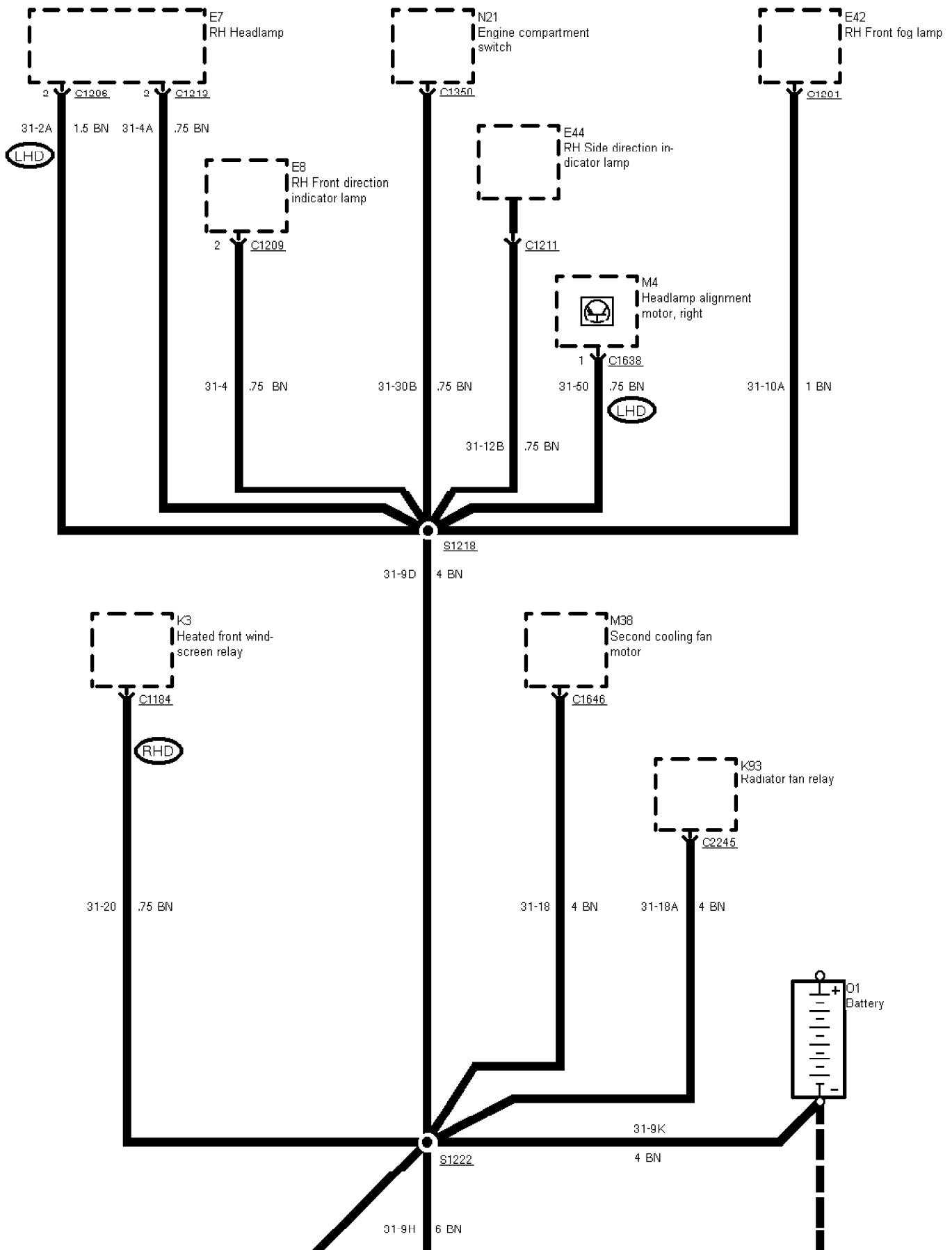




01-04-055 , Earth Distribution , Earth G1090 RS Cosworth



01-04-056 , Earth Distribution , Earth G1090 RS Cosworth

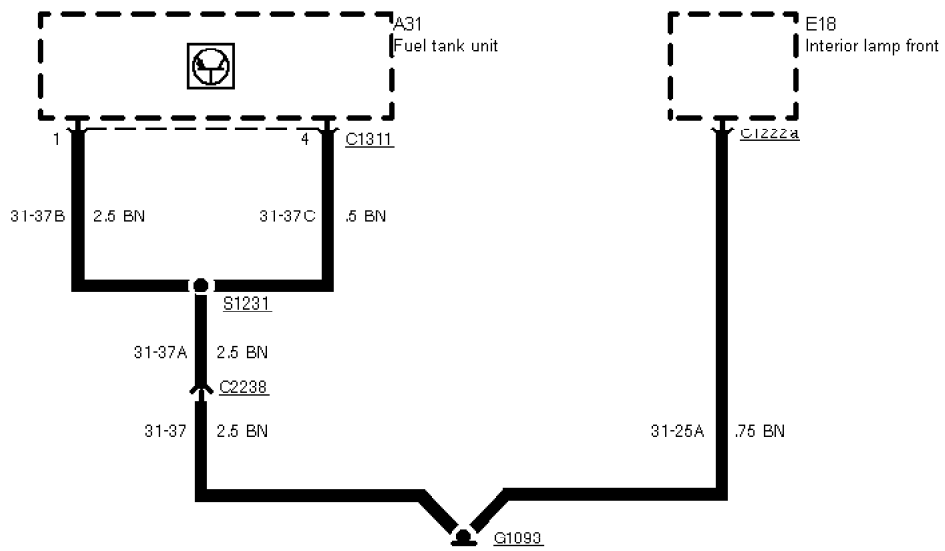


31-9C
4 BN

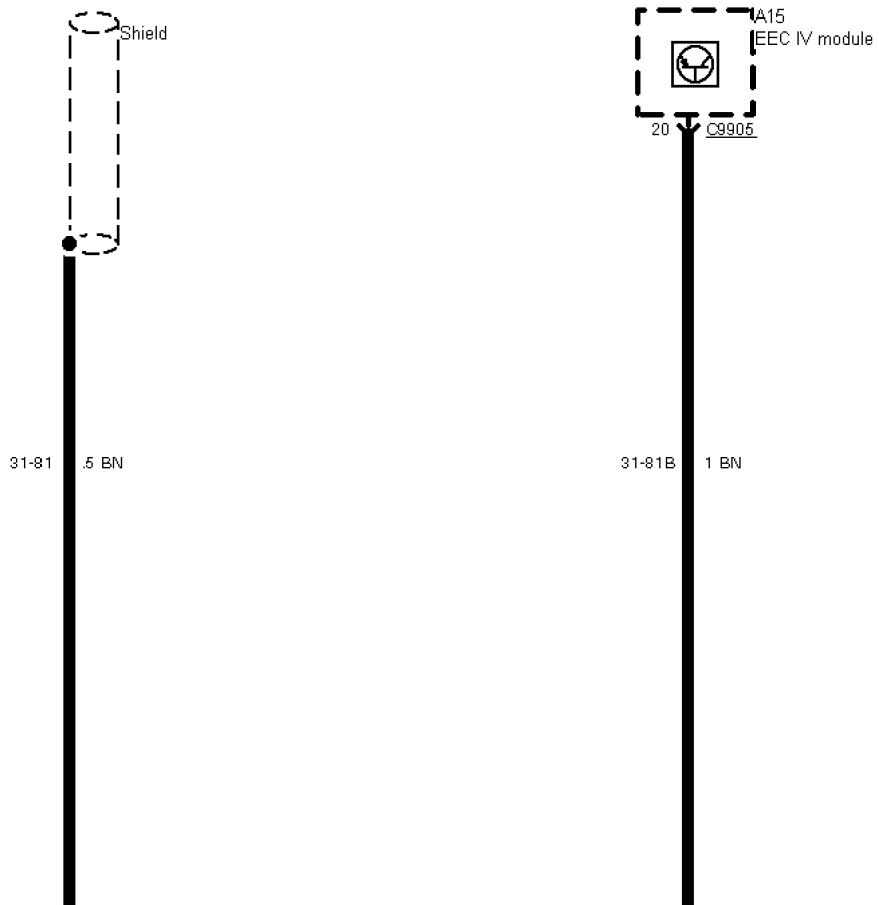
G1090

Earth Distribution
G1004

01-04-057 , Earth Distribution , Earth G1093 RS Cosworth

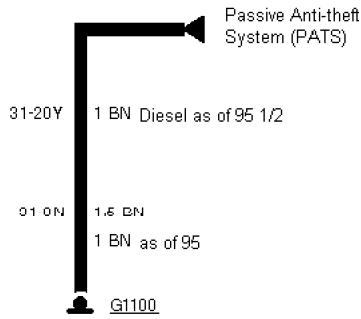


Earth G1096 RS Cosworth

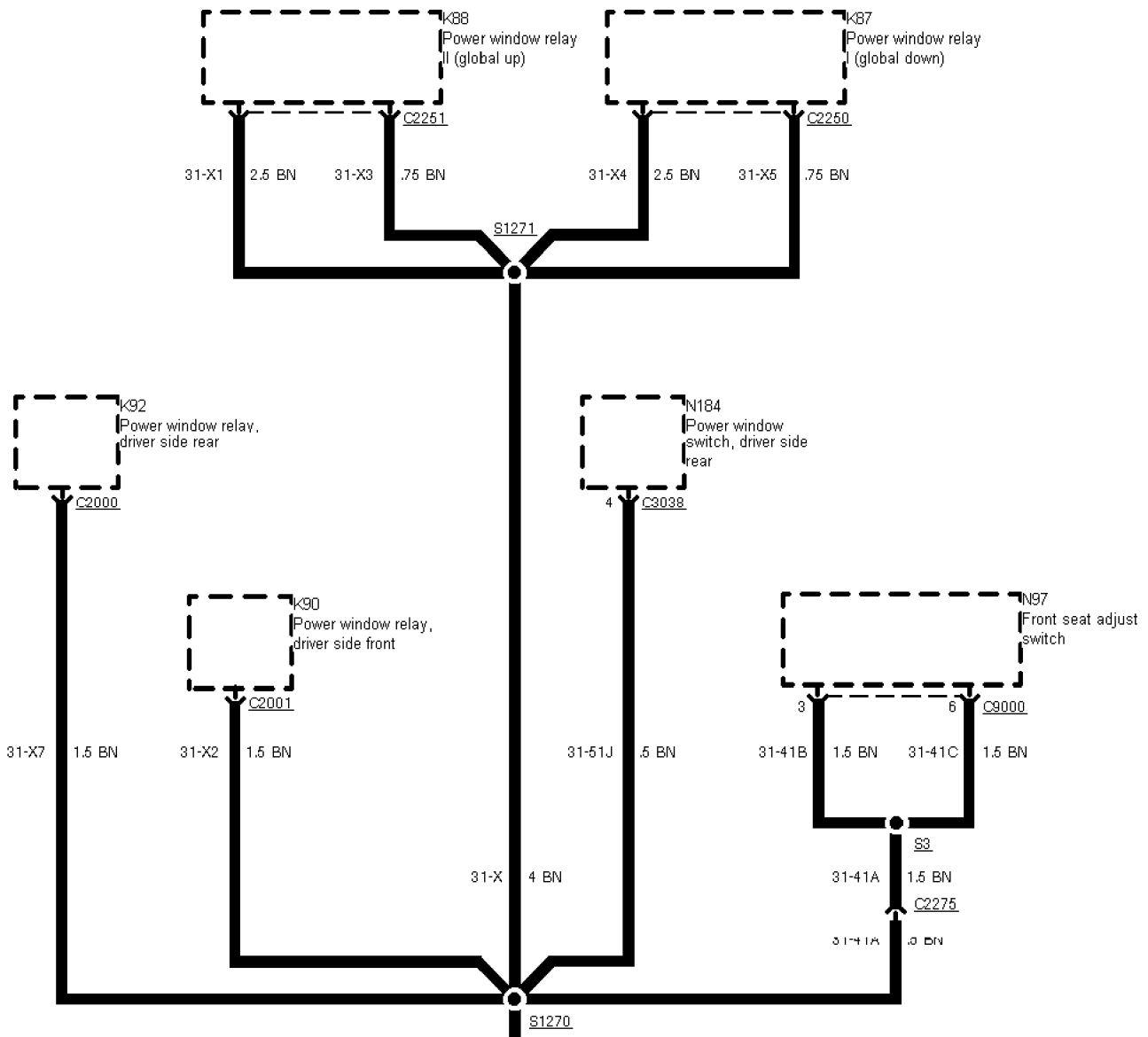




01-04-058 , Earth Distribution , Earth G1100



Earth G1101 Cabriolet, before 95



31-X9 4 BN
G1101

01-04-059 , Earth Distribution , Earth G1104 Cabriolet, before 95

